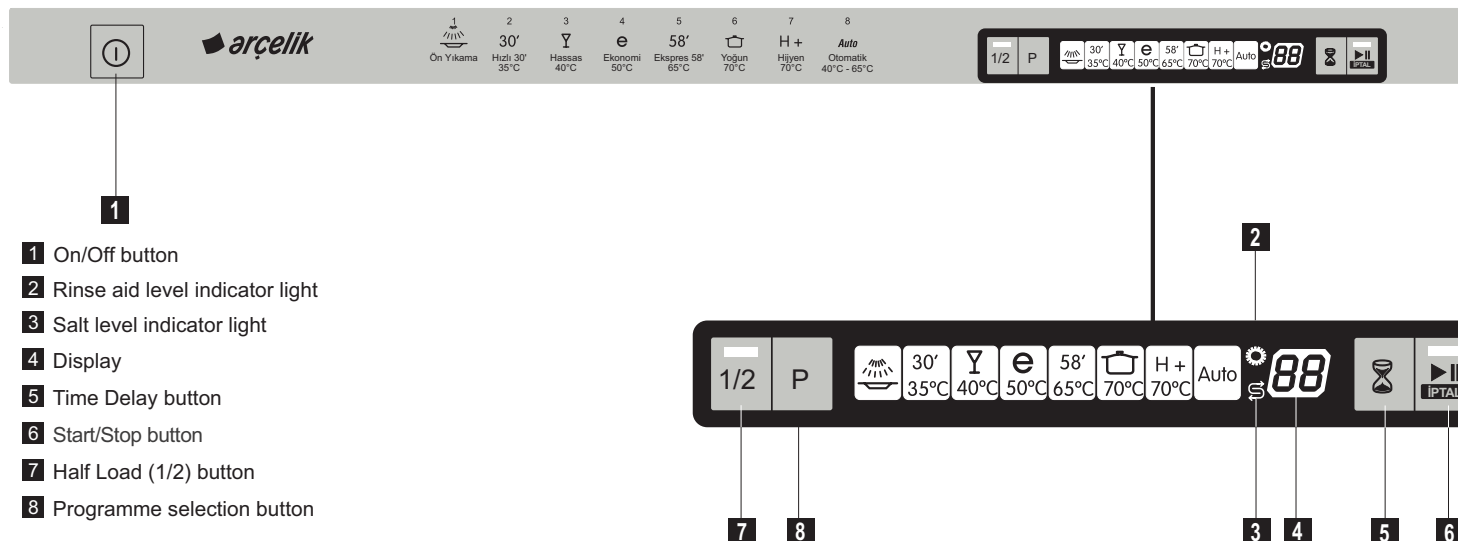


QUICK REFERENCE GUIDE

GB

⚠ Attention

Please read the operating manual prior to operating the machine for the first time.



How to use your dishwasher:

- Open the water tap.
- Plug to the mains.
- Open the door and load the dishwasher. Check if both upper and lower spray arms move freely.
- Pour (Put in) the detergent.
- Push in the on/off button and check that the display lights comes on. Check the salt and rinse aid level indicators before you start the machine. If necessary add salt and rinse aid.
- Use the programme selection button to choose your washing programme. - When there are few dishes, additionally use the Half load button.

- Start the programme with the start / pause button:
- Close the door then programme starts.

⚠ Attention

Avoid opening the door during the washing process. This interrupts the washing process, and hot steam will escape. When the door is closed, the programme will continue.

- An audio signal with an interval of 10 seconds warns you to switch your machine off when the selected washing program ends. This audio signal warns you for a duration of 5 minutes and then turns off.
- Open the door Press the on/off button after the programme is completed. The indicator lights will go off.
- Close the water tap. Pull out the plug.
- Allow your dishes to cool for 15 minutes, with the door open. Unload the dishes. Begin with the lower basket.

PROGRAMME TABLE

Programme number	1	2	3	4 Reference **	5	6	7	8
Programme name	Ön Yıkama Pre-wash	Hızlı 30' Mini 30'	Hassas Delicate	Ekonomi Economy	Ekspres 58' Quick & Clean	Yoğun Intensive	Hijyen Baby Care	Otomatik Auto
Cleaning temperature	-	35°C	40°C	50°C	60°C	70°C	70°C	40°C-65°C
Suited to	Used dishes which are to be washed at a later time	Dessert and coffee dishes with food leftovers which are not dried on	Glasses, dessert and coffee dishes with food leftovers which are not dried on	Normally dirty dishes with starch containing food leftovers which are not dried on	Normally dirty dishes with food leftovers which are not dried on	Especially dirty dishes with food leftovers which are dried on	Especially for babies' utensils which need to be cleaned at particularly high temperatures for hygienic purposes. For daily use: dishes with particularly stubborn dried-on food leftovers.	Normally dirty dishes with food leftovers which are dried on
Degree of dirtiness	-	Few	Few	Medium	Medium	High	High	Medium to high
Detergents								
15 cm ³	-	x	-	-	-	-	-	-
15-25 cm ³	-	-	x	x	x	x	x	x
+ 5 cm ³	-	-	-	x	x	x	x	-
Programme process	Pre-wash ↓ End	35°C wash ↓ Cold rinse ↓ Hot rinse ↓ End	Pre-wash ↓ 40° wash ↓ Cold rinse ↓ Hot rinse ↓ Dry ↓ End	Pre-wash ↓ 50° wash ↓ Cold rinse ↓ Hot rinse ↓ Dry ↓ End	60° wash ↓ Cold rinse ↓ Hot rinse ↓ Dry ↓ End	Pre-wash ↓ 70° wash ↓ Cold rinse ↓ Hot rinse ↓ Dry ↓ End	50°C Pre-wash ↓ 70° wash ↓ Cold rinse ↓ 50°C rinse ↓ Hot rinse ↓ Dry ↓ End	The programme process is adapted to the degree to which the dishes are dirtied
Duration (min)	15	30	75	155	58	134	124	60-157
Energy (kWh)	-	0,80	0,90	1,05	1,28	1,28	1,97	0,96-1,44
Water (l)	4	10,2	13,2	13	10,2	15,4	17,8	10,8-14,4

The consumption values shown in the table were determined under standard conditions. For this reason, deviations are possible under practical conditions.

** Reference programme for test institutes

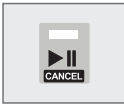
The tests in accordance with EN 50242 must be carried out with a full salt container of the water softener, a full reservoir for the rinse aid and the testing programme.

Function buttons



On/off button

You turn your dishwasher on / off with this button. When turning on, the indicator light for the last used programme will light up.



Start/Pause button

You use this button to start the selected programme; the light on the button lights up. Stop the programme with the start / pause button if you would like to open the door once the dishwasher's washing programme is running.



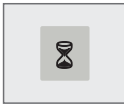
Half Load (1/2) button

When there are few dishes, you press this button after pressing the programme selection button. When turning the dishwasher on, the indicator light on the button lights up. This function helps you to save water and energy.



Display

Water hardness level, Time Delay for the selected programme and warning message are displayed.



Time Delay

This option enables you to start the selected programme with a delay of 1 – 24 hours. Time Delay is adjusted by pressing plus delay button near the display. After adjusting the required Time Delay, press Start / Stop button and close the door. At the end of the delay set, the programme starts automatically. During a programme, Time Delay option does not function.



Warning message

The machine starts with its normal cycle and once no water in the machine, the warning message 'E1' is displayed. When the water comes into machine again, the warning message is disappeared.

1. Check whether the water supply has been cut off.
2. Check whether the water tap is turned on.
3. If the water supply has not been cut off and the water tap was not accidentally turned off, please call customer service.



Programme selection buttons

Use the programme selection button to select the desired programme. The corresponding programme light lights up.

How to cancel the washing programme

To cancel a programme while the machine is operating: Press start/stop button. The indicator light will go off. Press start/stop button for 5 seconds again. The indicator light will start flashing. Close the door. The machine will drain the water inside the machine for 45 seconds. The programme is cancelled when start/stop indicator light goes off. Then, you can choose and start a new programme.

! Important: Depending on the stage of the programme you have cancelled, there may be detergent residue or rinse aid inside the machine and on the load. Make sure the items in the dishwasher are not used before washing properly.

How to change the washing programme

To change the programme selection while the machine is operating open the door. Press start/stop button. The indicator light will go off. Select the new programme. Press start/stop button. The indicator light will be on and close the door new programme will start.

! Important: The new programme will NOT start right from the beginning. It will start from the stage last carried out by the previous programme selection.

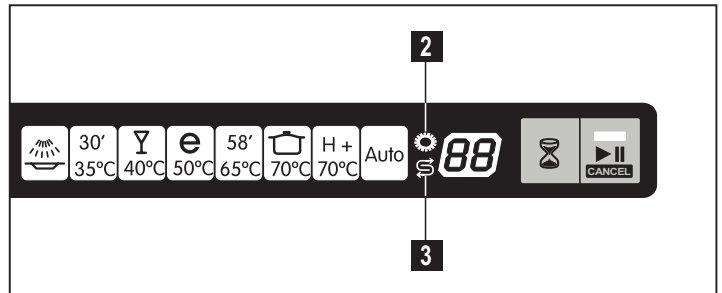


Attention

- Depending on the length of the terminated programme, detergent and rinse aid may still be in the dispensers.

Control indicator lights

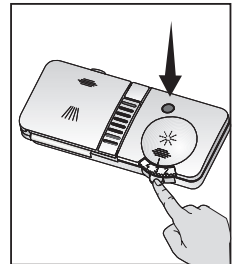
2 Rinse aid level indicator light



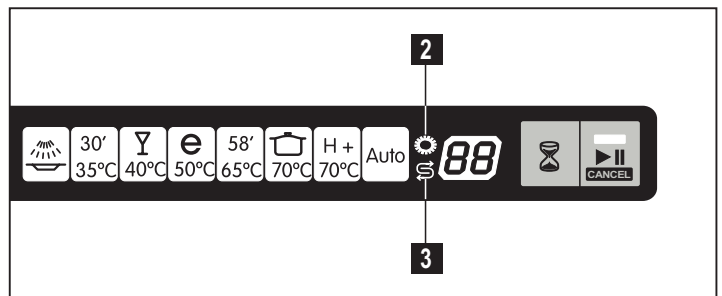
If this indicator light comes on, you have to refill rinse aid.

You can also tell whether rinse aid must be refilled by looking at the rinse aid dispenser. When the visual fill indicator is dark, there is enough rinse aid in the dispenser.

When the colour is light, open the dispenser and refill rinse aid.



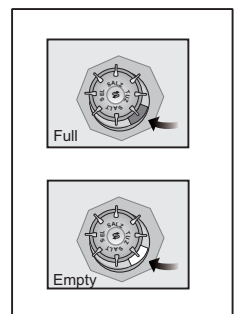
3 Salt level indicator light



When this indicator light comes on, you must refill special salt.

In machines which do not possess an electrical salt indicator, the salt content can be read on the container for the salt. When the visual fill indicator is dark, there is enough salt in the container.

When the colour is light, open the container and add dishwasher salt.





*Dishwasher
Instruction Manual*

Dear customer,

Please read carefully right through this instruction booklet before installing or operating your dishwasher. The following instructions should prevent the risk of personal injury and/or damage to the appliance.

Please keep these documents in a safe place for later reference.

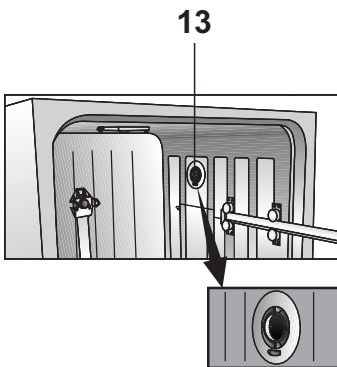
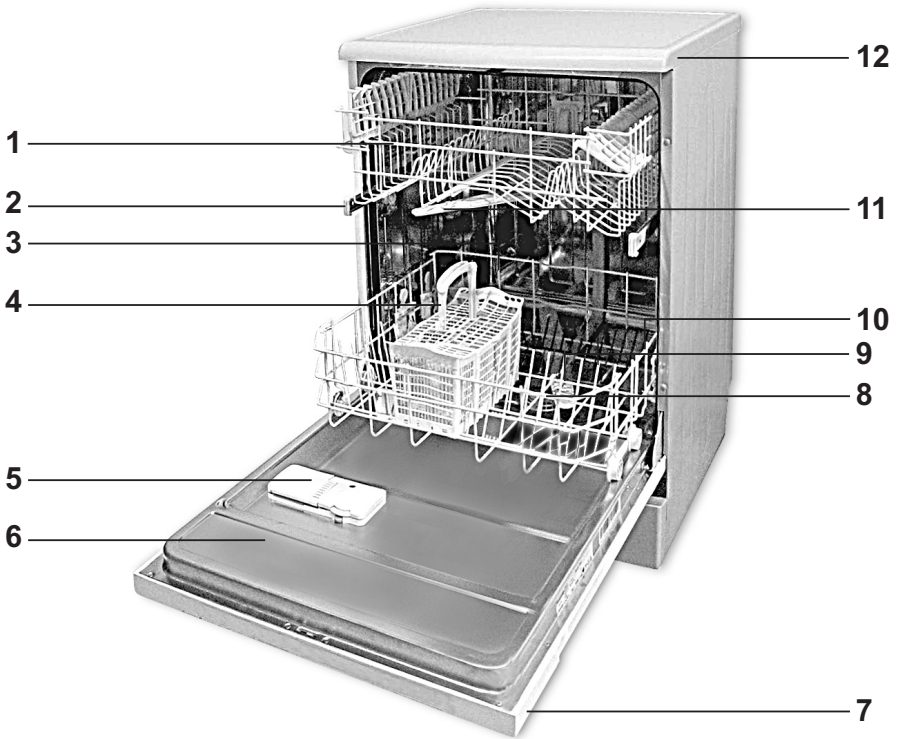
This operating manual has been written for several different machines, and some of the features mentioned here may not apply to your particular model.

TABLE OF CONTENTS

1 Getting To Know Your Machine	3	6 Troubleshooting:	23
View of the Machine	3	What to do if the dishwasher will not run	23
Technical Specifications	4	The cleaning results are unsatisfactory	23
2 Safety Instructions	4	Service	28
Before Installation	4		
Before First Use	4		
Child Safety	4		
For daily operation	5		
Problems	5		
What should not be washed in your dishwasher	5		
3 Directions for Assembly	6		
Safety notes for installation	6		
Installing Your Dishwasher	6		
Water connection	7		
Connect water inlet hose	7		
Water drainage	8		
Electrical connection	8		
Disposal	8		
4 Using Your Dishwasher	9		
Filling the dishwasher salt	9		
When operating for the first time:	10		
Filling the Rinse Aid Dispenser	11		
Filling the Detergent Dispenser	11		
Detergent	12		
Multipurpose Detergents	13		
Loading the dishwasher	13		
Suggestions for loading the dishwasher	14		
Loading suggestions	18		
5 How to clean your dishwasher	21		
Cleaning the filters	21		
Cleaning the spray arms	22		

1 Getting To Know Your Machine

View of the Machine



1. Upper dish basket with shelf
2. Guide rail for the upper dish basket
3. Salt container
4. Cutlery basket
5. Detergent dispenser
6. Door
7. Control panel
8. Filters
9. Lower sprayer arm
10. Lower basket
11. Upper sprayer arm
12. Housing (depends on the model)
13. Turbo fan heat drying system (depends on the model)

Technical Specifications

Permitted water pressure: 0,3 –10 bar (= 3 – 100 N/cm² = 0,01-1,0Mpa)

Electrical connection: 220-240 Volts, 10 Amps (see type plate)

Output: 1900-2200 W

Heat output: 1800 W

This device corresponds to the following EU directives:

2006/95/EC: Low Voltage Directive

2004/108/EC: EMV Directive

DIN EN 50242: Electrical dishwasher for home use Testing procedures for practical service conditions

Because we continually strive to improve our products, we may change

our specifications and designs without prior notice.

Note for Testing Institutes

The necessary information for performance testing will be provided upon request. The request can be done by e-mail through:

dishwasher@standardloading.com

Please do not forget to write the model code and stock code information of the appliance besides your contact information in the e-mail. The model code and stock code information can be found on the rating label, which is placed on the side of the door.

2 Safety Instructions

Before Installation

Check the appliance for transit damage. Never install or use damaged machines. If in doubt, contact your supplier.

Before First Use

- See Notes for Installation on page 6.
- Have the grounding system installed by a qualified electrician. The manufacturer cannot be held liable for any damage caused by operating the appliance without proper grounding.
- Before operating the system, please check that the information on the type plate corresponds to the information on your power supply.
- The dishwasher must be

disconnected from the mains during installation.

- The appliance must not be connected to the mains using an extension cable. Extension cables do not provide the necessary safety (e.g. danger of overheating).
- Always use the original plug delivered with the appliance.
- The plug must be freely accessible after the appliance has been installed.

Child Safety

- Do not allow children to play with the appliance.
- Dishwasher detergents are caustic and may cause injury to the eyes, mouth and throat. Please note the safety instructions provided by the

- manufacturers of the detergents.
- Never leave children unsupervised while the appliance is open, as the appliance may still contain detergent leftovers.
- The water in the dishwasher is not drinking water. Danger of caustic injuries.
- Always place long and sharp/pointed objects (e.g. serving forks, bread knives) into the cutlery basket with the pointed end down or flat on the upper basket to avoid possible injuries.

For daily operation

- Use your appliance only for the following domestic uses: Washing household dishes.
- Do not use chemical solvents in the appliance; there is a danger of explosion.
- Do not sit or stand on the opened door or place other objects on it. The appliance may tip over.
- Do not open the door while the appliance is running, as hot water or steam may escape.
- Do not leave the door open – an open door can be a hazard.

Problems

- Repairs and modifications to the appliance may only be carried out by qualified customer service personnel.
- In the event of a problem, or before performing a repair, disconnect the appliance from the mains supply:
 - disconnect the appliance by pulling out the mains plug
 - shut off the power.

- Do not pull on the cable – pull on the plug. Turn off the water supply tap.

What should not be washed in your dishwasher

- Rust sensitive steel parts
- Cutlery with wooden or horn handles
- Cutlery with mother of pearl or porcelain handles
- Non heat resistant plastic parts
- No glued dish or cutlery parts
- No items made out of copper, tin or aluminium
- Sensitive decorative glasses and porcelain parts
- Lead crystal glasses
- Art and crafted articles
- Aluminium and silver tend to discolour
- Glass and crystal articles may lose their shine over time
- Sponges and dishcloths

Note

Do not wash items soiled with cigarette ash, candle wax, varnish, paints or chemicals.

Recommendation:

When buying new dishes, note whether they are suitable for the dishwasher. (marked as dishwasher proof)

3 Directions for Assembly

Safety notes for installation

Prior to installing and using your appliance, please check it for possible transit damage.

If the appliance is damaged, please contact your supplier.

Never install or use a damaged appliance.

The following directions must be followed to connect the dishwasher properly.

- Before operating your dishwasher, please ensure that the information on the type plate corresponds to the current and voltage of your power supply.
- The appliance may only be connected using a properly grounded socket. Ensure that the appliance is grounded according to regulations.
- The grounded socket must be easily accessible and close to the appliance.
- Do not use extension cables or multiple adapters, as this can lead to overheating, which can be a fire hazard.
- Hardwiring may only be carried out by a qualified electrician.
- Check the power cable, the water inlet hose and the drainage hose. Damaged parts may only be replaced by customer service personnel or by a qualified electrical service expert.

Installing Your Dishwasher

- Choose a suitable location for your dishwasher. Take care to ensure that the appliance is stable on a level surface.
- Unevenness in the floor can be equalised by adjusting the screw feet. When the appliance is standing correctly, the door can be closed without difficulty.
- Water inlet and drainage hoses must be positioned so that they can move freely without bending or squeezing.
- The appliance may not be installed in a room where the temperature is below 0° Celsius.

Water connection

- There are two different types of water inlet hoses:
 - Cold water inlet hose (up to 25°C)
 - Hot water inlet hose (up to 60°C) please check which one is applicable to your model.

If you are willing to connect your machine to natural energy resources or to the central hot water supply, first check out whether your water inlet hose type is suitable by checking the temperature values written on the hose. If your hose is not suitable, apply to your authorized service to change the hose.

- The dishwasher may not be connected to open warm water devices or flow-through water heaters.

Permitted water pressure:

Lowest permitted water pressure: 0.3 bars = 3 N/cm² = 30 kPa

When the water pressure is below 1 bar, please contact your technician.

Highest permitted water pressure: 10 bar = 100N/cm² = 1Mpa

When the water pressure is above 10 bars, a pressure reduction valve must be installed (available in trade supply stores).

Connect water inlet hose

Ensure that the water inlet hose is not bent or squeezed. Do not install a used hose set.

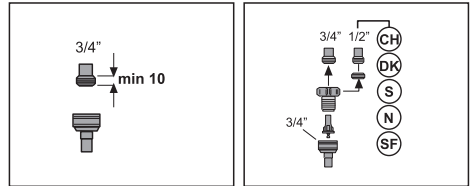
Use a screw-on hose connector to connect the water inlet hose to a water

tap with a 3/4 inch external thread. If required, use a filter insert to filter deposits from the pipes.

Check that the connection does not leak.

Important

For safety reasons, turn off the tap after every rinse process.



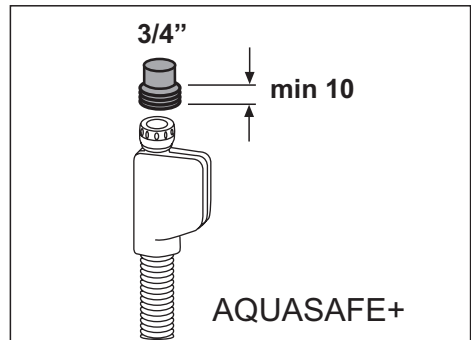
AQUASAFE+ (some models)

The Aquasafe+ System protects against water damage which may be caused at the water inlet hose.

Do not immerse the system's valve box into water; it contains electrical components.

In case of damage, pull out the power supply plug.

Do not shorten or lengthen the hose insert as it contains electrical cables and components.

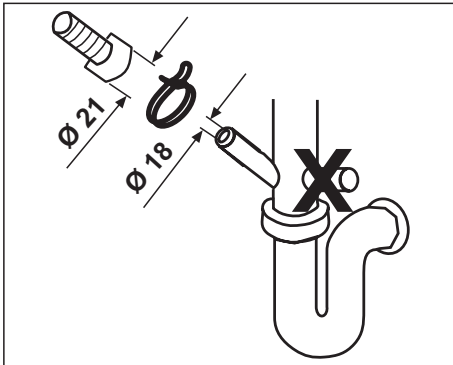
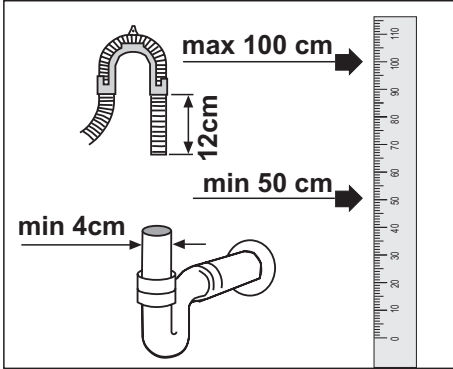


Water drainage

Connecting the drainage hose.

Take care to ensure that the drainage hose is not bent or squeezed.

Check that the drainage hose is firmly seated.



Extension hoses

If a hose extension is required, a drainage hose of equal quality must be used.

The maximum length must not exceed 4m. Using a longer hose will produce poorer cleaning results.

Siphon connection

The drainage height must be between 50 and 100cm above the floor.

Use hose clamps to fasten the drainage hose to the siphon.

Electrical connection

Please refer to the type plate for information on current type, mains voltage, and fuse protection.

The type plate is located on the inside of the door.

The mains plug must be freely accessible after installation.

Power cables and insulated cables must not be accessible (exposed) after installation.

Disposal Packaging

The packaging and some parts of your appliance are made from recyclable materials. These materials are marked with the recycling symbol and the relevant material type (PE, PS, POM).

Before operating your appliance, remove the packaging material and dispose of it in accordance with regulations.

Warning

Packaging materials may be dangerous to children. Reusable substances may be dropped off at your local disposal facilities. You may obtain further information from your local authorities and disposal facilities.



Used appliances – Environmental notice

This product must not be disposed of with your regular household waste.

Instead, you need to dispose of the waste equipment by handing it over to a designated collection point for the recycling of waste electrical and electronic equipment. This is indicated by a symbol to be found on

the product, its packaging or in the manual.

Materials used are recyclable according to their labelling. Reuse, recycling of materials and further reutilization of used products are important contributions to protect our environment.

Please ask your local town council for the nearest collection point.

To avoid possible dangers, disable your waste appliance prior to discarding it. Pull the mains plug and cut the power cord. Disable any door locks.

4 Using Your Dishwasher

Important

The electricity and water connections of the dishwasher must be in compliance with the instructions in this booklet.

Filling the dishwasher salt

Important

Only use special dishwasher salt in your appliance. The manufacturer is not liable for damage resulting from the use of the wrong type of salt.

Do not use coarse-grained salt. Small grains or powdered salt is more easily soluble. Never use culinary or table

salt. These types of salt do not dissolve in water easily and will damage the softening device.

Remove the lower basket from the appliance.

Open the screw-in cap of the salt container by turning it counter clockwise (fig. **A,B**).

When operating for the first time:

Pour 1 litre of water into the salt container (Fig. C).

Pour the salt into the container with the aid of the salt funnel provided (Fig. D).

Pour in enough salt to fill the container. The container holds approx. 2 kg.

To speed up the rate of dissolution of salt in water, stir it with a spoon.

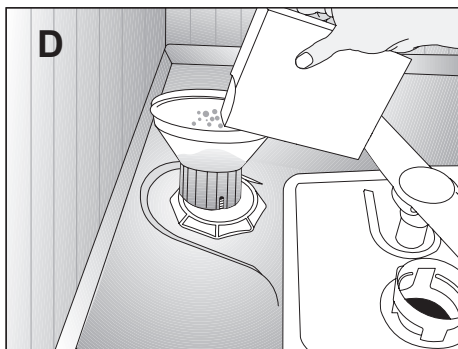
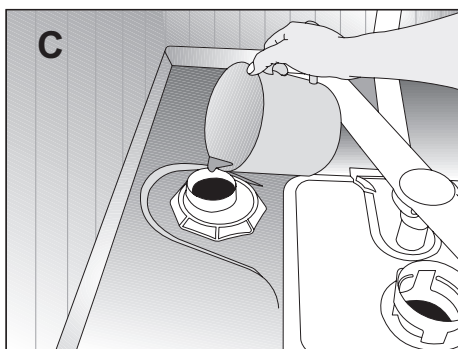
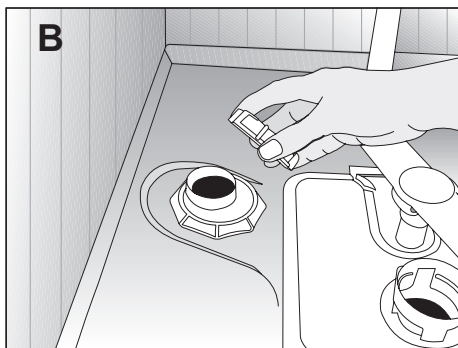
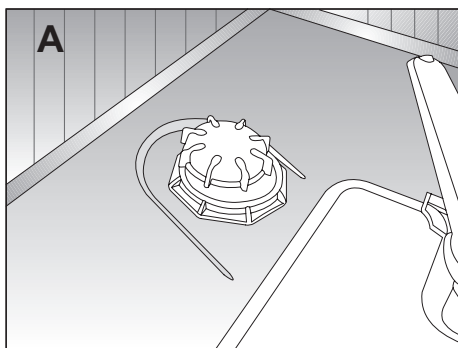
Close the cap tightly.

Begin a washing program immediately after filling the salt container. The washing program prevents damage to the appliance which may be caused by any spilled salt solution. After the first washing cycle, the salt level indicator light will go out.

Important

Depending on the particle sizes of different salt brands in the market, tablet properties and water hardness, dissolution of the salt in water may take a couple of hours.

So, the salt indicator continues lighting for a while after filling salt into the machine. (For models with a salt indicator)



Filling the Rinse Aid Dispenser

Rinse aids allow washing water to rinse off more cleanly and prevent watermarks or streaks on the dishes. Only use rinse aid designed for use in dishwashers.

Note

If you use “2 in 1” or “3 in 1” detergents / tablets, you do not need an additional rinse aid.

Open the rinse aid dispenser by pressing the locking lever (**B**)

Carefully pour in rinse aid to the MAX mark. Close the lid until it clicks (**3**).

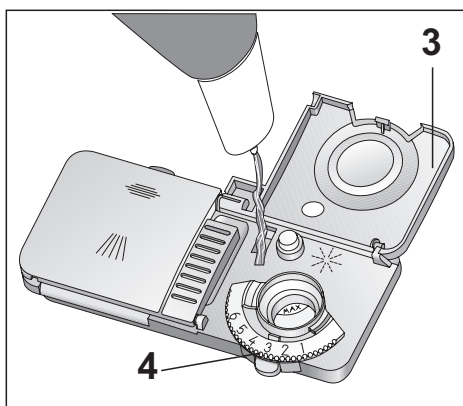
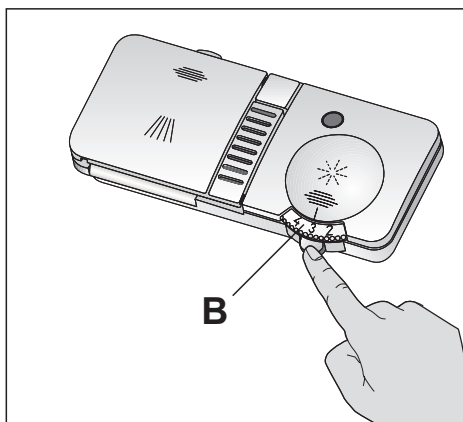
Carefully wipe off spilled rinse aid. Excessive rinse aid causes excessive foam formation, which may hinder cleaning.

Set the dose of rinse aid

The dose of rinse aid to be used can be set by means of the dispenser regulator (between levels 1 and 6) (**4**). Your appliance is pre-set at the factory to level 3.

Only change the setting if the following applies after washing:

- Watermarks are visible on the dishes: Set dosage higher
- Streaks are visible on the dishes: Set dosage lower



Filling the Detergent Dispenser

Note

Only use detergents formulated for use in dishwashers.

Open the detergent container by pushing the locking lever to the right (**A**).

The lines on the inside of the detergent container will help you measure the correct amount of detergent.

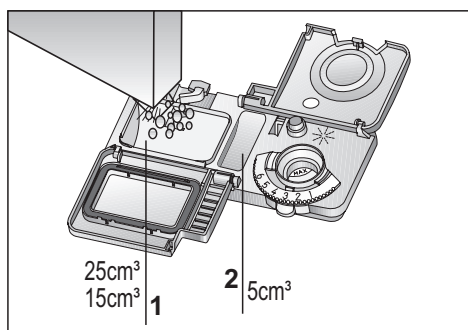
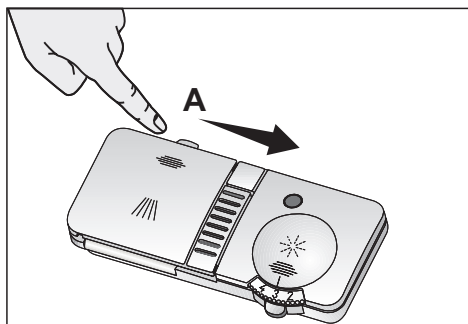
The detergent container holds a total of 40 cm³ of detergent (**1**).

When the dishwasher is fully loaded and the dishes are very dirty, we recommend filling the detergent container up to the 25 cm³ mark. When the dishes are less dirty, it is generally sufficient to fill the detergent up to the 15 cm³ mark.

If your dishes have been in the dishwasher for some time without being washed, you should also fill the small detergent container up to the line (2).

The programme table shows the amounts of detergent required for the different wash programmes.

These may differ according to how dirty the dishes are and the water hardness in your location.



Detergent

Please use detergents produced specially for the dishwashers in your machine.

Keep the opened detergent packages in a cool and dry place where children can not reach.

Put the detergent into the detergent dispenser just before operating the machine.

Please contact the manufacturer to get detailed information about the detergent you are using.

Always use powder detergents in short programs without pre-washing. Fill in the powder detergent into the compartment nr. 2 with a grid cover as shown in the picture and close the detergent box lid. When completely full, this compartment will contain 6 g of powder detergent.

Do not use tablet detergents in short programs since the solubility of them changes depending on the temperature and time.

In programs with pre-washing and high temperature, in which you may use tablet detergents, make sure that the detergent box lid is closed firmly.

Excessive usage of powder detergents can cause the detergent not dissolve completely and can also cause scratches on the glassware.

Multipurpose Detergents

The best washing results in dishwashers is obtained by using detergent, rinse aid and water softening salt individually.

New products of the detergent producers what they call as “Multipurpose Detergent” can act as water softening salt and/or rinse aid in addition to acting as a detergent. Some types of these detergents can also contain special-purpose washing chemicals such as glass and stainless steel protectors.

Multipurpose detergents commonly found in the market:

2in1: Those contain detergent, rinse aid or water softening salt.

3in1: Those contain detergent, rinse aid and water softening salt.

4in1: Those containing glass protectors in addition to detergent, rinse aid and water softening salt.

5in1: Those containing glass and stainless steel protectors in addition to detergent, rinse aid and water softening salt.

Multipurpose detergents give satisfying results only under certain usage conditions. Observe the instructions of the detergent manufacturer on the package when using such detergents.

Contact the detergent producer if your dishes are wet and/or if you notice lime spots particularly on your glasses after the washing program is over.

When you give up using such detergents:

Make sure that salt and rinse aid compartments are full.

Set the water hardness to its highest degree and perform an empty run.

After the empty washing review the user manual and readjust the water hardness level so as to suit your water supply.

Make the appropriate rinse aid settings.

Depending on the model, salt indicator and/or rinse aid indicator should be enabled again if they are disabled before.

Loading the dishwasher

General:

Before you load the dishwasher with dishes

- Remove coarse food leftovers
- Place all containers such as cups, glasses and pots into the machine with the opening facing downwards (so that no water can collect)
- Dishes and cutlery may not be placed above each other
- Glasses may not touch
- The movement of the spray arms must not be hindered
- Place all large and very dirty items in the lower basket.
- Small and light items can go into the upper basket.
- Long and narrow items are placed in the middle of the baskets.

Attention

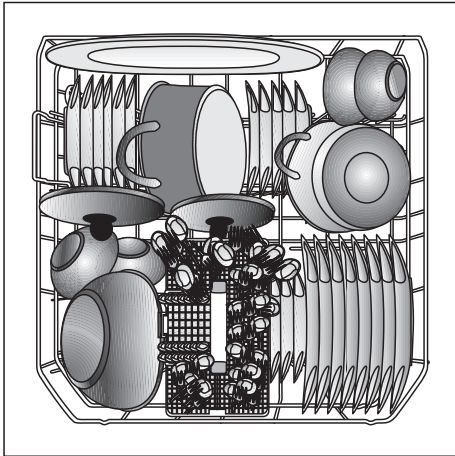
Knives and other utensils with sharp tips and edges must be placed horizontally into the upper basket due to risk of injury.

Please do not overload your dishwasher and pay attention to the notes regarding dishes which are suited to the dishwasher.

Only in this manner will you obtain optimal washing results with a sensible use of energy.

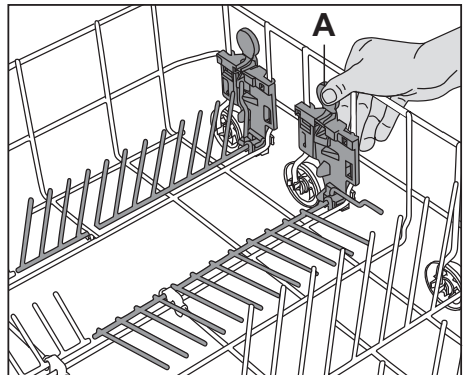
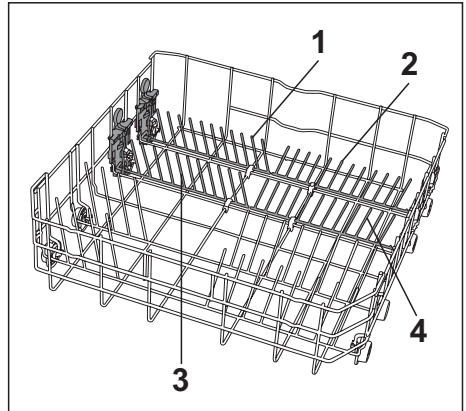
Suggestions for loading the dishwasher

Use the lower basket for plates, bowls, pots etc.



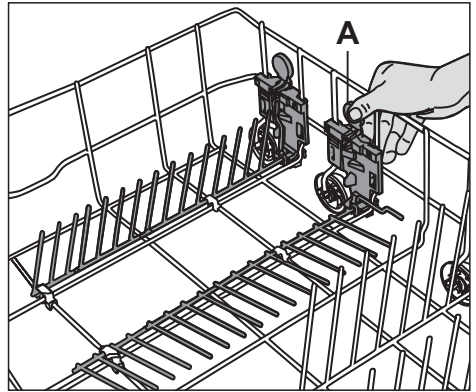
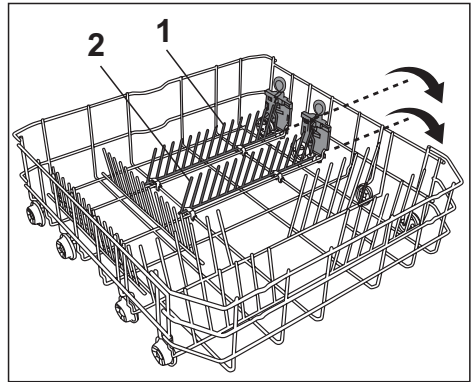
4 folding plate support rods (depending on the model)

There are four separate “folding plate support rods” in the lower basket of your dishwasher designed to allow you more space to accommodate saucepans and large bowls in the lower basket. You can either fold each section (1, 2, 3, 4) individually or, all at once, to create a large empty space. Simply press the handgrips (A) and fold them down”



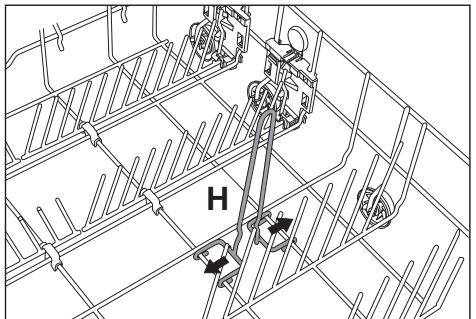
2 folding plate support rods (depending on the model)

There are four separate “folding plate support rods” in the lower basket of your dishwasher designed to allow you more space to accommodate saucepans and large bowls in the lower basket. You can either fold each section (1, 2) individually or, all at once, to create a large empty space. Simply press the handgrips (A) and fold them down”



Bottle holder (depends on some models)

For cleaning your bottles. To remove, pull the holders apart in opposite directions (H).



Variable cutlery basket (depending on the model)

The variable cutlery basket can be separated into 3 parts depending on the amount of cutlery and the degree of dirtiness.

Small cutlery basket sections also fit into the upper basket.

To do this, turn the lock on the handle to the right (A).

Pull the smaller cutlery basket upwards and out of its holders (B).

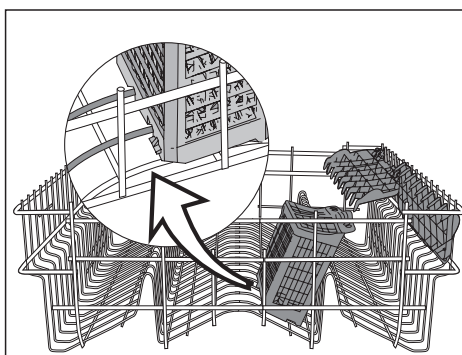
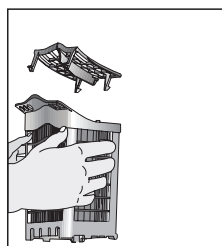
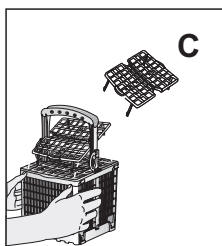
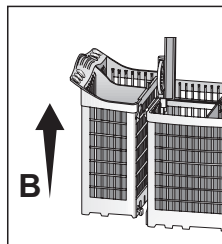
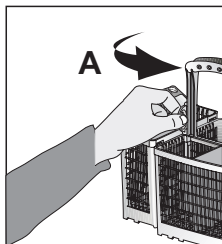
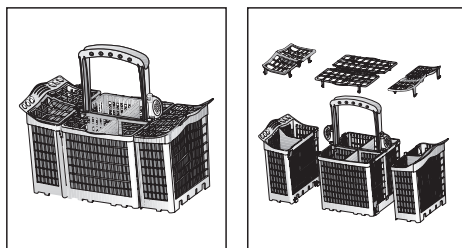
To put the parts together again, proceed in the opposite direction.

Use the basket inset (C) for your cutlery so that all items in the basket are surrounded by a sufficient water flow.

For larger items (e.g. wire whisks), the basket inset may be removed (C).

To make loading easier, the cutlery basket can be removed.

Place long items such as ladles, cooking spoons etc. on the rack in the upper basket.



Basket insert with variable height settings (depending on some models)

You can also use this insert in the lower basket for glasses and long-handled cutlery / utensils.

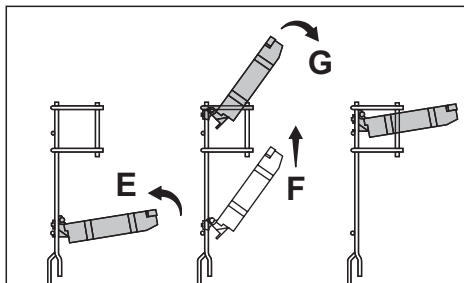
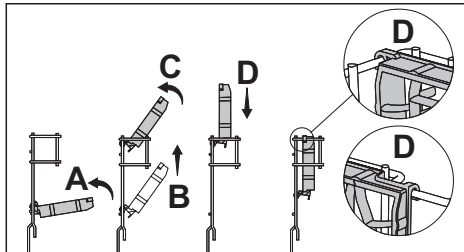
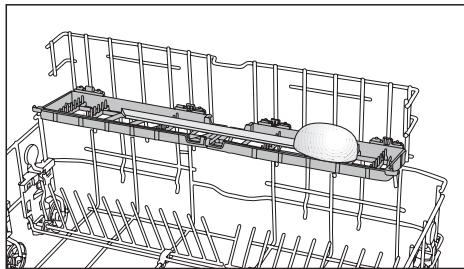
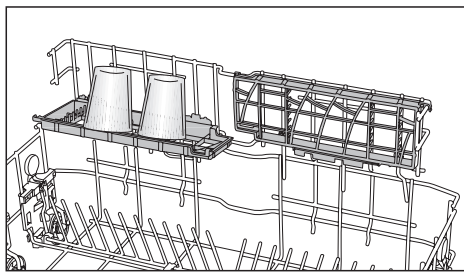
If you do not need the insert, fold the rack upwards at the angle shown (A).

Push the entire insert upwards (B). Place the insert in the upright position (C). Push the insert downwards and lock it into place with the holder (D).

When you want to use the basket again, reverse the procedure.

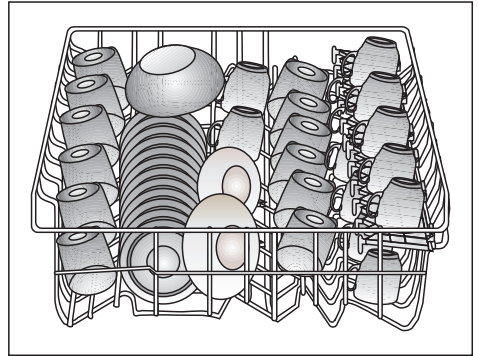
To set the height, push the rack upwards and fold it open in position (G).

When finished, check that the sprayer arm can still move freely.



Loading suggestions

Load the upper basket with dessert plates, cups, glasses etc.

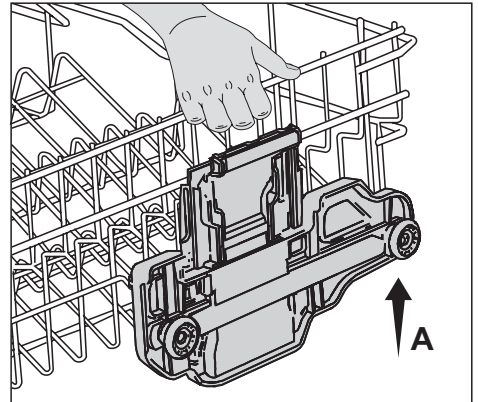


Upper basket with variable height setting

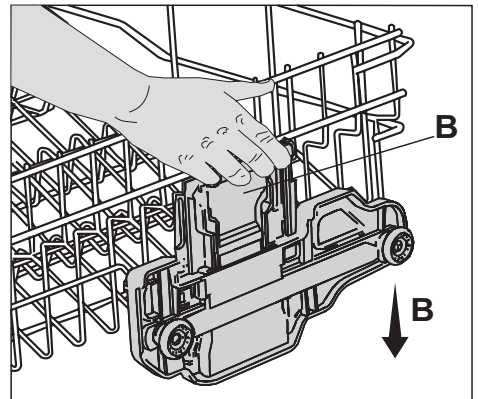
(depends on some models)

The upper basket is equipped with a lifting mechanism which enables you to change the height of the basket without having to remove it from the dishwasher, even if it is fully loaded.

The height of the upper basket was set to its lowest position at the factory. To lift the upper basket to the “high” (A) position, hold it on one side and carefully pull it upwards. To lift the opposite side of the basket, hold it and pull it upwards in the same manner (A).



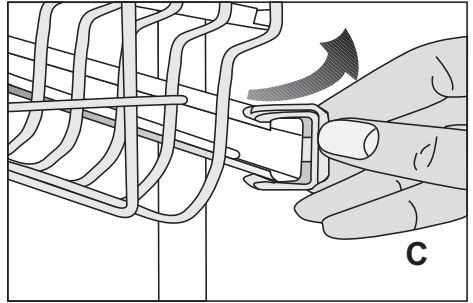
To lower the upper basket, hold the basket lever on one side and carefully lower the basket without releasing the lever (B). Repeat the procedure with the lever on the opposite side of the basket. Make sure that both levers catch at the same height.



Height setting with empty basket (depends on the model)

In this model, the height setting of the upper basket may be changed using the wheels which are mounted at two different heights.

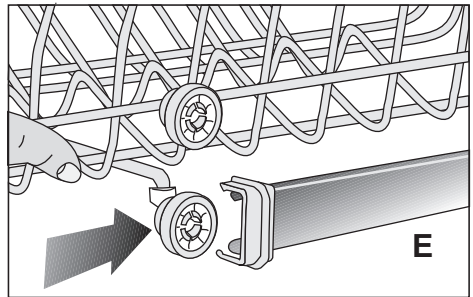
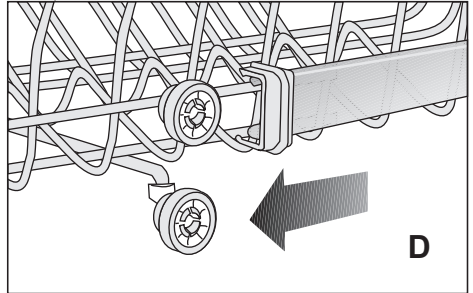
Release the latches on both the right and left tracks of the upper basket by pushing them outwards (C).



Pull out the basket out completely (D).

Place the basket back into the tracks at the desired height (E).

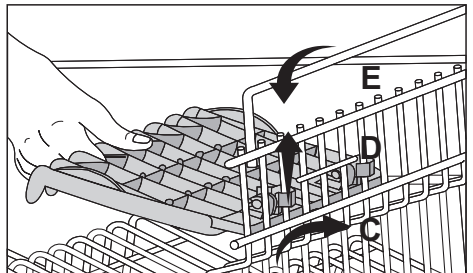
Push the latches back into the correct position.



Rack

(depends on the model)

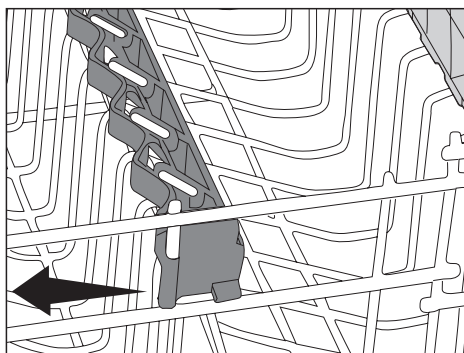
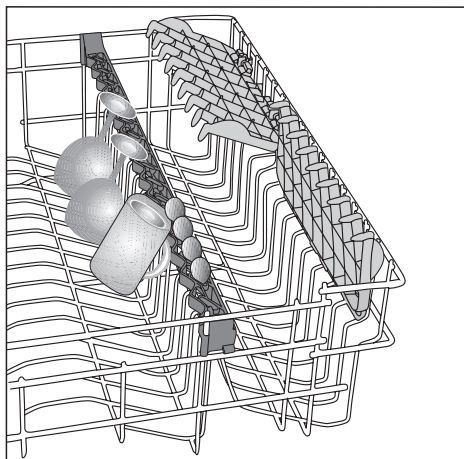
Depending on the size of the glasses and cups, the rack height setting may be adjusted (C, D, E).



Glass Support (depends on the model)

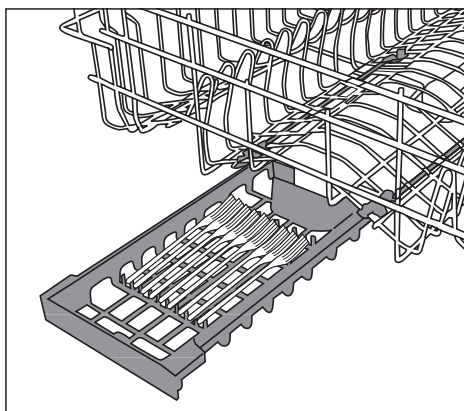
When placing the glasses or goblets with a long grip, lean them against the glass support, the edge of the basket or the shelf but not against the other pieces. Do not lean the long glasses against each other, otherwise they do not remain stable during washing cycle and may get damaged.

When you need to place the bulky pieces into the upper basket, disconnect the lug of the glass support from the bar of the basket where it is attached to. Thus, you will acquire a wider place.



Upper Basket Drawer (depends on the model)

You can easily place additional desert spoons, small forks and knives into the drawer installed to the upper basket of your machine.



5 How to clean your dishwasher

Cleaning your machine at regular intervals ensures longer product life and reduces the risk of recurring problems.

Warning

Always unplug the machine and turn off the water supply before cleaning. Use a gentle household cleaner for the outside and the door seals. Clean the control panel only with a moist cloth and clear water.

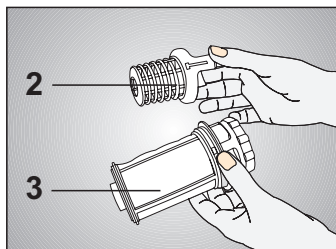
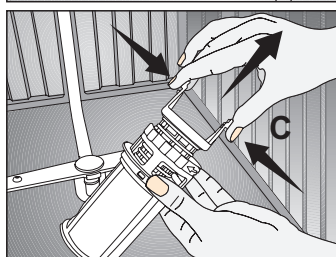
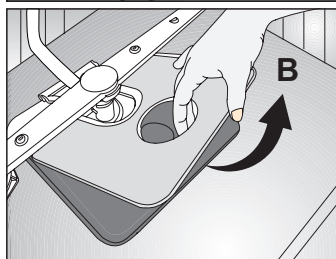
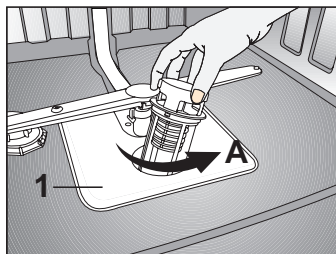
Cleaning the filters

Clean the filters and the spray arms regularly. A dirty machine will have a negative effect on the cleaning results.

1. Main filter
 2. Coarse filter
 3. Micro filter
1. Remove the lower basket from the machine.
 2. Turn the coarse filter to the right and pull it out in an upward direction (A).
 3. Pull out the main filter (B).
 4. Press on the two tongues of the coarse filter and remove the micro filter (C).
 5. Clean the filters thoroughly under running water. Use a brush if necessary.
 6. Replace main filter.
 7. Replace the micro filter and the coarse filter into the main filter. Twist it clockwise until it clicks in.

Warning

Do not operate your dishwasher without a filter. Ensure that your filters are correctly installed. Clean the filters regularly.



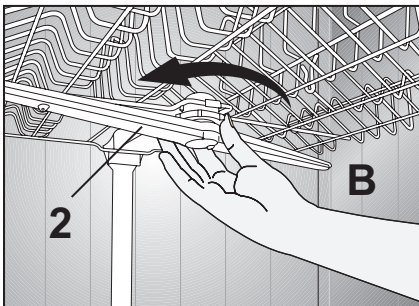
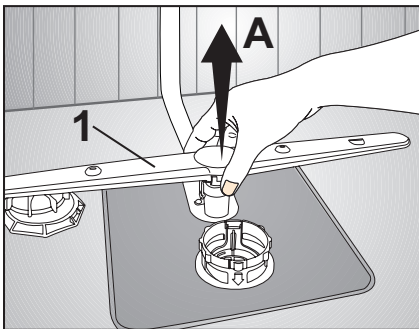
Cleaning the spray arms

Dirt or calcium residue may block the nozzles on the spray arms. For this reason, regularly check the spray nozzles.

1. Lower spray arm
 2. Upper spray arm
1. Remove the lower basket from the machine.
 2. Pull off the lower spray arm in an upward direction (**A**).
 3. Loosen the fastening screw of the upper spray arm and pull off the spray arm (**B**).
 4. Clean the spray arms under running water.
 5. Replace the spray arms.

Warning

Ensure that the fastening screws are screwed tight.



Cleaning the filter inset in the water inlet hose (depending on the model)

Dirt from deposits in the water pipes is prevented by a filter in the water inlet hose. Check the filter and the water inlet from time to time.

1. Close the water tap and unscrew the water inlet hose.
2. Take out the filter and clean it under running water.
3. Replace the cleaned filter.
4. Fasten the water inlet hose to the water tap again.

6 Troubleshooting:

What to do if the dishwasher will not run

- Check that the mains plug is properly connected.
- Are all fuses working?
- Is the water supply fully turned on?
- Is the dishwasher door closed firmly?
- Have you pressed the On/Off button?
- Is the filter on the water intake and dishwasher clogged?

The cleaning results are unsatisfactory



Uncleaned Dishes

Disorderly placement

- Load your dishes as described in the manual.

Program selection

- For products with program selecting feature, choose a longer program that washes in higher temperatures.

Blocked impellers

- Prior to starting the program, ensure by turning by hand that the upper and lower impellers are freely rotating.

Clogged filters

- From time to time, remove the complete filter system as shown in the manual and wash it under flowing water.

Misplaced or displaced filters

- After washing the filter system, replace them as shown in the manual.

Clogged impeller holes

- Take out and clean the impellers from time to time as shown in the figure.

Overloading the baskets

- Do not overload the baskets in excess of their capacity

Detergent kept under unsuitable conditions

- If you are using powder detergents, do not store them in humid places after you open their boxes. Keep them in a closed container, if possible. For ease-of-storing, we recommend you to use tablet detergents.

Inadequate detergent

- If you are using powder detergents, adjust the amount of detergent according to the soiling degree of your dishes and/or program definitions. We recommend you to use tablet detergents for optimum results.

Inadequate rinse aid

- Increase rinse aid setting or add rinse aid into rinse aid compartment.

Unsealed detergent dispenser lid

- Always ensure that the detergent compartment lid is closed tightly after every detergent filling process.

Drying

Disorderly placement

- Load your dishes as described in the manual.

Inadequate rinse aid

- Increase rinse aid setting or add rinse aid into rinse aid compartment.

Unloading the machine right after dishwashing

- Do not unload your dishwasher right after washing process is completed. Slightly open the door and wait for evacuation of the inside steam for a while. Unload the dishes after the pieces cool down to a touchable level. Start unloading process from the lower basket.

Program Selection

- For products with program selecting feature, choose a longer program that washes in higher temperatures.



Tea, Coffee And Lipstick Stains

Program Selection

- For products with program selecting feature, choose a longer program that washes in higher temperatures.

Detergent kept under unsuitable conditions

- If you are using powder detergents, do not store them in humid places after you open their boxes. Keep them in a closed container, if possible.
- For ease-of-storing, we recommend you to use tablet detergents.

Usage of silverware-kitchenware with corrupted surface quality

- Silverware or kitchenware with corrupted surface quality should not be washed in dishwashers.



Lime Stains, Hazy Look

Inadequate rinse aid

- Increase rinse aid setting or add rinse aid into rinse aid compartment.

Insufficient water softening

- In products equipped with water softening setting, water softening should be properly set in accordance with the hardness of the supply water. Add salt into the salt container, if necessary.

Salt leakage*

- Use the supplied salt funnel while filling in softening salt. Make sure that the salt box cover is tightly closed after finishing the filling process. Run a washing program to clean up the salts spilled in the machine. Recheck the salt box cover after the program is completed.

Metallic Look In Bluish Rainbow Color

Excessive rinse aid

- Lower rinse aid setting.



Hazy, Milky-Dish Look And Bluish / Rainbow Color Appearance In Glassware When They Are Hold Against Light

Glass corrosion due to soft water

- In products equipped with water softening setting, water softening should be properly set in accordance with the hardness of the supply water. If your supply water is soft (<5dH), do not use salt. For products with program selecting feature, choose programs that wash in higher temperatures (e.g. 60-65°C).



Scratch / Break In Glassware

Kitchenware containing Aluminum

- Kitchenware that contains aluminum should not be washed in dishwashers.

Salt leakage*

- Use the supplied salt funnel while filling in softening salt. Make sure that the salt box cover is tightly closed after finishing the filling process. Run a washing program to clean up the salts spilled in the machine. Recheck the salt box cover after the program is completed.

Low water softening setting, inadequate salt*

- In products equipped with water softening setting, water softening should be properly set in accordance with the hardness of the supply water. Add salt into the salt container, if necessary.

Detergent kept under unsuitable conditions

- If you are using powder detergents, do not store them in humid places after you open their boxes. Keep them in a closed container, if possible. For ease-of-storing, we recommend you to use tablet detergents.

Overloading the baskets

- In order to avoid scratches and breaks in glasses and other glass tableware because of collision with each other during washing process arising from their placement, do not overload the baskets in excess of their capacity.



Rusts, Blackening And Corruption Of Surface

Unsealed closing of the salt box cover*

- Salt may cause oxidation on metal surfaces. Use the supplied salt funnel while filling in softening salt. Make sure that the salt box cover is tightly closed after finishing the filling process. Run a washing program to clean up the salts spilled in the machine. Recheck the salt box cover after the program is completed.

Grounding line

- Check if your dishwasher is connected to the actual grounding line. Otherwise, the static electric created in the dishwasher may remove the protective coating on metal surfaces and cause blackening and corruption.



Detergent Remains In The Detergent Dispenser

Damp detergent compartment

- Make sure that the detergent dispenser is well dried prior to filling it with detergent.

Putting detergent in the detergent dispenser long before washing

- Take care that detergent is put shortly before startup of washing.

Preventing opening of detergent dispenser lid during washing

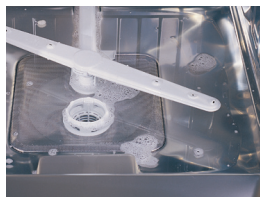
- Ensure that the lid of detergent dispenser is not opened during loading the dishes so that entering of water from the impellers into it is prevented.

Detergent kept under unsuitable conditions

- If you are using powder detergents, do not store them in humid places after you open their boxes. Keep them in a closed container, if possible. For ease-of-storing, we recommend you to use tablet detergents.

Clogged impeller holes

- Take out and clean the impellers from time to time as shown in the figure.



Water Remained In The Dishwashing Compartment After Washing

Clogged filters

- From time to time, remove the complete filter system as shown in the manual and wash it under flowing water.

Blocking / twisting of drainage hose

- Connect the drainage hose as described in the manual.

Odour

Odor of new dishwasher

- A new dishwasher has a peculiar odor. It will fade out after a couple of washing.

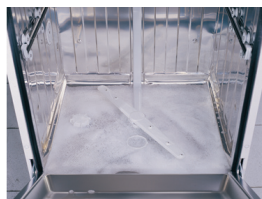
Clogged filters

- From time to time, remove the complete filter system as shown in the manual and wash it under flowing water.

Leaving the dishes in the dishwasher for a long time

- If you are not going to run your dishwasher immediately, load the dishes into

your machine after scraping the excessive soil on them and do not tightly close the door of the machine. Every other day, perform washing without detergent in the shortest program for products with program selecting feature.



Foam

Loading the dishes into the dishwasher without completely drying after washing them with hand-wash detergent.

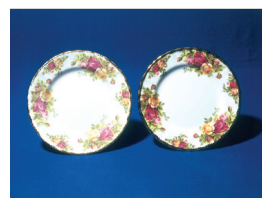
- Hand-wash detergents do not contain antifoam. There is no need to hand-wash the dishes with detergent before loading the dishes into the machine. Scraping the coarse soil on the surfaces with a tissue paper or fork will be sufficient.

Spilling rinse aid in the machine while filling

- Take care that rinse aid is not spilled in the machine when you are filling it. Clean any spilled amount with the help of a tissue paper/towel.

Leaving the rinse aid lid open or not closing it

- Rinse aid compartment should always be closed as shown in the manual after it is filled with rinse aid.



Erasing Of Decorations

Usage of decorated glasses and porcelains

- Decorated glasses and decorated luster porcelains are not suitable for dishwasher washing. Manufacturers of glassware and porcelain tableware items do not recommend washing these items in the dishwashers either.

*: In products with a salt container

Service

If your appliance ever malfunctions, check the notes and advice given in the operating manual.

If this does not fix the problem, our customer service staff are available to assist you.

