



dishwasher

63107 HIT

Dear customer,

Please read carefully right through this instruction booklet before installing or operating your dishwasher. The following instructions should prevent the risk of personal injury and/or damage to the appliance.

Please keep these documents in a safe place for later reference.

This operating manual has been written for several different machines, and some of the features mentioned here may not apply to your particular model.

Symbols and legend

Following symbols are included in the user manual:




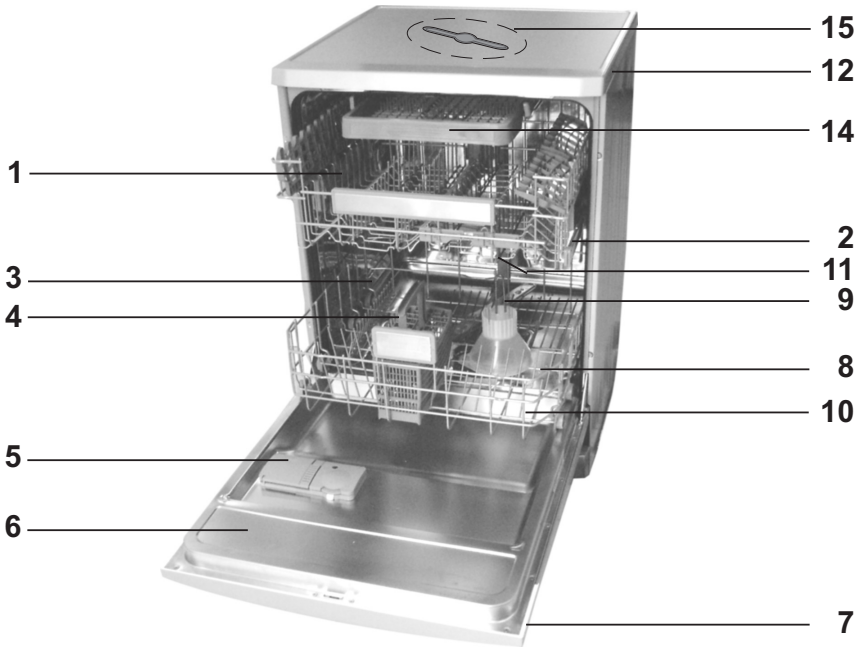
-  Important information and tips about usage.
-  Warning for hazardous situations with respect to security of life and property.
-  Warning for electrical voltage and shock hazard.

TABLE OF CONTENTS

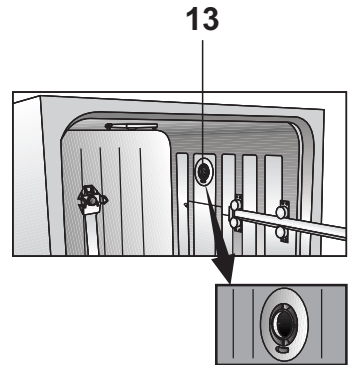
1 Getting To Know Your Machine	3	Adding Auxiliary Functions to the Program	22
View of the Machine	3	Changing a Program	24
2 Safety Instructions	4	Configuration of menus	24
Before Installation	4	Scheduling the washing time	27
Before First Use	4	Canceling a Program	27
Child Safety	4	Program Follow-up	28
Technical Specifications	4	Child (Key) Lock	28
For daily operation	5	Warning Messages	29
Problems	5	Salt Indicator	29
What should not be washed in your dishwasher	5	Rinse Agent Indicator	29
3 Directions for Assembly	6	6 How to clean your dishwasher	31
Safety notes for installation	6	Cleaning the filters	31
Installing Your Dishwasher	6	Cleaning the spray arms	32
Water connection	7	7 Troubleshooting:	33
Connect water inlet hose	7	What to do if the dishwasher will not run	33
Water drainage	8	The cleaning results are unsatisfactory	33
Electrical connection	8	Service	39
Disposal	8		
4 Using Your Dishwasher	9		
Filling the dishwasher salt	9		
When operating for the first time:	10		
Filling the Rinse Aid Dispenser	12		
Filling the Detergent Dispenser	12		
Detergent	13		
Multipurpose Detergents	14		
Loading the dishwasher	14		
Suggestions for loading the dishwasher	15		
Loading suggestions	15		
Removable 3rd basket	19		
5 Program Selection and Operating Your Machine	20		
Buttons	21		
Auxiliary Functions	21		
Starting Your Machine	21		
Program Selection	22		

1 Getting To Know Your Machine

View of the Machine



1. Upper dish basket with shelf
2. Guide rail for the upper dish basket
3. Salt container
4. Cutlery basket
5. Detergent dispenser
6. Door
7. Control panel
8. Filters
9. Lower sprayer arm
10. Lower basket
11. Upper sprayer arm
12. Housing
13. Turbo fan heat drying system
14. Removable 3rd basket
15. Additional upper spray arm



Technical Specifications

Permitted water pressure: 0,3 –10 bar (= 3 – 100 N/cm² = 0,01-1,0Mpa)

Electrical connection: 220-240 Volts, 10 Amps (see type plate)

Output: 1900-2200 W

Heat output: 1800 W



This device corresponds to the following EU directives:

2006/95/EC: Low Voltage Directive

2004/108/EC: EMV Directive

DIN EN 50242: Electrical dishwasher for home use Testing procedures for practical service conditions

Because we continually strive to improve our products, we may change our specifications and designs without prior notice.

Note for Testing Institutes

The necessary information for performance testing will be provided upon request. The request can be done by e-mail through:

standard.test@arcelik.com

Please do not forget to write the model code and stock code information of the appliance besides your contact information in the e-mail. The model code and stock code information can be found on the rating label, which is placed on the side of the door.

2 Safety Instructions

Before Installation

Check the appliance for transit damage. Never install or use damaged machines. If in doubt, contact your supplier.

Before First Use

- See Notes for Installation on page 6.
- Have the grounding system installed by a qualified electrician. The manufacturer cannot be held liable for any damage caused by operating the appliance without proper grounding.
- Before operating the system, please check that the information on the type plate corresponds to the information on your power supply.
- The dishwasher must be disconnected from the mains

during installation.

- The appliance must not be connected to the mains using an extension cable. Extension cables do not provide the necessary safety (e.g. danger of overheating).
- Always use the original plug delivered with the appliance.
- The plug must be freely accessible after the appliance has been installed.

Child Safety

- Do not allow children to play with the appliance.
- Dishwasher detergents are caustic and may cause injury to the eyes, mouth and throat. Please note the safety instructions provided by the manufacturers of the detergents.
- Never leave children unsupervised

while the appliance is open, as the appliance may still contain detergent leftovers.

- The water in the dishwasher is not drinking water. Danger of caustic injuries.
- Always place long and sharp/pointed objects (e.g. serving forks, bread knives) into the cutlery basket with the pointed end down or flat on the upper basket to avoid possible injuries.

For daily operation


- Use your appliance only for the following domestic uses: Washing household dishes.
- Do not use chemical solvents in the appliance; there is a danger of explosion.
- This appliance is not intended for use by persons (including children) with reduced physical, sensory or mental capabilities, or lack of experience and knowledge, unless they have been given supervision or instruction concerning use of the appliance by a person responsible for their safety.
- Do not sit or stand on the opened door or place other objects on it. The appliance may tip over.
- Do not open the door while the appliance is running, as hot water or steam may escape.
- Do not leave the door open – an open door can be a hazard.
- If you need to move your appliance, do it in upright position and hold from the rear side. Tilting the appliance onto its front side may cause the electronic parts in it to get wet and damaged.


Problems

- Repairs and modifications to the appliance may only be carried out by qualified customer service personnel.
- In the event of a problem, or before performing a repair, disconnect the appliance from the mains supply:
 - disconnect the appliance by pulling out the mains plug
 - shut off the power.
- Do not pull on the cable – pull on the plug. Turn off the water supply tap.

What should not be washed in your dishwasher

- Rust sensitive steel parts
- Cutlery with wooden or horn handles
- Cutlery with mother of pearl or porcelain handles
- Non heat resistant plastic parts
- No glued dish or cutlery parts
- No items made out of copper, tin or aluminium
- Sensitive decorative glasses and porcelain parts
- Lead crystal glasses
- Art and crafted articles
- Aluminium and silver tend to discolour
- Glass and crystal articles may lose their shine over time
- Sponges and dishcloths

 Do not wash items soiled with cigarette ash, candle wax, varnish, paints or chemicals.


 Recommendation: When buying new dishes, note whether they are suitable for the dishwasher. (marked as dishwasher proof)

3 Directions for Assembly

Safety notes for installation


Prior to installing and using your appliance, please check it for possible transit damage.


If the appliance is damaged, please contact your supplier.


 Never install or use a damaged appliance.


The following directions must be followed to connect the dishwasher properly.

Before operating your dishwasher, please ensure that the information on the type plate corresponds to the current and voltage of your power supply.

 The appliance may only be connected using a properly grounded socket. Ensure that the appliance is grounded according to regulations. The grounded socket must be easily accessible and close to the appliance.

 Do not use extension cables or multiple adapters, as this can lead to overheating, which can be a fire hazard.

 Hardwiring may only be carried out by a qualified electrician.

 Check the power cable, the water inlet hose and the drainage hose. Damaged parts may only be replaced by customer service personnel or by a qualified electrical service expert.

Installing Your Dishwasher

- Choose a suitable location for your dishwasher. Take care to ensure that the appliance is stable on a level surface.
- Unevenness in the floor can be equalised by adjusting the screw feet. When the appliance is standing correctly, the door can be closed without difficulty.
- Water inlet and drainage hoses must be positioned so that they can move freely without bending or squeezing.
- The appliance may not be installed in a room where the temperature is below 0° Celsius.

Water connection

- There are two different types of water inlet hoses:
 - Cold water inlet hose (up to 25°C)
 - Hot water inlet hose (up to 60°C) please check which one is applicable to your model.

If you are willing to connect your machine to natural energy resources or to the central hot water supply, first check out whether your water inlet hose type is suitable by checking the temperature values written on the hose. If your hose is not suitable, apply to your authorized service to change the hose.

- The dishwasher may not be connected to open warm water devices or flow-through water heaters.

Permitted water pressure:

Lowest permitted water pressure: 0.3 bars = 3 N/cm² = 30 kPa

When the water pressure is below 1 bar, please contact your technician.

Highest permitted water pressure: 10 bar = 100N/cm² = 1Mpa

When the water pressure is above 10 bars, a pressure reduction valve must be installed (available in trade supply stores).

Connect water inlet hose

Ensure that the water inlet hose is not bent or squeezed. Do not install a used hose set.

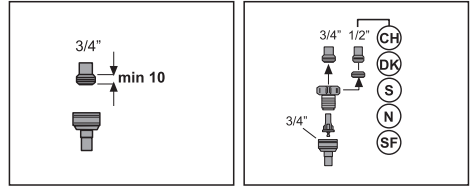
Use a screw-on hose connector to connect the water inlet hose to a water

tap with a 3/4 inch external thread. If required, use a filter insert to filter deposits from the pipes.

Check that the connection does not leak.

Important

For safety reasons, turn off the tap after every rinse process.



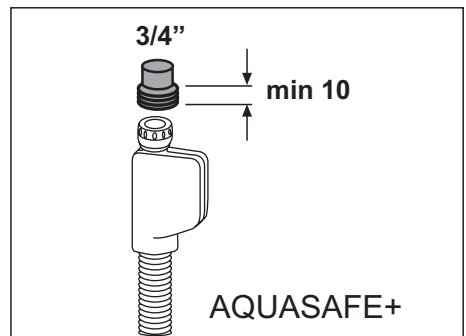
aquaSafe™ plus

The aquaAvoid™ plus System protects against water damage which may be caused at the water inlet hose.

⚠ Do not immerse the system's valve box into water; it contains electrical components.

⚠ In case of damage, pull out the power supply plug.

⚠ Do not shorten or lengthen the hose insert as it contains electrical cables and components.

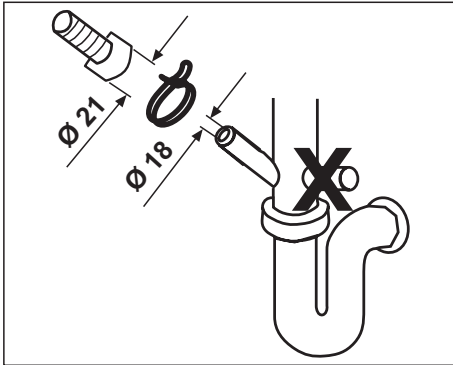
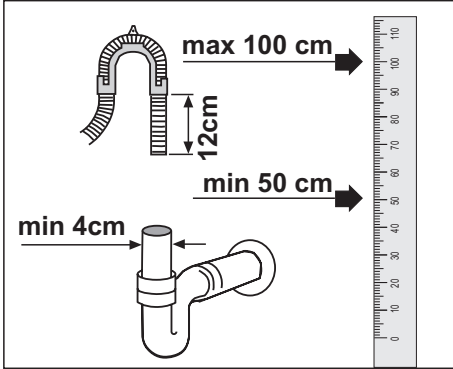


Water drainage

Connecting the drainage hose.

Take care to ensure that the drainage hose is not bent or squeezed.

Check that the drainage hose is firmly seated.



Extension hoses

If a hose extension is required, a drainage hose of equal quality must be used.

❶ The maximum length must not exceed 4m. Using a longer hose will produce poorer cleaning results.

Siphon connection

❶ The drainage height must be between 50 and 100cm above the floor.

Use hose clamps to fasten the drainage hose to the siphon.

Electrical connection

Please refer to the type plate for information on current type, mains voltage, and fuse protection.

The type plate is located on the inside of the door.


The mains plug must be freely accessible after installation.

Power cables and insulated cables must not be accessible (exposed) after installation.

Disposal Packaging

The packaging and some parts of your appliance are made from recyclable materials. These materials are marked with the recycling symbol and the relevant material type (PE, PS, POM).

Before operating your appliance, remove the packaging material and dispose of it in accordance with regulations.

 Packaging materials may be dangerous to children. Reusable substances may be dropped off at your local disposal facilities. You may obtain further information from your local authorities and disposal facilities.




Used appliances – Environmental notice


This product must not be disposed of with your regular household waste. Instead, you need to dispose of the waste equipment by handing it over to a designated collection point for the recycling of waste electrical and electronic equipment. This is indicated by a symbol to be found on the product, it's packaging or in the manual.

Materials used are recyclable according to their labelling. Reuse, recycling of materials and further reutilization of used products are important contributions to protect our environment.


Please ask your local town council for the nearest collection point.

 To avoid possible dangers, disable your waste appliance prior to discarding it. Pull the mains plug and cut the power cord. Disable any door locks.

4 Using Your Dishwasher

 The electricity and water connections of the dishwasher must be in compliance with the instructions in this booklet.

Filling the dishwasher salt

 Only use special dishwasher salt in your appliance. The manufacturer is not liable for damage resulting from the use of the wrong type of salt.

Use Dishwasher salt only. Moderate or coarse grained and easily soluble salts are recommended. Don't use table salt, or any other type, these types of salt do not dissolve in water easily and will damage the softening device.

Remove the lower basket from the appliance.

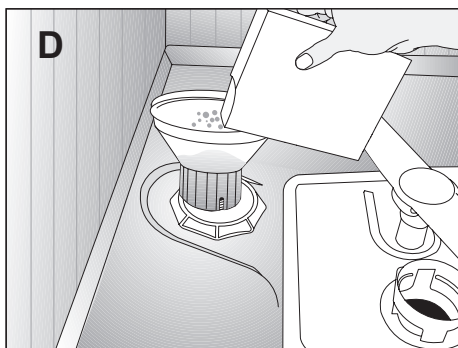
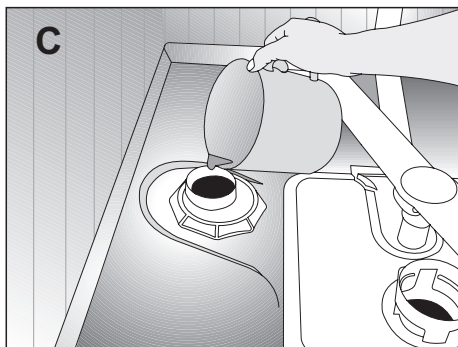
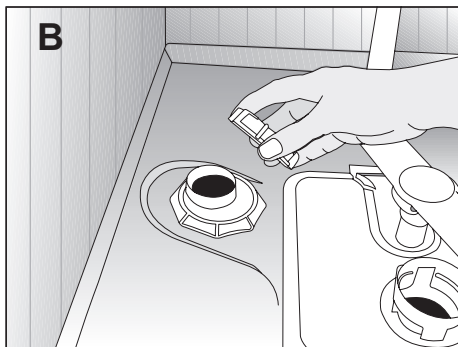
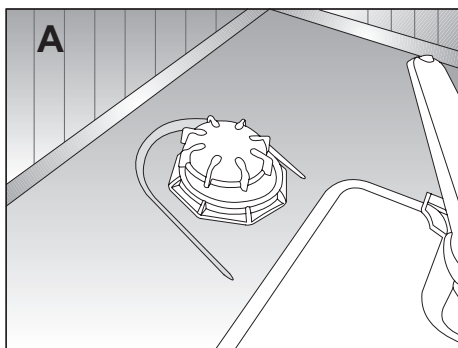
Open the screw-in cap of the salt container by turning it counter clockwise (fig. **A,B**).

When operating for the first time:

- Pour 1 litre of water into the salt container (Fig. C).
- Pour the salt into the container with the aid of the salt funnel provided (Fig. D).
- Pour in enough salt to fill the container. The container holds approx. 2 kg.
- To speed up the rate of dissolution of salt in water, stir it with a spoon.
- Close the cap tightly.
- Begin a washing program immediately after filling the salt container. The washing program prevents damage to the appliance which may be caused by any spilled salt solution. After the first washing cycle, the salt level indicator light will go out.

i Depending on the particle sizes of different salt brands in the market, tablet properties and water hardness, dissolution of the salt in water may take a couple of hours.

So, the salt indicator continues lighting for a while after filling salt into the machine. (For models with a salt indicator)

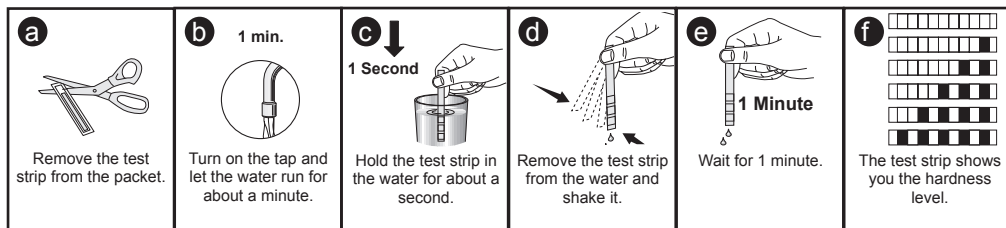


Water Hardness & Regeneration Settings

Softening the water

Dishwashers require fairly soft water. If the hardness exceeds 6°dH lime scale will form on crockery. To avoid this an automatic system adds a special salt to soften the water so that you obtain the best possible cleaning and drying performance.

To find out the hardness level of your water contact your local water company, or use the enclosed test strip to measure the water hardness:



To Adjust the Water Hardness;

1. Press On/Off button to turn on your dishwasher.
2. Press "Function" (4) and "Time Delay" (5) buttons together for 3 seconds to enter into the "Settings Menu".
3. Press "Function" (4) button to switch to the "Water Hardness" submenu.
4. Factory setting of water hardness level of the dishwasher is "3". "Water Hardness: 3" is displayed on the screen.
5. Press "> - <" Selection Buttons (7) to set the "Water Hardness" to a level which is suitable to the properties of your supply water. (You may determine the hardness level of the supply water by means of the hardness measurement kit supplied together with the dishwasher).
6. Select the hardness level and press the "Confirmation" (6) button for once. "Stored!" will be displayed.
7. Select "Back to Prog. Menu" submenu with "Function" (4) button and press Confirmation Button to exit the Settings Menu. You will return to the Main Menu (program selection screen).

Water Hardness Level Adjustment Table

Hardness Level	English Water Hardness °dE	German Water Hardness °dH	French Water Hardness °dF*	Water Hardness Level Indicator
1 st Level 	0-6	0-5	0-9	Press the Selection Keys (> - <) to switch the water hardness level to position 1. Water Hardness : 1
2 nd Level 	7-14	6-11	10-20	Press the Selection Keys (> - <) to switch the water hardness level to position 2. Water Hardness : 2
3 rd Level 	15-21	12-17	21-30	Press the Selection Keys (> - <) to switch the water hardness level to position 3. Water Hardness : 3
4 th Level 	22-28	18-22	31-40	Press the Selection Keys (> - <) to switch the water hardness level to position 4. Water Hardness : 4
5 th Level 	29-42	23-34	41-60	Press the Selection Keys (> - <) to switch the water hardness level to position 5. Water Hardness : 5
6 th Level 	43-62	35-50	61-90	Press the Selection Keys (> - <) to switch the water hardness level to position 6. Water Hardness : 6

If the hardness level of the water that you use is above 90 °dF (French standard for water hardness) or if you are using well water, than it is recommended to use filter and water purification devices.

* If the hardness level of the water that you use is below 9°dF (French standard for water hardness), there is no need to use salt in your dishwasher. If this is the case, "No Salt Warning Indicator" (if any) illuminates continuously on the panel of your machine.

If the water hardness adjustment is set to level 1, the "No salt warning indicator" will illuminate continuously although it is not necessary to use salt. If you use salt under this condition, salt will not be consumed and the lamp will not illuminate.

Warning:

If you move your house, it is very important to make the water hardness level adjustment of your machine according to the new location you move in order to preserve the washing efficiency.

If the water hardness level of your machine is adjusted previously, your machine will display the last water hardness level adjustment. Adjust the new water hardness level of your machine on basis of the water hardness level of your tap water.

Filling the Rinse Aid Dispenser

Rinse aids allow washing water to rinse off more cleanly and prevent watermarks or streaks on the dishes. Only use rinse aid designed for use in dishwashers.

i If you use “2 in 1” or “3 in 1” detergents / tablets, you do not need an additional rinse aid.

Open the rinse aid dispenser by pressing the locking lever (**B**)

Carefully pour in rinse aid to the MAX mark. Close the lid until it clicks (**3**).

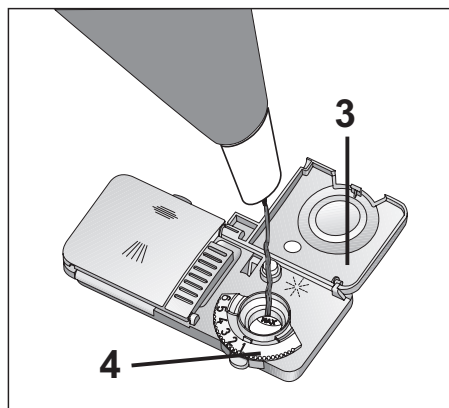
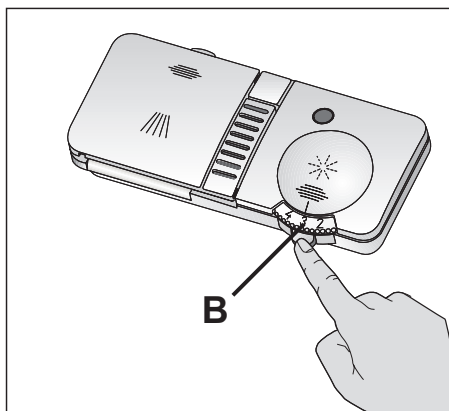
Carefully wipe off spilled rinse aid. Excessive rinse aid causes excessive foam formation, which may hinder cleaning.

Set the dose of rinse aid

The dose of rinse aid to be used can be set by means of the dispenser regulator (between levels 1 and 6) (**4**). Your appliance is pre-set at the factory to level 3.

Only change the setting if the following applies after washing:

- Watermarks are visible on the dishes: Set dosage higher
- Streaks are visible on the dishes: Set dosage lower



Filling the Detergent Dispenser

i Only use detergents formulated for use in dishwashers.

⚠ Do not put solvents into the washing compartment; there is the risk of explosion!

Open the detergent container by pushing the locking lever to the right (**A**).

The lines on the inside of the detergent container will help you measure the correct amount of detergent.

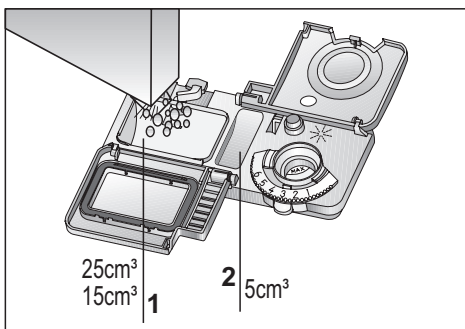
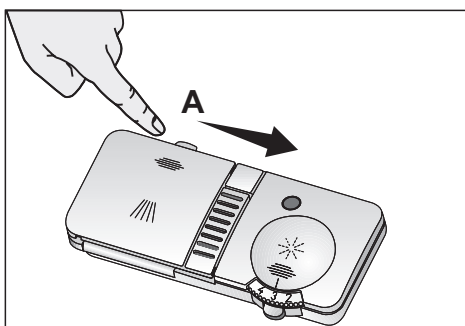
The detergent container holds a total of 40 cm³ of detergent (1).

When the dishwasher is fully loaded and the dishes are very dirty, we recommend filling the detergent container up to the 25 cm³ mark. When the dishes are less dirty, it is generally sufficient to fill the detergent up to the 15 cm³ mark.

If your dishes have been in the dishwasher for some time without being washed, you should also fill the small detergent container up to the line (2).

The programme table shows the amounts of detergent required for the different wash programmes.

These may differ according to how dirty the dishes are and the water hardness in your location.



Detergent

Please use detergents produced specially for the dishwashers in your machine.

⚠ Keep the opened detergent packages in a cool and dry place where children can not reach.

⚠ We recommend you not to use detergents that contain chlorine and phosphate as they are harmful for the environment. Detergents that contain enzymes are effective in temperatures below 50 °C and help to obtain the same washing efficiency as obtained at higher temperatures.

Put the detergent into the detergent dispenser just before operating the machine.

Please contact the manufacturer to get detailed information about the detergent you are using.

ⓘ Always use powder detergents in short programs without pre-washing. Fill in the powder detergent into the compartment nr. 2 with a grid cover as shown in the picture and close the detergent box lid. When completely full, this compartment will contain 6 g of powder detergent.

ⓘ Do not use tablet detergents in short programs since the solubility of them changes depending on the temperature and time.

In programs with pre-washing and high temperature, in which you may use tablet detergents, make sure that the detergent box lid is closed firmly.

Excessive usage of powder detergents can cause the detergent not dissolve completely and can also cause scratches on the glassware.

Multipurpose Detergents

The best washing results in dishwashers is obtained by using detergent, rinse aid and water softening salt individually.

New products of the detergent producers what they call as “Multipurpose Detergent” can act as water softening salt and/or rinse aid in addition to acting as a detergent. Some types of these detergents can also contain special-purpose washing chemicals such as glass and stainless steel protectors.

Multipurpose detergents commonly found in the market:

2in1: Those contain detergent, rinse aid or water softening salt.

3in1: Those contain detergent, rinse aid and water softening salt.

4in1: Those containing glass protectors in addition to detergent, rinse aid and water softening salt.

5in1: Those containing glass and stainless steel protectors in addition to detergent, rinse aid and water softening salt.

Multipurpose detergents give satisfying results only under certain usage conditions. Observe the instructions of the detergent manufacturer on the package when using such detergents.

Contact the detergent producer if your dishes are wet and/or if you notice lime spots particularly on your glasses after the washing program is over.

When you give up using such detergents:

Make sure that salt and rinse aid compartments are full.

Set the water hardness to its highest degree and perform an empty run.

After the empty washing review the user manual and readjust the water hardness level so as to suit your water supply.

Make the appropriate rinse aid settings.

Depending on the model, salt indicator and/or rinse aid indicator should be enabled again if they are disabled before.

Loading the dishwasher

General:

Before you load the dishwasher with dishes

- Remove coarse food leftovers
- Place all containers such as cups, glasses and pots into the machine with the opening facing downwards (so that no water can collect)
- Dishes and cutlery may not be placed above each other
- Glasses may not touch

- The movement of the spray arms must not be hindered
- Place all large and very dirty items in the lower basket.
- Small and light items can go into the upper basket.
- Long and narrow items are placed in the middle of the baskets.

⚠ Knives and other utensils with sharp tips and edges must be placed horizontally into the upper basket due to risk of injury.

i Please do not overload your dishwasher and pay attention to the notes regarding dishes which are suited to the dishwasher. Only in this manner will you obtain optimal washing results with a sensible use of energy.

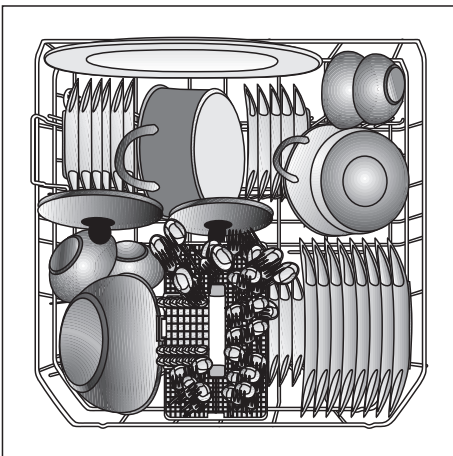
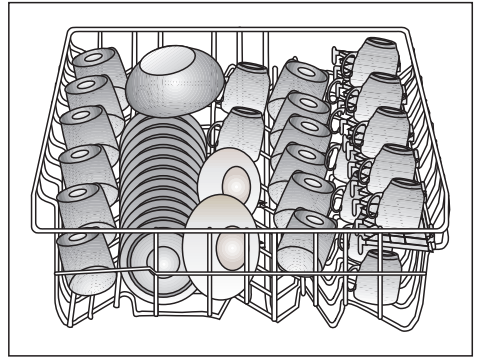
i Start unloading the dishes from the lower basket, then switch to the upper basket.

Suggestions for loading the dishwasher

Use the lower basket for plates, bowls, pots etc.

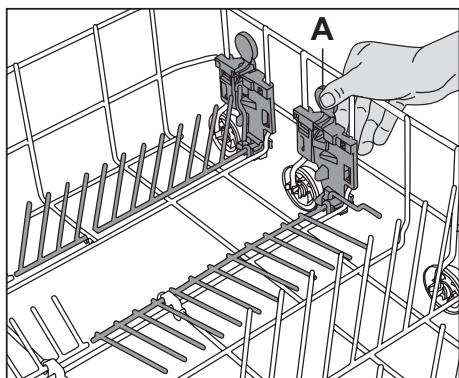
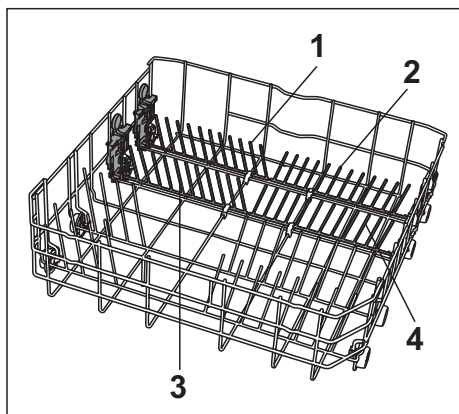
Loading suggestions

Load the upper basket with dessert plates, cups, glasses etc.



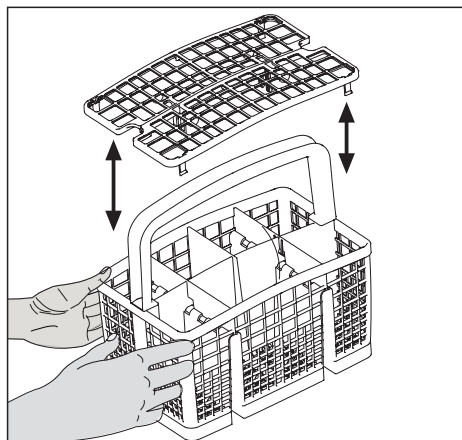
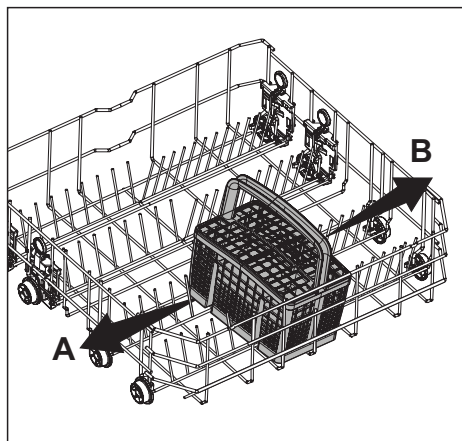
4 folding plate support rods (depends on the model)

There are four separate “folding plate support rods” in the lower basket of your dishwasher designed to allow you more space to accommodate saucepans and large bowls in the lower basket. You can either fold each section (1, 2, 3, 4) individually or, all at once, to create a large empty space. Simply press the handgrips (A) and fold them down”



Movable Cutlery Basket (depends on the model)

Designed to allow free placement of the dishes according to their size, the movable cutlery basket can slide over the tines to the left (A) and right (B) side.



Basket insert with variable height settings (depends on the model)

You can also use this insert in the lower basket for glasses and long-handled cutlery / utensils.

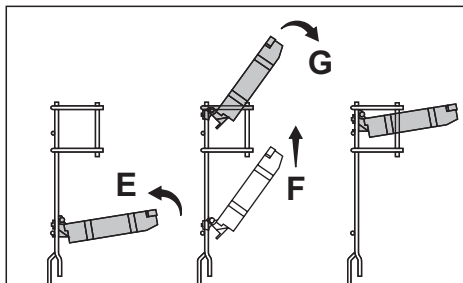
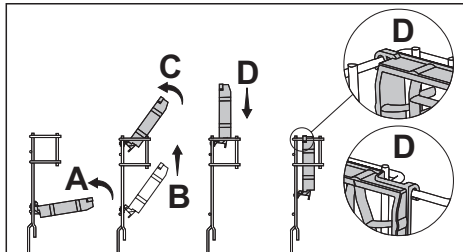
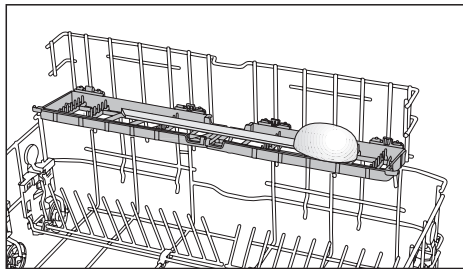
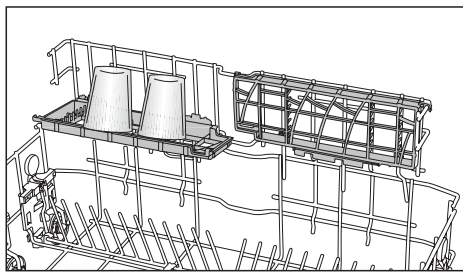
If you do not need the insert, fold the rack upwards at the angle shown (A).

Push the entire insert upwards (B). Place the insert in the upright position (C). Push the insert downwards and lock it into place with the holder (D).

When you want to use the basket again, reverse the procedure.

To set the height, push the rack upwards and fold it open in position (G).

When finished, check that the sprayer arm can still move freely.

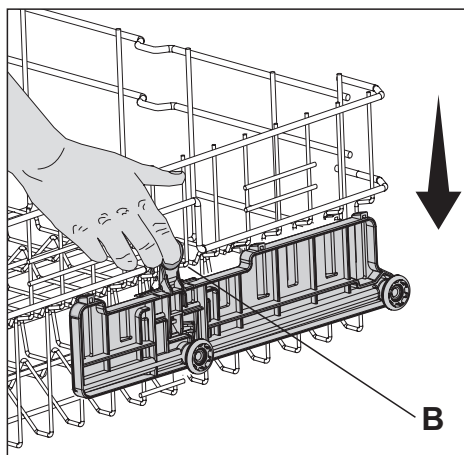
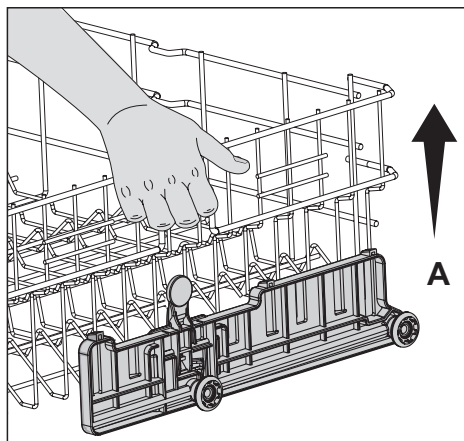


Upper basket with variable height setting (depends on the model)

The upper basket is equipped with a lifting mechanism which enables you to change the height of the basket without having to remove it from the dishwasher, even if it is fully loaded.

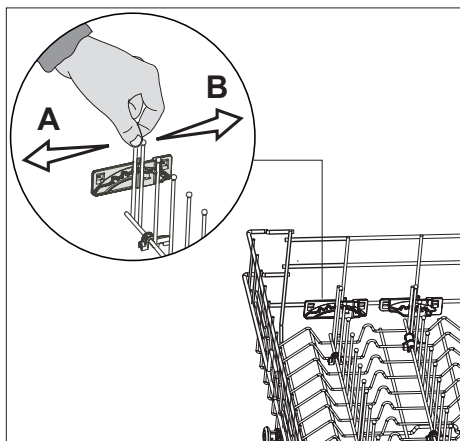
The height of the upper basket was set to its lowest position at the factory. To lift the upper basket to the “high” (A) position, hold it on one side and carefully pull it upwards. To lift the opposite side of the basket, hold it and pull it upwards in the same manner (A).

To lower the upper basket, hold the basket lever on one side and carefully lower the basket without releasing the lever (B). Repeat the procedure with the lever on the opposite side of the basket. Make sure that both levers catch at the same height.



Folding Tines (depends on the model)

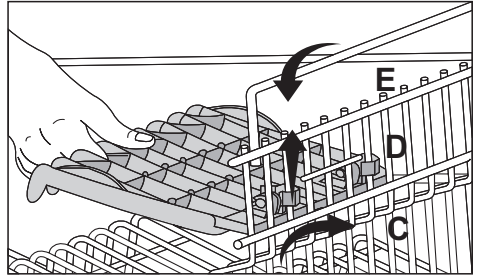
There are “folding tines” in the upper rack to allow you more space to accommodate glasses or cups. Simply pull in the first front folding tine, move it to left (A) and right (B) to place in another position. When you need, take the tines down until the tines fall down.



Rack

(depends on the model)

Depending on the size of the glasses and cups, the rack height setting may be adjusted (C, D, E).



Removable 3rd basket

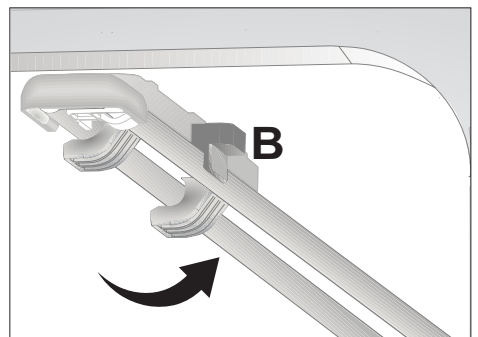
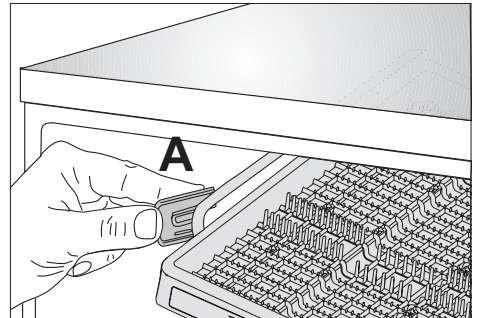
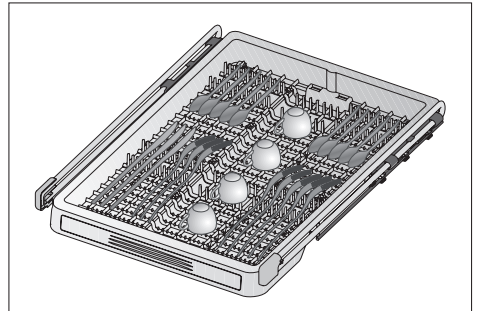
(depends on the model)

The Removable 3rd basket is designed for small dishes, or long dishes that cannot fit into the cutlery basket.

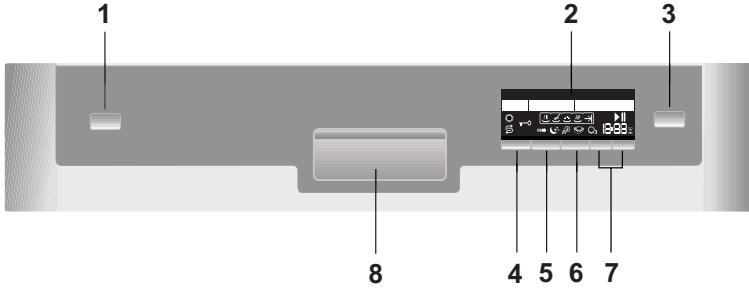
Thanks to the easy take-out feature, it allows removing the dishes from the machine together with the basket after washing operation. Since it can fit into all standard size drawers, there is no need to remove the dishes from the basket and place them separately into the kitchen drawers or shelves.

If you don't want to use the Removable 3rd basket, pull it back to yourself to remove it from the machine, rotate the rail lids (A) towards outside and pull them towards yourself to take them out. After taking out the basket by lifting it up, remove the carrier part from the rails by pulling it towards yourself. Replace the rail lids and push them back to seat them into their places. Turn the rails inside the machine outwards (B) to seat them properly in their places.

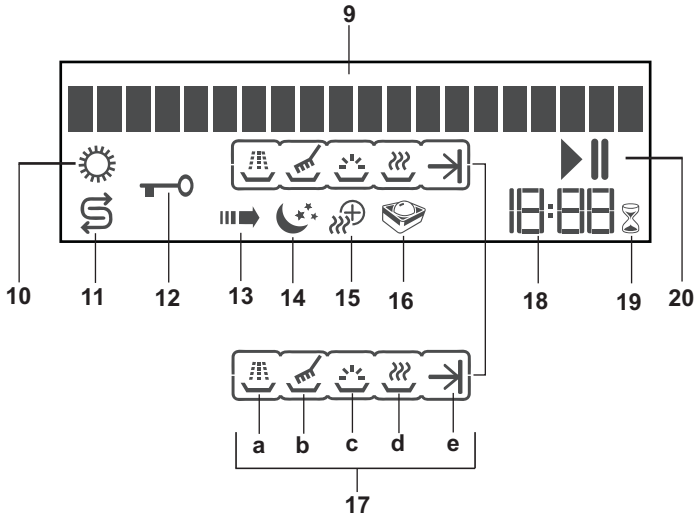
In order to put the Removable 3rd basket back into its place, repeat the same process in reverse order.



5 Program Selection and Operating Your Machine



- | | |
|------------------------------|--------------------------------|
| 1. On/Off Button | 5. Time Delay Button |
| 2. Display | 6. Confirmation Button |
| 3. Start/Pause/Cancel Button | 7. Selection Buttons (> - <) |
| 4. Function Button | 8. Handle |



- | | |
|------------------------------|---|
| 9. Screen Information Line | 17. Program Steps Follow-up Indicator |
| 10. Rinse Agent Indicator | a) Prewash Step |
| 11. Salt Indicator | b) Main Wash Step |
| 12. Keylock Indicator | c) Rinsing Step |
| 13. Quick Indicator | d) Drying Step |
| 14. Silent Indicator | e) End of Program Indicator |
| 15. Extra Drying Indicator | 18. Remaining Time/Delay Time Indicator |
| 16. Tablet Deterg. Indicator | 19. Time Delay Indicator (Sandglass) |
| | 20. Start (▶)/Pause () Indicator |

Buttons

On / Off Button (1)

When this button is set to on position, the display switches on with the last program used, and when it is set to off position the indicators on the display turns off.

Start/Pause/Cancel Button (3)

It is used to start, pause or cancel the selected program or delayed start function.

Function Button (4)

Enters into the Auxiliary Functions menu.

Time Delay Button (5)

Press to make the delay time settings.

Confirmation Button (6)

Used to confirm (store) the selections in Auxiliary Functions and Settings Menus.

Selection Buttons (> - <) (7)

Used to move forward in Program, Time Delay, Auxiliary Functions and Settings menus.

Auxiliary Functions

Quick Function (13)

It shortens the time of the washing cycle selected and decreases water consumption by enabling washing under higher pressure.

Silent Function (14)

It provides delicate and quiet washing by enabling washing under lower pressure.

Extra Dry Function (15)

It provides superior drying performance.

Tablet Deterg. Function (16)

This feature provides better drying performance with the multi-purpose detergents such as 3in1, 4in1, 5in1, all in one, etc., depending on the hardness level of the supply water.

Starting Your Machine

- Open the tap.
- Plug the mains plug into the wall socket.
- Open the door of the dishwasher.
- Place the dishes in accordance with the instructions in the user manual.
- Check if the upper and lower impellers rotate freely.
- Put sufficient amount of detergent in the detergent dispenser and close the door of the dishwasher.
- Press the On/Off Button.
- Check if the salt and rinse agent warning indicators (**10**, **11**) are on and add salt and/or rinse agent if needed.
- Determine your washing program with the aid of the Table of Program Data and Average Consumption Values.
- Select the washing program with selection buttons (> - <) (**7**).
- You can see the program time in the Remaining Time Indicator (**18**).
- If necessary, you can change your washing program as you prefer (**13,14,15,16**) by means of the Function Button (**4**).
- Start the program by pressing the Start/Pause/Cancel Button (**3**). Start (▶) Indicator will appear on the display.

⚠ Pay attention not to open the door of the machine when it is running. Stop the machine by pressing Start/Pause/

Cancel Button (3) if you have to open the door. Pause (II) Indicator will appear on the display. Then, open the door. There may be a rush of vapor when you open the door of your machine; be careful. Close the door of your machine and press Start/Pause/Cancel Button again. Program will resume running.

i Your dishwasher will remain in pause mode for about 15 minutes in order to entirely remove the water in the machine and on the dishes and to protect the resin in the salt reservoir. And then it will resume running in drying mode and the drying step indicator (17-d) will turn on.

- When the program is over, “**Finished**” will appear on the information line. End light will turn on in Program Steps Follow-up Indicator and remaining time indicator will display 00:00.



- Turn off your machine by pressing On/Off button (1).
- Close the tap.
- Unplug the mains plug from the wall socket.
- Leave your dishes in the machine for about 15 minutes after they are washed in order to have them cooled down. Your dishes will dry in a shorter time if you leave the door of your machine ajar during this period. **This will increase the drying effectiveness of your machine.**

Program Selection

You can select the desired program after turning on the machine by pressing the On/Off button. To do this: Press selection buttons (> - <) (7) to select the desired program. If you do not want to add auxiliary functions to the program, press Start/Pause/Cancel Button to start the selected washing program.

Once the program starts to run, Time Indicator will display the estimated remaining time to the end of the program.



i Your machine performs water softening depending on the hardness level of the supply water. Remaining time displayed towards the end in some programs can be different from the time indicated at the beginning due to this process. The total time can also change while the program is running depending on the ambient temperature where your machine is installed, temperature of the supply water and amount of the dishes.

Adding Auxiliary Functions to the Program

You can change the washing program as you prefer by adding auxiliary functions to it.

Washing programs of your dishwasher are designed to obtain the best cleaning, considering the type of the soil, soiling degree and properties of the dishes to be washed. These

functions are provided in order to enable you to save time, water and energy and to obtain more comfortable washing results. For example, if you think that your dishes are lightly soiled, you can make the washing program more economical and save time and water thanks to the Quick Function (**13**). This function reduces the washing time and water consumption by 25%.

If you are living in a zone where the price of electricity is cheaper during nights, you may wash your dishes by means of the Silent Function (**14**). You can set the machine to night silence and save without being disturbed by the noise. Silent function was also designed for delicate washing. If you wish your dishes be washed more sensitively, you can use this function.

You will obtain a better drying performance if you select the Tablet Detergent Function (**16**) in cases where you use a multi-purpose detergent.

Auxiliary functions are not suitable for all washing programs. You will notice that the indicators of the auxiliary functions that can not be selected for a particular program will be turned off. You can use the following table for valid features.

Program	Application of the Functions			
	Quick	Silent	Extra Dry	Tablet Detergent
Auto 40-65 °C	-	-	-	-
Prewash	-	-	-	-
Mini 35 °C	-	-	+	+
Delicate 40 °C	+	+	+	+
Economy 50 °C	-	-	+	+
Economy 6L	-	-	+	+
A Express	-	-	+	+
Intensive 65 °C	+	+	+	+
Hygiene+	-	-	+	+
Mix Wash	+	+	+	+

"-" indicates that the function can not be selected and "+" indicates that the function can be selected together with the relevant program.

To add auxiliary functions to the program:

1. Press selection buttons (**7**) to select the desired washing program. Press function button (**4**) to enter into the auxiliary functions menu.
2. Select the auxiliary function that you wish to add to the program by pressing the Selection Buttons (**7**) and then press Confirmation Button (**6**). Make sure that the indicator of the selected auxiliary function (**13**, **14**, **15**, **16**) turns on.
3. Press Start/Pause/Cancel Button (**3**) to start the program.

Press Function Button (**4**) again to return to the "Main Menu" (program selection screen) without adding auxiliary functions to the washing program.

Quick and Silent Functions cannot be selected concurrently. If the other function is selected when either of these functions is already selected, your machine will warn you with the **Can not be selected together!** message. The last selected function will become active and its indicator will turn on. If you press the same function button twice, you will notice that the indicator will turn on with the first press, and it will turn off and the selection will be cancelled with the second press.

Different from the other functions, the Tablet Deterg. Function will remain selected unless you cancel this function by pressing the relevant button once again after you have selected it. Only in cases of selecting the “Prewash” and “Blink” programs in which this function is not valid, you will see that the function indicator is turned off.

When you change the program while one or more than one of the functions apart from the Tablet Detergent function are selected, you will see that the relevant function indicator on the display will turn off and the selections will be cancelled. You will need to add the suitable functions again for the newly selected program.

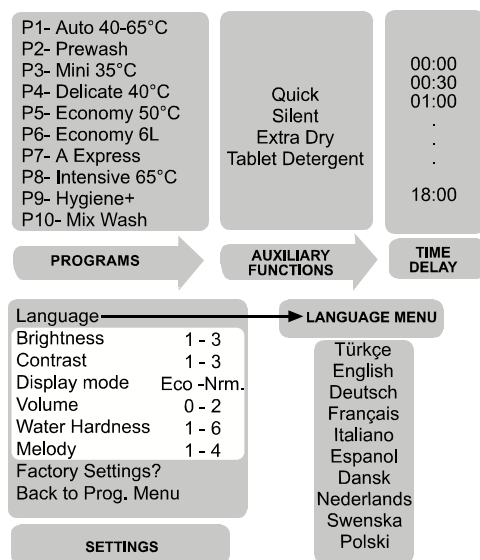
Changing a Program

Press Start/Pause/Cancel Button first to switch your machine into pause mode if you want to change your selection after you have started the program. Switch to the desired program by pressing the Selection Buttons (7). Start the new program by pressing Start/Pause/Cancel Button again. Your new selection will resume

operation from the step in the previous program (For example, if the previous program was in rinsing step, the new one will also start from the rinsing step).

If you want to run the newly selected program from the very beginning, you have to apply the cancellation process first and then select a new program.

Configuration of menus



Machine Settings

You can use the Settings Menu to change the Language, Screen Brightness, Contrast, Display mode, Volume, Water Hardness and Melody settings you are going to use in the dishwasher or Restore Factory Settings.

To enter into the “Settings Menu”:

1. Press On/Off Button (1) to turn on your dishwasher.
2. Press “Function” (4) and “Time Delay” (5) buttons together for 3 seconds.

Settings Menu...1

Language : English

3. "Settings Menu...X" will appear on the display, where X indicates the time (in seconds) during which the buttons need to be kept pressed.
4. After entering into the Settings menu, press Function button (4) to switch between the main menus. You will switch to the next main menu with each press of the button. You will switch to the first main menu if you press the Function Button while you are in the final main menu. (**Language Selection, Screen Brightness, Contrast Setting, Auto Door Open, Display mode, Volume, Water Hardness Setting, Melody Settings, Factory Settings?, Back to Prog. Menu**)
5. Press "> - <" Selection Buttons (7) to make changes in the submenu.
6. Press Confirmation Button (6) to store your changes in the submenu.
7. "*** **Stored!** ***" will be displayed after you press the Confirmation Button.
8. If you press Function Button without making any changes in the submenu, you will switch to the next settings menu and submenu values will not be stored.
9. Select "Back to Prog. Menu" and press Confirmation Button to exit the Settings Menu.

Time Delay, Start/Pause/Cancel Buttons have no function in settings menu. Pressing these buttons has no effect.

There are 10 different language options in the Language Selection menu.

You need to adjust the Water Hardness level to one of the following values that suits the properties of your supply system:

- 1- Lime free,
- 2- Very little limy
- 3- Less limy
- 4- Mediocre limy
- 5- Limy
- 6- Very much limy

You may determine the hardness level of the supply water by means of the hardness measurement kit supplied together with the dishwasher. Please refer to the Adjusting the Water Softening System section in the user manual for detailed information.

You may enable the dishwasher to warn you audibly thanks to the Volume setting. You can select one of the following options:

- 0- Off
- 1- Medium
- 2- High

You may adjust Screen Brightness between 1 - 3.

You may adjust Screen Contrast between 1 - 3.

You may adjust Melody between 1 - 4.

Auto Door Open

Unless you disable Auto Door Open function, the door of your machine will open automatically at the end of washing cycle, providing a better drying efficiency

and power saving. There are two options, namely On and Off. This function is set to “On” in the factory.

i Your machine gives an audio warning before Auto Door Open function runs. And the door of your machine opens automatically within 2 minutes. The lock mechanism prevents the door from being closed for the next 1 minute. Do not try to close the door during this period.

i The door of your machine can not be closed for 1 minute after it is opened automatically by the Auto Door Open function.

i Do not unload your machine for 30 minutes after the door is opened automatically. Thus, you will obtain a better drying performance.

⚠ Do not stand in front of the door in order not to hinder the door when you hear the door opening signal.

i If you want to disable Auto Door Open function:

1. Press On/Off button (1) to turn on your dishwasher.
2. Press “Function” (4) and “Time Delay” (5) buttons together for 3 seconds.
3. “Settings Menu...X” will appear on the display, where X indicates the time (in seconds) during which the buttons need to be kept pressed.
4. After entering in the Settings menu, press Function Button (4) until **Auto Door Open: On** appears on the display.
5. Select Off with “> - <” Selection Buttons (7).
6. If you see “** Stored! **” after pressing the Confirmation Button (6), Auto Door Open function will be

disabled for all programs. If you want to enable this function again, set it to “On” in step 5 above.

Display mode menu contains Eco and Nrmal options. If you select Eco, your dishwasher will decrease the screen brightness automatically after a while and save energy. If you select Nrmal, screen brightness will not be changed.

Factory Settings

Proceed as indicated below to cancel all your settings and restore the factory settings:

1. Enter into the “Settings Menu” (Press Function and Time Delay Buttons together for 3 seconds)
2. When the Main Menu is displayed, keep the Function Button pressed until “Restore Factory Settings?” is displayed.



3. Factory Settings menu do not have any submenus and it is enough to press “Confirmation Button” to reset the settings.
4. Exit the menu after “** Stored! **” is displayed.

When Factory Settings? menu is selected, following values will appear:
Language = Turkish
Screen Brightness = 2
Contrast = 2
Display mode = Nrmal
Volume = 1
Water Hardness = 3
Melody = 3

Scheduling the washing time Time Delay

You can delay the start of the selected program until 18 hours. Delayed start can not be set after the program starts. The selected program must not be started in order to be able to set the delay time.

1. Press Time Delay Button **(5)** to enter into the "Time Delay" menu.
2. Screen Information Line will display "0:00" and Sandglass **(19)** will start flashing.
3. Press Selection Buttons (> - <) **(7)** to set the desired delayed start time. ">" button increases the delayed start time by 30 minutes and "<" button decreases the delayed start time by 30 minutes.

Press "Start/Pause/Cancel" button **(3)** to start countdown for the delay time. Sandglass will continuously light until the end of countdown. Remaining Time Indicator will display the Delay Time. Selected program will start automatically when the countdown is over. Then, the time needed for completion of the running program will be displayed on the screen.

Press Delayed Start **(5)** button again to return to the "Main Menu" (program selection screen) without setting any time delay in the Delayed Start Menu.

Confirmation Button does not have any function in the Time Delay menu and the system will not react when you press it.

Changing a program or function during delayed start:

Press Start/Pause/Cancel Button to switch the dishwasher into

pause mode. Countdown stops and Sandglass indicator starts flashing. (When you press the buttons without switching the dishwasher into pause mode, **Time Delay Active !** warning will be given)

After the countdown stops, you can change the washing program and add or remove auxiliary functions as described in Program Selection and Adding Auxiliary Functions to the Program sections.

Press "Start/Pause/Cancel" button again to restart countdown for the delayed start.

Canceling process or new time setting during delayed start:

If you want to readjust the delay time, press Start/Pause/Cancel Button again to stop the countdown. Press Time Delay Button to enter into the "Time Delay Menu". Adjust the Delay Time again with Selection Buttons (> - <). Press Start/Pause/Cancel Button **(3)** to restart the countdown for the delayed start.

Press Start/Pause/Cancel Button for 3 seconds to cancel the delayed start. "Program Cancelling...X" will appear on the display, where X indicates the time (in seconds) during which the buttons need to be kept pressed. This process will cancel the countdown for delayed start.

Canceling a Program

Press Start/Pause/Cancel Button for 3 seconds to cancel the program. "Program Cancelling...X" will appear on the display, where X indicates the time (in seconds) during which the buttons

need to be kept pressed. “* **Finished**” warning, which normally appears at the end of the program, will be displayed 1 minute after the process has started. After this, you can set the new program, function or time on the dishwasher.


i There might be residues of detergent or rinse agent in the machine and/or on the pieces already washed depending on the step the cancelled program was in at the time of such cancellation.

Program Follow-up


You can follow-up the washing step in which the current program is in from the Program Steps Follow-up indicators (17) on the display.



“” Prewash Step follow-up indicator

“” Main Wash Step follow-up indicator

“” Rinsing Step follow-up indicator

“” Drying Step follow-up indicator

“” End of Program indicator

i If the Extra Dry function is not selected in the “Blink 20” and “Mini 35” programs, then the drying step indicator will not light up.

As soon as the rinsing step is completed, your dishwasher will switch to pause mode for 15 minutes in order to allow the water on the dishes and in the machine to be removed completely, and the water softener to be cleaned. After this period, your dishwasher will resume its operation and drying

indicator will turn on.

As soon as the program is completed, “* **Finished**” will appear on the display and Program Follow-up Indicator will turn on. Remaining Time Indicator displays “00:00”.

If you did not turn off the audio signal of your dishwasher by setting the Volume to 0, then it will warn you with the melody you have selected. You may mute the audio warning by pressing any button except the “Start/Pause/Cancel” Button or by opening the door. The audio warning will also stop automatically after 2 minutes.

Child (Key) Lock

You may prevent other people to interrupt and change the program cycle and delay time while the dishwasher is running.

Press “Time Delay” and “Confirmation” buttons together for 3 seconds after the program has started. “Enabling Key Lock...X” will appear on the display, where X indicates the time (in seconds) during which the buttons need to be kept pressed. All buttons are locked at the end of this period, “**Keylock Activated**” will appear on the display and relevant indicator (12) will turn on. All buttons will be nonfunctional when child lock is selected.



To deactivate the child lock: Press “Time Delay” and “Confirmation” buttons together for 3 seconds. “Unlock...X” will appear on the display,

where X indicates the time (in seconds) during which the buttons need to be kept pressed. Key lock is deactivated and “**Keylock Deactivated**” message is displayed at the end of this period. Key lock Indicator turns off.

Warning Messages

Your machine will give you some important feedbacks while it is running.



Check the Filter

Remove your filter and clean it under running water. If there is remained water in the tank, perform the Cancellation and have the water in the tank drained. Clean any leftover deposits that have piled up in the bottom of the tank, blocking the water path. Clean the interior of your machine and the tank by running a prewash program without detergent or a long washing program with detergent based on the degree of dirtiness. Please always make sure that you scrape the large food remnants on your dishes into a dustbin using a fork, paper towel or a napkin before placing them into the machine.



No Water !

1. Make sure that the water is not cut-off.
2. Make sure that the tap is open.
3. Call the service if water is not cut-off and the tap is open.



Call Service

It is possible that your machine has taken in plenty of water due to various reasons. Call the service.

Salt Indicator

Please check the salt indicator on the display to see whether there is adequate amount of softening salt in the dishwasher or not. You need to refill the salt reservoir with salt whenever the no salt warning indicator appears on the display of your machine.



Rinse Agent Indicator

Please check the rinse agent indicator on the display to see whether there is adequate amount of rinse agent in the dishwasher or not. You need to refill the rinse agent dispenser with rinse agent whenever the no rinse agent warning indicator appears on the display of your machine.



Programme Table 1

Programme number	1	2	3	4	5 Reference *	6	7	8	9	10
Programme name	Auto	Prewash	Mini	Delicate	Economy	Economy 6L	A Express	Intensive	Hygiene+	Mix Wash
Cleaning temperature	40-65°C	-	35°C	40°C	50°C	50°C	60°C	65°C	70°C	70°C
Suitable for Degree of soiling	Determines the soiling degree of the dishes and sets the temperature and amount of the washing as the programme automatically. Suitable for all types of dishes.	Suitable for removing the remnants on the soiled dishes that will be kept waiting in the machine for a few days, during the load pre-washing, to avoid odor buildup.	Suitable for washing very lightly soiled dishes, that are not kept waiting, in a fast way.	Suitable for lightly soiled daily dishes that are scraped or pre-cleaned.	Most economical washing program for the medium soiled daily dishes that are kept waiting.	Most economical washing program for the medium soiled daily dishes that are kept waiting.	Daily washing program at which the medium soiled dishes that are kept waiting are cleaned in the latest way.	Suitable for heavily soiled dishes, pots and pans.	Suitable for the dishes which require extra hygiene such as articles for babies. Also suitable for heavily soiled dishes.	The best suitable program for the mixed nature of the daily dishes. Glass and crystal utensils are washed in the upper basket while the pots and pans are washed powerfully in the lower basket.
Detergents A=25 cm ³ /15 cm ³ B=5 cm ³	Medium to high A	-	Few B **	Few A	Medium A+B	Medium A+B	Medium A+B	High A+B	High A+B	Medium A+B
Programme sequence (without options)	The programme sequence is adjusted to the amount of soiling	Pre-wash ▼ End	Wash ▼ Cold rinse ▼ Hot Rinse ▼ End	Wash ▼ Cold rinse ▼ Hot Rinse ▼ End	Pre-wash ▼ Wash ▼ Cold rinse ▼ Hot Rinse ▼ Dry ▼ End	Pre-wash ▼ Wash ▼ Cold rinse ▼ Hot Rinse ▼ Dry ▼ End	Wash ▼ Cold Rinse ▼ Hot Rinse ▼ Dry ▼ End	Pre-wash ▼ Wash ▼ Cold Rinse ▼ Hot Rinse ▼ Dry ▼ End	Pre-wash ▼ Wash ▼ Cold Rinse ▼ Hot Rinse ▼ Hot Rinse ▼ Dry ▼ End	Pre-wash ▼ Wash ▼ Cold Rinse ▼ Hot Rinse ▼ Hot Rinse ▼ Dry ▼ End
Duration (min)	92-166	15	62	92	194	185	86	149	135	135
Water (l)	10,4-14,2	4	10,4	13,4	10	6	10,2	16,2	17,8	18,6
Energy (kWh)	0,80-1,26	-	0,68	0,74	0,74	1,06	1,04	1,08	1,4	1,44
Left-on mode / Off mode (W) ***	0,94 / 0,53									

The consumption values shown in the table were determined under standard conditions. Differences may therefore occur under practical conditions.

(*) Reference programme for testing institutes

(**) Reference programme with EN 50242 must be carried out with a full water softener salt dispenser and a full rinse aid reservoir, and using the test programme.

(***) Only powder detergent use.

(****) The consumption values given on the table are valid only when the "Automatic door open" feature is on.

(*****) Power consumption in off-mode and left-on mode are measured according to EN 62301.

6 How to clean your dishwasher

Cleaning your machine at regular intervals ensures longer product life and reduces the risk of recurring problems.

⚠ Always unplug the machine and turn off the water supply before cleaning. Use a gentle household cleaner for the outside and the door seals. Clean the control panel only with a moist cloth and clear water.

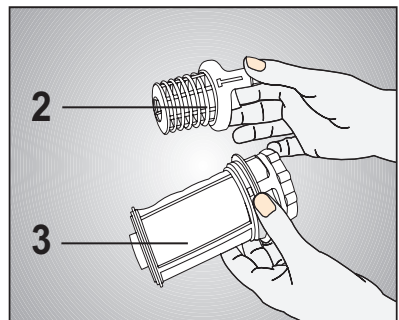
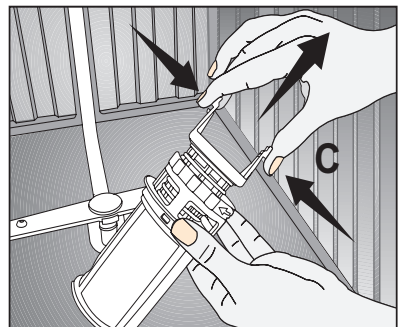
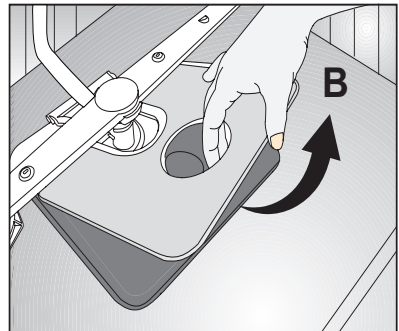
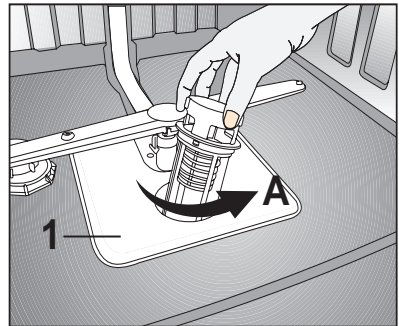
Cleaning the filters

Clean the filters and the spray arms regularly. A dirty machine will have a negative effect on the cleaning results.

1. Main filter
2. Coarse filter
3. Micro filter

1. Remove the lower basket from the machine.
2. Turn the coarse filter to the right and pull it out in an upward direction (A).
3. Pull out the main filter (B).
4. Press on the two tongues of the coarse filter and remove the micro filter (C).
5. Clean the filters thoroughly under running water. Use a brush if necessary.
6. Replace main filter.
7. Replace the micro filter and the coarse filter into the main filter. Twist it clockwise until it clicks in.

i Do not operate your dishwasher without a filter. Ensure that your filters are correctly installed. Clean the filters regularly.

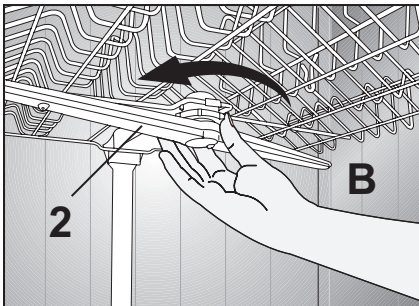
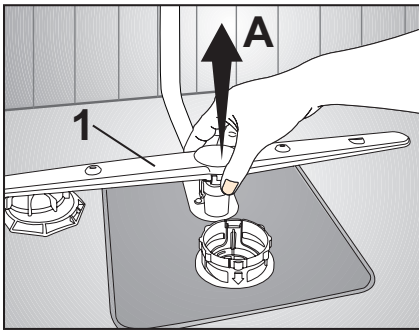


Cleaning the spray arms

Dirt or calcium residue may block the nozzles on the spray arms. For this reason, regularly check the spray nozzles.

1. Lower spray arm
 2. Upper spray arm
-
1. Remove the lower basket from the machine.
 2. Pull off the lower spray arm in an upward direction (**A**).
 3. Loosen the fastening screw of the upper spray arm and pull off the spray arm (**B**).
 4. Clean the spray arms under running water.
 5. Replace the spray arms.

i Ensure that the fastening screws are screwed tight.



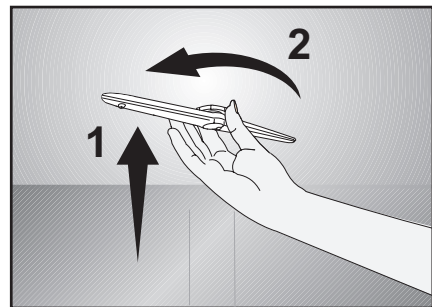
Cleaning the filter inset in the water inlet hose (depends on the model)

Dirt from deposits in the water pipes is prevented by a filter in the water inlet hose. Check the filter and the water inlet from time to time.

1. Close the water tap and unscrew the water inlet hose.
2. Take out the filter and clean it under running water.
3. Replace the cleaned filter.
4. Fasten the water inlet hose to the water tap again.

Check if the holes on the top of the additional upper spray arm are clogged. If they are clogged, remove and clean them.

To remove them, slightly (**1**) push them upwards and then turn clockwise (**2**). To replace the impeller, seat it into its slot, push slightly upwards and turn it anticlockwise until it is securely fitted. When the impeller is released, check if it rotates without any obstruction.



7 Troubleshooting:

What to do if the dishwasher will not run

- Check that the mains plug is properly connected.
- Are all fuses working?
- Is the water supply fully turned on?
- Is the dishwasher door closed firmly?
- Have you pressed the On/Off button?
- Is the filter on the water intake and dishwasher clogged?

The cleaning results are unsatisfactory



Uncleaned Dishes

Disorderly placement

- Load your dishes as described in the manual.

Program selection

- For products with program selecting feature, choose a longer program that washes in higher temperatures.

Blocked impellers

- Prior to starting the program, ensure by turning by hand that the upper and lower impellers are freely rotating.

Clogged filters

- From time to time, remove the complete filter system as shown in the manual and wash it under flowing water.

Misplaced or displaced filters

- After washing the filter system, replace them as shown in the manual.

Clogged impeller holes

- Take out and clean the impellers from time to time as shown in the figure.

Overloading the baskets

- Do not overload the baskets in excess of their capacity

Detergent kept under unsuitable conditions

- If you are using powder detergents, do not store them in humid places after you open their boxes. Keep them in a closed container, if possible. For ease-of-storing, we recommend you to use tablet detergents.

Inadequate detergent

- If you are using powder detergents, adjust the amount of detergent according to the soiling degree of your dishes and/or program definitions. We recommend you to use tablet detergents for optimum results.

Inadequate rinse aid

- Increase rinse aid setting or add rinse aid into rinse aid compartment.

Unsealed detergent dispenser lid

- Always ensure that the detergent compartment lid is closed tightly after every detergent filling process.

Drying

Disorderly placement

- Load your dishes as described in the manual.

Inadequate rinse aid

- Increase rinse aid setting or add rinse aid into rinse aid compartment.

Unloading the machine right after dishwashing

- Do not unload your dishwasher right after washing process is completed. Slightly open the door and wait for evacuation of the inside steam for a while. Unload the dishes after the pieces cool down to a touchable level. Start unloading process from the lower basket.

Program Selection

- For products with program selecting feature, choose a longer program that washes in higher temperatures.



Tea, Coffee And Lipstick Stains

Program Selection

- For products with program selecting feature, choose a longer program that washes in higher temperatures.

Detergent kept under unsuitable conditions

- If you are using powder detergents, do not store them in humid places after you open their boxes. Keep them in a closed container, if possible.
- For ease-of-storing, we recommend you to use tablet detergents.

Usage of silverware-kitchenware with corrupted surface quality

- Silverware or kitchenware with corrupted surface quality should not be washed in dishwashers.



Lime Stains, Hazy Look

Inadequate rinse aid

- Increase rinse aid setting or add rinse aid into rinse aid compartment.

Insufficient water softening

- In products equipped with water softening setting, water softening should be properly set in accordance with the hardness of the supply water. Add salt into the salt container, if necessary.

Salt leakage*

- Use the supplied salt funnel while filling in softening salt. Make sure that the salt box cover is tightly closed after finishing the filling process. Run a washing program to clean up the salts spilled in the machine. Recheck the salt box cover after the program is completed.

Metallic Look In Bluish Rainbow Color

Excessive rinse aid

- Lower rinse aid setting.



Hazy, Milky-Dish Look And Bluish / Rainbow Color Appearance In Glassware When They Are Hold Against Light

Glass corrosion due to soft water

- In products equipped with water softening setting, water softening should be properly set in accordance with the hardness of the supply water. If your supply water is soft (<5dH), do not use salt. For products with program selecting feature, choose programs that wash in higher temperatures (e.g. 60-65°C).



Scratch / Break In Glassware

Kitchenware containing Aluminum

- Kitchenware that contains aluminum should not be washed in dishwashers.

Salt leakage*

- Use the supplied salt funnel while filling in softening salt. Make sure that the salt box cover is tightly closed after finishing the filling process. Run a washing program to clean up the salts spilled in the machine. Recheck the salt box cover after the program is completed.

Low water softening setting, inadequate salt*

- In products equipped with water softening setting, water softening should be properly set in accordance with the hardness of the supply water. Add salt into the salt container, if necessary.

Detergent kept under unsuitable conditions

- If you are using powder detergents, do not store them in humid places after you open their boxes. Keep them in a closed container, if possible. For ease-of-storing, we recommend you to use tablet detergents.

Overloading the baskets

- In order to avoid scratches and breaks in glasses and other glass tableware because of collision with each other during washing process arising from their placement, do not overload the baskets in excess of their capacity.



Rusts, Blackening And Corruption Of Surface

Unsealed closing of the salt box cover*

- Salt may cause oxidation on metal surfaces. Use the supplied salt funnel while filling in softening salt. Make sure that the salt box cover is tightly closed after finishing the filling process. Run a washing program to clean up the salts spilled in the machine. Recheck the salt box cover after the program is completed.

Grounding line

- Check if your dishwasher is connected to the actual grounding line. Otherwise, the static electric created in the dishwasher may remove the protective coating on metal surfaces and cause blackening and corruption.



Detergent Remains In The Detergent Dispenser

Damp detergent compartment

- Make sure that the detergent dispenser is well dried prior to filling it with detergent.

Putting detergent in the detergent dispenser long before washing

- Take care that detergent is put shortly before startup of washing.

Blocking the opening of detergent dispenser lid during washing

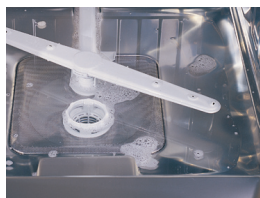
- Ensure that the lid of detergent dispenser is not blocked by improperly loaded dishes. The detergent dispenser lid should open without any block during washing.

Detergent kept under unsuitable conditions

- If you are using powder detergents, do not store them in humid places after you open their boxes. Keep them in a closed container, if possible. For ease-of-storing, we recommend you to use tablet detergents.

Clogged impeller holes

- Take out and clean the impellers from time to time as shown in the figure.



Water Remained In The Dishwashing Compartment After Washing

Clogged filters

- From time to time, remove the complete filter system as shown in the manual and wash it under flowing water.

Blocking / twisting of drainage hose

- Connect the drainage hose as described in the manual.

Odour

Odor of new dishwasher

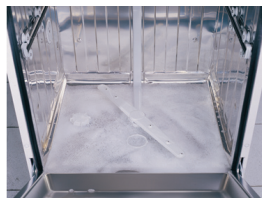
- A new dishwasher has a peculiar odor. It will fade out after a couple of washings.

Clogged filters

- From time to time, remove the complete filter system as shown in the manual and wash it under flowing water.

Leaving the dishes in the dishwasher for a long time

- If you are not going to run your dishwasher immediately, load the dishes into your machine after scraping the excessive soil on them and do not tightly close the door of the machine. Every other day, perform washing without detergent in the shortest program for products with program selecting feature.



Foam

Loading the dishes into the dishwasher without completely drying after washing them with hand-wash detergent.

- Hand-wash detergents do not contain antifoam. There is no need to hand-wash the dishes with detergent before loading the dishes into the machine. Scraping the coarse soil on the surfaces with a tissue paper or fork will be sufficient.

Spilling rinse aid in the machine while filling

- Take care that rinse aid is not spilled in the machine when you are filling it. Clean any spilled amount with the help of a tissue paper/towel.

Leaving the rinse aid lid open or not closing it

- Rinse aid compartment should always be closed as shown in the manual after it is filled with rinse aid.



Erasing Of Decorations

Usage of decorated glasses and porcelains

- Decorated glasses and decorated luster porcelains are not suitable for dishwasher washing. Manufacturers of glassware and porcelain tableware items do not recommend washing these items in the dishwashers either.

*: In products with a salt container

Service

If your appliance ever malfunctions, check the notes and advice given in the operating manual.

If this does not fix the problem, our customer service staff are available to assist you.