

Dishwasher

**BEKO**

Dear customer,

Please read carefully right through this instruction booklet before installing or operating your dishwasher. The following instructions should prevent the risk of personal injury and/or damage to the appliance.

Please keep these documents in a safe place for later reference.

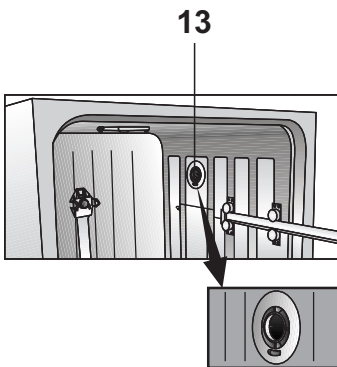
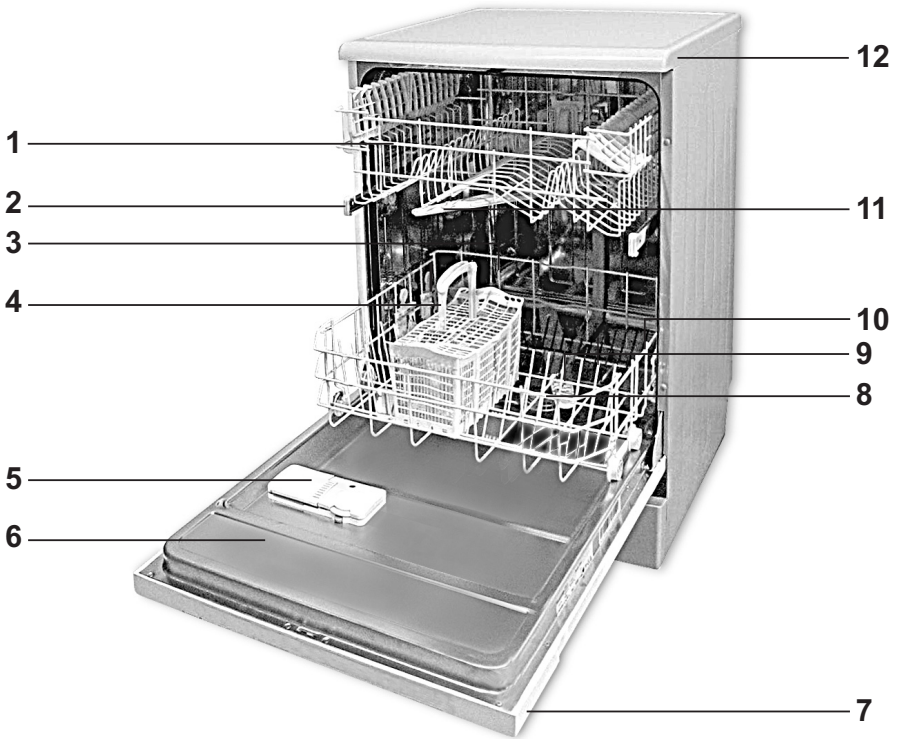
This operating manual has been written for several different machines, and some of the features mentioned here may not apply to your particular model.

## TABLE OF CONTENTS

<b>1 Getting To Know Your Machine</b>	<b>3</b>	<b>5 Program Selection and Operating Your Machine</b>	<b>20</b>
View of the Machine	3	Button and Button Descriptions	21
Technical Specifications	4	Program Selection	22
<b>2 Safety Instructions</b>	<b>4</b>	Adding Functions to the Program	22
Before Installation	4	Program Steps Follow-up	22
Before First Use	4	Canceling a Program	22
Child Safety	4	Changing a Program	23
For daily operation	5	Programming the Delayed Start	23
Problems	5	Usage of Child Lock	24
What should not be washed in your dishwasher	5	Salt Indicator	24
		Rinse Aid Indicator	24
		Rinse Aid Indicator Setting	24
		Starting Your Machine	24
		Programme Table	26
<b>3 Directions for Assembly</b>	<b>6</b>	<b>6 How to clean your dishwasher</b>	<b>27</b>
Safety notes for installation	6	Cleaning the filters	27
Installing Your Dishwasher	6	Cleaning the spray arms	28
Water connection	7	<b>7 Troubleshooting:</b>	<b>29</b>
Connect water inlet hose	7	What to do if the dishwasher will	
Water drainage	8	not run	29
Electrical connection	8	The cleaning results are	
Disposal	8	unsatisfactory	29
		Service	35
<b>4 Using Your Dishwasher</b>	<b>9</b>		
Filling the dishwasher salt	9		
When operating for the first time:	9		
Filling the Rinse Aid Dispenser	11		
Filling the Detergent Dispenser	11		
Detergent	12		
Multipurpose Detergents	13		
Loading the dishwasher	13		
Suggestions for loading the dishwasher	14		
Loading suggestions	17		

# 1 Getting To Know Your Machine

## View of the Machine



1. Upper dish basket with shelf
2. Guide rail for the upper dish basket
3. Salt container
4. Cutlery basket
5. Detergent dispenser
6. Door
7. Control panel
8. Filters
9. Lower sprayer arm
10. Lower basket
11. Upper sprayer arm
12. Housing (depends on the model)
13. Turbo fan heat drying system (depends on the model)

## Technical Specifications

**Permitted water pressure:** 0,3 –10 bar (= 3 – 100 N/cm<sup>2</sup> = 0,01-1,0Mpa)

**Electrical connection:** 230 Volts, 10 Amps (see type plate)

**Output:** 2000 W

**Heat output:** 1800 W

**This device corresponds to the following EU directives:**

**2006/95/EC:** Low Voltage Directive

**89/336/EC:** EMV Directive

**93/68/EC:** CE Marking Directive

**DIN EN 50242:** Electrical dishwasher for home use Testing procedures for practical service conditions

Because we continually strive to

improve our products, we may change our specifications and designs without prior notice.

### Note for Testing Institutes

The necessary information for performance testing will be provided upon request. The request can be done by e-mail through:

**dishwasher@standardloading.com**

Please do not forget to write the model code and stock code information of the appliance besides your contact information in the e-mail. The model code and stock code information can be found on the rating label, which is placed on the side of the door.

## 2 Safety Instructions

### Before Installation

Check the appliance for transit damage. Never install or use damaged machines. If in doubt, contact your supplier.

### Before First Use

- See Notes for Installation on page 6.
- Have the grounding system installed by a qualified electrician. The manufacturer cannot be held liable for any damage caused by operating the appliance without proper grounding.
- Before operating the system, please check that the information on the type plate corresponds to the information on your power supply.
- The dishwasher must be

disconnected from the mains during installation.

- The appliance must not be connected to the mains using an extension cable. Extension cables do not provide the necessary safety (e.g. danger of overheating).
- Always use the original plug delivered with the appliance.
- The plug must be freely accessible after the appliance has been installed.

### Child Safety

- Do not allow children to play with the appliance.
- Dishwasher detergents are caustic and may cause injury to the eyes, mouth and throat. Please note the safety instructions provided by the

- manufacturers of the detergents.
- Never leave children unsupervised while the appliance is open, as the appliance may still contain detergent leftovers.
- The water in the dishwasher is not drinking water. Danger of caustic injuries.
- Always place long and sharp/pointed objects (e.g. serving forks, bread knives) into the cutlery basket with the pointed end down or flat on the upper basket to avoid possible injuries.

### For daily operation

- Use your appliance only for the following domestic uses: Washing household dishes.
- Do not use chemical solvents in the appliance; there is a danger of explosion.
- Do not sit or stand on the opened door or place other objects on it. The appliance may tip over.
- Do not open the door while the appliance is running, as hot water or steam may escape.
- Do not leave the door open – an open door can be a hazard.

### Problems

- Repairs and modifications to the appliance may only be carried out by qualified customer service personnel.
- In the event of a problem, or before performing a repair, disconnect the appliance from the mains supply:
  - disconnect the appliance by pulling out the mains plug
  - shut off the power.
- Do not pull on the cable – pull on

the plug. Turn off the water supply tap.

### What should not be washed in your dishwasher

- Rust sensitive steel parts
- Cutlery with wooden or horn handles
- Cutlery with mother of pearl or porcelain handles
- Non heat resistant plastic parts
- No glued dish or cutlery parts
- No items made out of copper, tin or aluminium
- Sensitive decorative glasses and porcelain parts
- Lead crystal glasses
- Art and crafted articles
- Aluminium and silver tend to discolour
- Glass and crystal articles may lose their shine over time
- Sponges and dishcloths

#### Note

Do not wash items soiled with cigarette ash, candle wax, varnish, paints or chemicals.

#### Recommendation:

When buying new dishes, note whether they are suitable for the dishwasher. (marked as dishwasher proof)

## 3 Directions for Assembly

---

### Safety notes for installation

Prior to installing and using your appliance, please check it for possible transit damage.

If the appliance is damaged, please contact your supplier.

Never install or use a damaged appliance.

The following directions must be followed to connect the dishwasher properly.

- Before operating your dishwasher, please ensure that the information on the type plate corresponds to the current and voltage of your power supply.
- The appliance may only be connected using a properly grounded socket. Ensure that the appliance is grounded according to regulations.
- The grounded socket must be easily accessible and close to the appliance.
- Do not use extension cables or multiple adapters, as this can lead to overheating, which can be a fire hazard.
- Hardwiring may only be carried out by a qualified electrician.
- Check the power cable, the water inlet hose and the drainage hose. Damaged parts may only be replaced by customer service personnel or by a qualified electrical service expert.

### Installing Your Dishwasher

- Choose a suitable location for your dishwasher. Take care to ensure that the appliance is stable on a level surface.
- Unevenness in the floor can be equalised by adjusting the screw feet. When the appliance is standing correctly, the door can be closed without difficulty.
- Water inlet and drainage hoses must be positioned so that they can move freely without bending or squeezing.
- The appliance may not be installed in a room where the temperature is below 0° Celsius.

## Water connection

- There are two different types of water inlet hoses:
  - Cold water inlet hose (up to 25°C)
  - Hot water inlet hose (up to 60°C) please check which one is applicable to your model.

If you are willing to connect your machine to natural energy resources or to the central hot water supply, first check out whether your water inlet hose type is suitable by checking the temperature values written on the hose. If your hose is not suitable, apply to your authorized service to change the hose.

- The dishwasher may not be connected to open warm water devices or flow-through water heaters.

### Permitted water pressure:

Lowest permitted water pressure: 0.3 bars = 3 N/cm<sup>2</sup> = 30 kPa

When the water pressure is below 1 bar, please contact your technician.

Highest permitted water pressure: 10 bar = 100N/cm<sup>2</sup> = 1Mpa

When the water pressure is above 10 bars, a pressure reduction valve must be installed (available in trade supply stores).

## Connect water inlet hose

Ensure that the water inlet hose is not bent or squeezed. Do not install a used hose set.

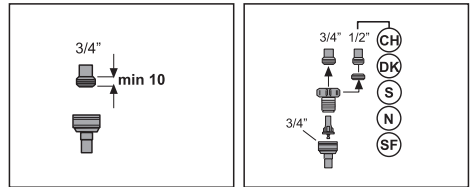
Use a screw-on hose connector to connect the water inlet hose to a water

tap with a 3/4 inch external thread. If required, use a filter insert to filter deposits from the pipes.

Check that the connection does not leak.

### Important

For safety reasons, turn off the tap after every rinse process.



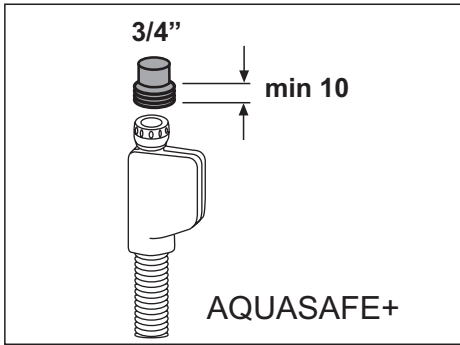
### AQUASAFE+ (some models)

The Aquasafe+ System protects against water damage which may be caused at the water inlet hose.

Do not immerse the system's valve box into water; it contains electrical components.

In case of damage, pull out the power supply plug.

Do not shorten or lengthen the hose insert as it contains electrical cables and components.



### Extension hoses

If a hose extension is required, a drainage hose of equal quality must be used.

The maximum length must not exceed 4m. Using a longer hose will produce poorer cleaning results.

### Siphon connection

The drainage height must be between 50 and 100cm above the floor.

Use hose clamps to fasten the drainage hose to the siphon.

### Water drainage

Connecting the drainage hose.

Take care to ensure that the drainage hose is not bent or squeezed.

Check that the drainage hose is firmly seated.

### Electrical connection

Please refer to the type plate for information on current type, mains voltage, and fuse protection.

The type plate is located on the inside of the door.

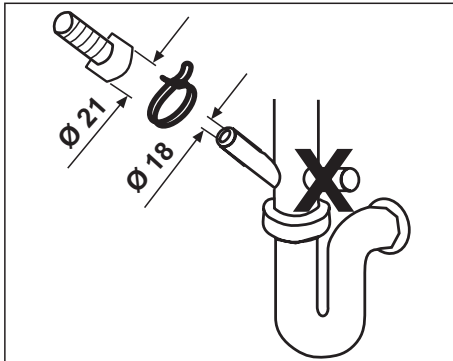
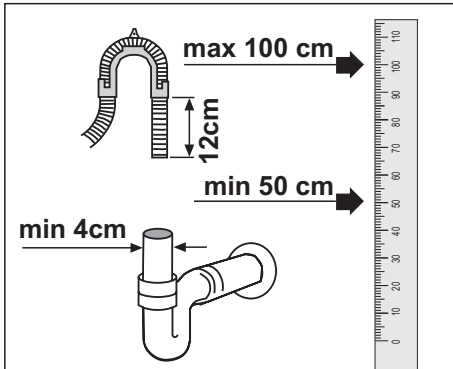
The mains plug must be freely accessible after installation.

Power cables and insulated cables must not be accessible (exposed) after installation.

### Disposal Packaging

The packaging and some parts of your appliance are made from recyclable materials. These materials are marked with the recycling symbol and the relevant material type (PE, PS, POM).

Before operating your appliance, remove the packaging material and dispose of it in accordance with regulations.



## Warning

Packaging materials may be dangerous to children. Reusable substances may be dropped off at your local disposal facilities. You may obtain further information from your local authorities and disposal facilities.



### Used appliances – Environmental notice

This product must not be disposed of with your regular household waste.

Instead, you need to dispose of the waste equipment by handing it over to a designated collection point for the recycling of waste electrical and electronic equipment. This is indicated by a symbol to be found on

the product, its packaging or in the manual.

Materials used are recyclable according to their labelling. Reuse, recycling of materials and further reutilization of used products are important contributions to protect our environment.

Please ask your local town council for the nearest collection point.

To avoid possible dangers, disable your waste appliance prior to discarding it. Pull the mains plug and cut the power cord. Disable any door locks.

## 4 Using Your Dishwasher

### Important

The electricity and water connections of the dishwasher must be in compliance with the instructions in this booklet.

### Filling the dishwasher salt

#### Important

Only use special dishwasher salt in your appliance. The manufacturer is not liable for damage resulting from the use of the wrong type of salt.

Do not use coarse-grained salt. Small grains or powdered salt is more easily soluble. Never use culinary or table salt. These types of salt do not dissolve in water easily and will damage the

softening device.

Remove the lower basket from the appliance.

Open the screw-in cap of the salt container by turning it counter clockwise (fig. **A,B**).

### When operating for the first time:

Pour 1 litre of water into the salt container (Fig. **C**).

Pour the salt into the container with the aid of the salt funnel provided (Fig. **D**).

Pour in enough salt to fill the container. The container holds approx. 2 kg.

To speed up the rate of dissolution of salt in water, stir it with a spoon.

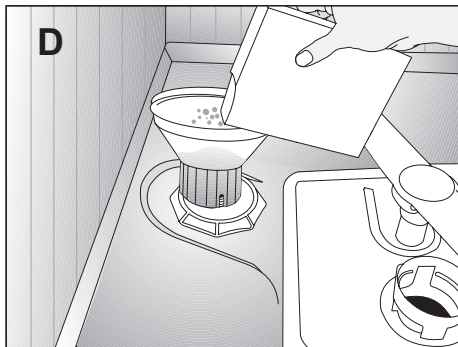
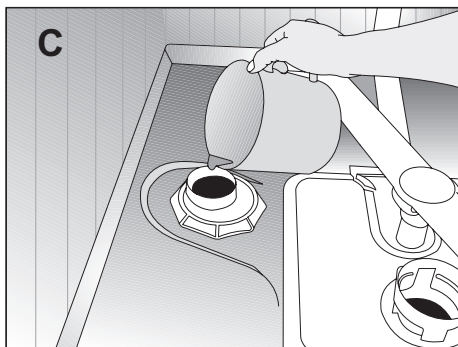
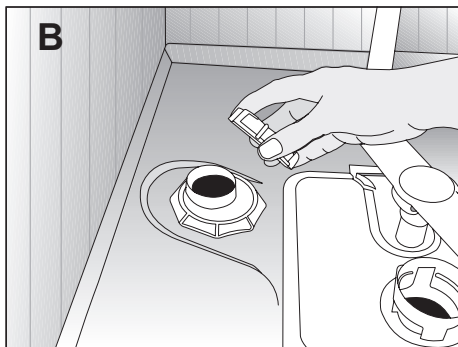
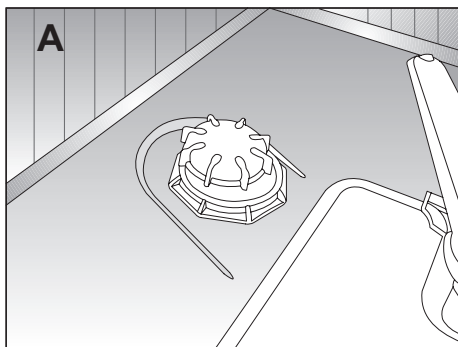
Close the cap tightly.

Begin a washing program immediately after filling the salt container. The washing program prevents damage to the appliance which may be caused by any spilled salt solution. After the first washing cycle, the salt level indicator light will go out.

### Important

Depending on the particle sizes of different salt brands in the market, tablet properties and water hardness, dissolution of the salt in water may take a couple of hours.

So, the salt indicator continues lighting for a while after filling salt into the machine. (For models with a salt indicator)



## Filling the Rinse Aid Dispenser

Rinse aids allow washing water to rinse off more cleanly and prevent watermarks or streaks on the dishes. Only use rinse aid designed for use in dishwashers.

### Note

If you use “2 in 1” or “3 in 1” detergents / tablets, you do not need an additional rinse aid.

Open the rinse aid dispenser by pressing the locking lever (**B**)

Carefully pour in rinse aid to the MAX mark. Close the lid until it clicks (**3**).

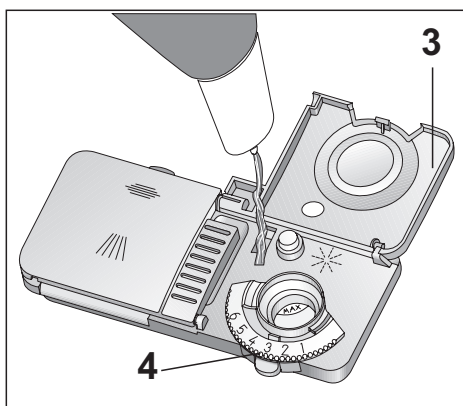
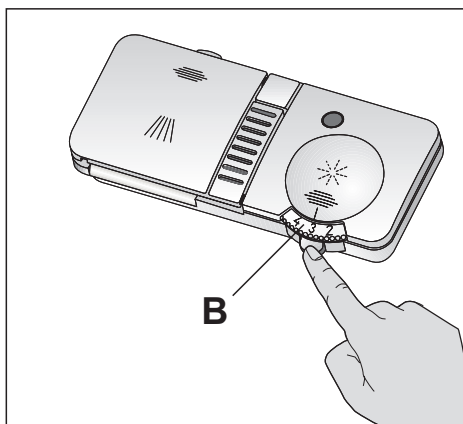
Carefully wipe off spilled rinse aid. Excessive rinse aid causes excessive foam formation, which may hinder cleaning.

### Set the dose of rinse aid

The dose of rinse aid to be used can be set by means of the dispenser regulator (between levels 1 and 6) (**4**). Your appliance is pre-set at the factory to level 3.

Only change the setting if the following applies after washing:

- Watermarks are visible on the dishes: Set dosage higher
- Streaks are visible on the dishes: Set dosage lower



## Filling the Detergent Dispenser

### Note

Only use detergents formulated for use in dishwashers.

Open the detergent container by pushing the locking lever to the right (**A**).

The lines on the inside of the detergent container will help you measure the correct amount of detergent.

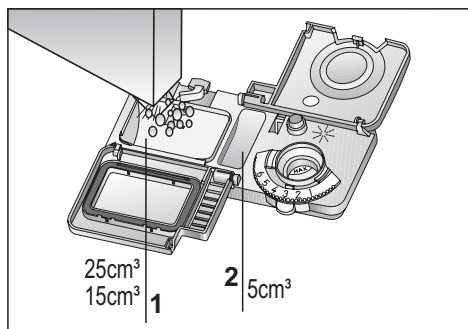
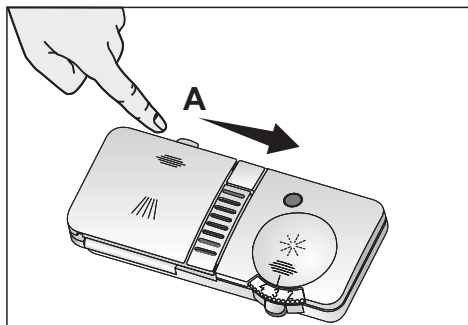
The detergent container holds a total of 40 cm<sup>3</sup> of detergent (**1**).

When the dishwasher is fully loaded and the dishes are very dirty, we recommend filling the detergent container up to the 25 cm<sup>3</sup> mark. When the dishes are less dirty, it is generally sufficient to fill the detergent up to the 15 cm<sup>3</sup> mark.

If your dishes have been in the dishwasher for some time without being washed, you should also fill the small detergent container up to the line (2).

The programme table shows the amounts of detergent required for the different wash programmes.

These may differ according to how dirty the dishes are and the water hardness in your location.



## Detergent

Please use detergents produced specially for the dishwashers in your machine.

Keep the opened detergent packages in a cool and dry place where children can not reach.

Put the detergent into the detergent dispenser just before operating the machine.

Please contact the manufacturer to get detailed information about the detergent you are using.

Always use powder detergents in short programs without pre-washing. Fill in the powder detergent into the compartment nr. 2 with a grid cover as shown in the picture and close the detergent box lid. When completely full, this compartment will contain 6 g of powder detergent.

Do not use tablet detergents in short programs since the solubility of them changes depending on the temperature and time.

In programs with pre-washing and high temperature, in which you may use tablet detergents, make sure that the detergent box lid is closed firmly.

Excessive usage of powder detergents can cause the detergent not dissolve completely and can also cause scratches on the glassware.

## Multipurpose Detergents

The best washing results in dishwashers is obtained by using detergent, rinse aid and water softening salt individually.

New products of the detergent producers what they call as “Multipurpose Detergent” can act as water softening salt and/or rinse aid in addition to acting as a detergent. Some types of these detergents can also contain special-purpose washing chemicals such as glass and stainless steel protectors.

Multipurpose detergents commonly found in the market:

2in1: Those contain detergent, rinse aid or water softening salt.

3in1: Those contain detergent, rinse aid and water softening salt.

4in1: Those containing glass protectors in addition to detergent, rinse aid and water softening salt.

5in1: Those containing glass and stainless steel protectors in addition to detergent, rinse aid and water softening salt.

Multipurpose detergents give satisfying results only under certain usage conditions. Observe the instructions of the detergent manufacturer on the package when using such detergents.

Contact the detergent producer if your dishes are wet and/or if you notice lime spots particularly on your glasses after the washing program is over.

When you give up using such detergents:

Make sure that salt and rinse aid compartments are full.

Set the water hardness to its highest degree and perform an empty run.

After the empty washing review the user manual and readjust the water hardness level so as to suit your water supply.

Make the appropriate rinse aid settings.

Depending on the model, salt indicator and/or rinse aid indicator should be enabled again if they are disabled before.

## Loading the dishwasher

### General:

Before you load the dishwasher with dishes

- Remove coarse food leftovers
- Place all containers such as cups, glasses and pots into the machine with the opening facing downwards (so that no water can collect)
- Dishes and cutlery may not be placed above each other
- Glasses may not touch
- The movement of the spray arms must not be hindered
- Place all large and very dirty items in the lower basket.
- Small and light items can go into the upper basket.
- Long and narrow items are placed in the middle of the baskets.

### Attention

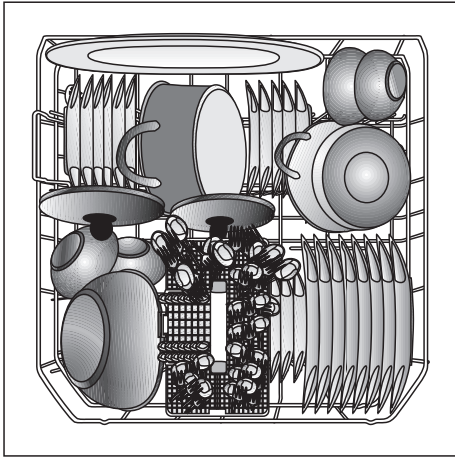
Knives and other utensils with sharp tips and edges must be placed horizontally into the upper basket due to risk of injury.

Please do not overload your dishwasher and pay attention to the notes regarding dishes which are suited to the dishwasher.

Only in this manner will you obtain optimal washing results with a sensible use of energy.

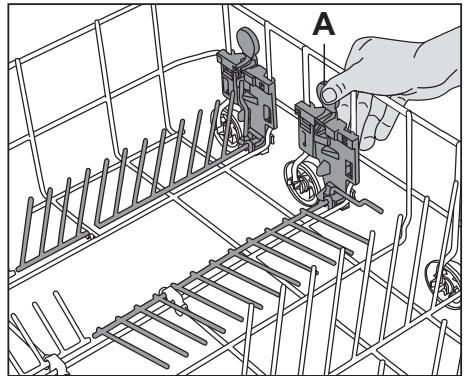
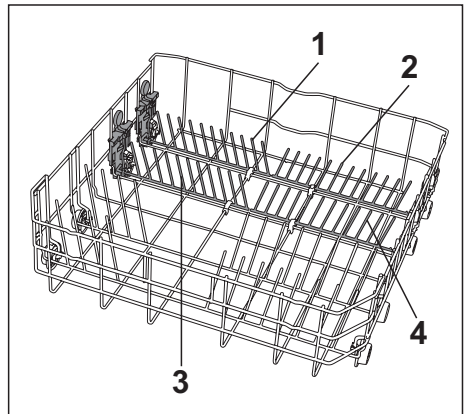
### Suggestions for loading the dishwasher

Use the lower basket for plates, bowls, pots etc.



### 4 folding plate support rods (depending on the model)

There are four separate “folding plate support rods” in the lower basket of your dishwasher designed to allow you more space to accommodate saucepans and large bowls in the lower basket. You can either fold each section (1, 2, 3, 4) individually or, all at once, to create a large empty space. Simply press the handgrips (A) and fold them down”



## Variable cutlery basket (depending on the model)

The variable cutlery basket can be separated into 3 parts depending on the amount of cutlery and the degree of dirtiness.

Small cutlery basket sections also fit into the upper basket.

To do this, turn the lock on the handle to the right (A).

Pull the smaller cutlery basket upwards and out of its holders (B).

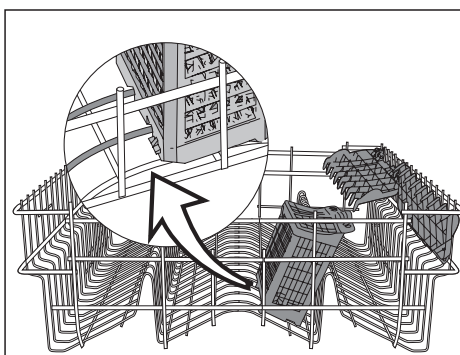
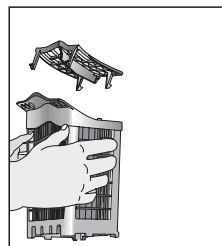
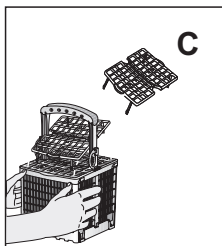
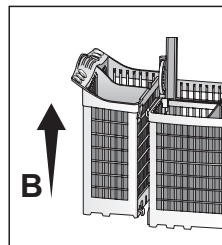
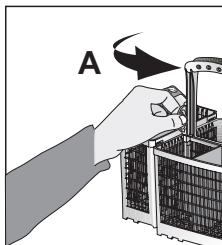
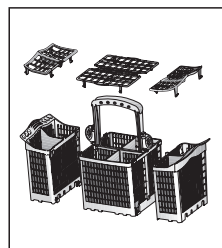
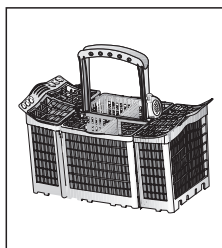
To put the parts together again, proceed in the opposite direction.

Use the basket inset (C) for your cutlery so that all items in the basket are surrounded by a sufficient water flow.

For larger items (e.g. wire whisks), the basket inset may be removed (C).

To make loading easier, the cutlery basket can be removed.

Place long items such as ladles, cooking spoons etc. on the rack in the upper basket.



### **Basket insert with variable height settings (depending on some models)**

You can also use this insert in the lower basket for glasses and long-handled cutlery / utensils.

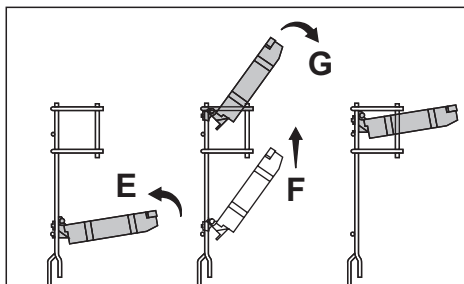
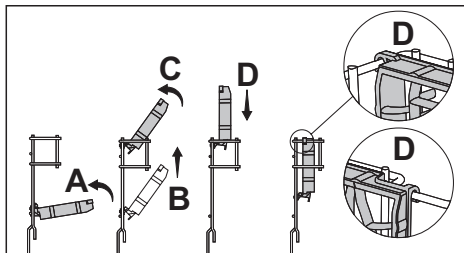
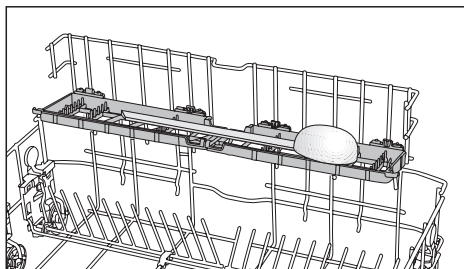
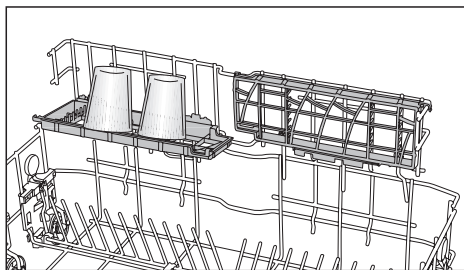
If you do not need the insert, fold the rack upwards at the angle shown (A).

Push the entire insert upwards (B). Place the insert in the upright position (C). Push the insert downwards and lock it into place with the holder (D).

When you want to use the basket again, reverse the procedure.

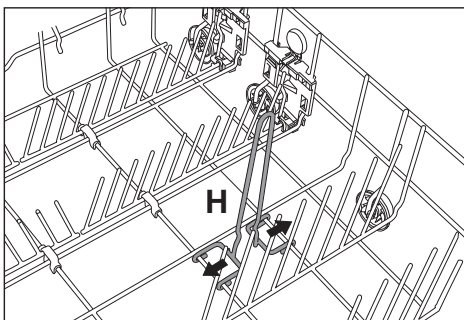
To set the height, push the rack upwards and fold it open in position (G).

When finished, check that the sprayer arm can still move freely.



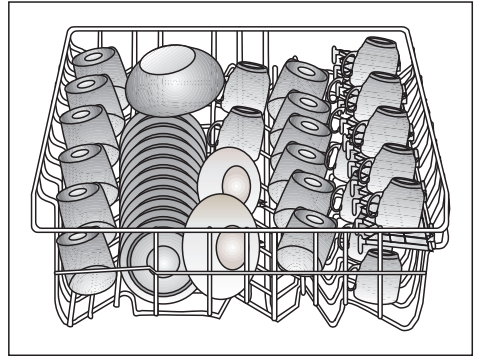
### **Bottle holder (depends on some models)**

For cleaning your bottles. To remove, pull the holders apart in opposite directions (H).



## Loading suggestions

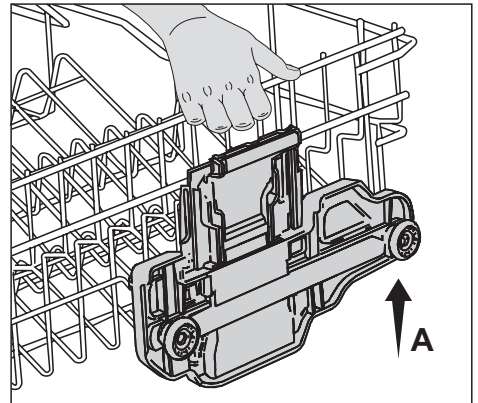
Load the upper basket with dessert plates, cups, glasses etc.



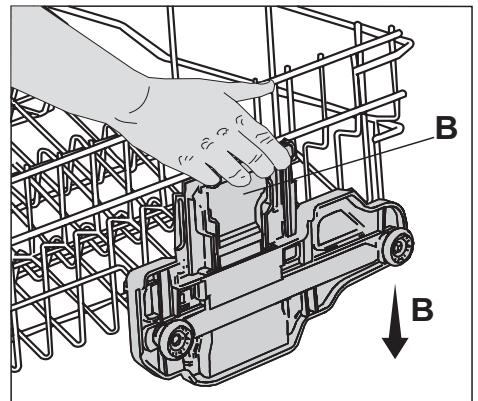
### Upper basket with variable height setting (depends on some models)

The upper basket is equipped with a lifting mechanism which enables you to change the height of the basket without having to remove it from the dishwasher, even if it is fully loaded.

The height of the upper basket was set to its lowest position at the factory. To lift the upper basket to the “high” (A) position, hold it on one side and carefully pull it upwards. To lift the opposite side of the basket, hold it and pull it upwards in the same manner (A).



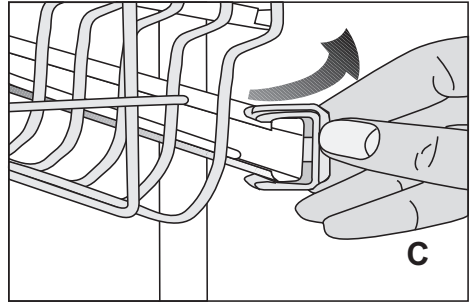
To lower the upper basket, hold the basket lever on one side and carefully lower the basket without releasing the lever (B). Repeat the procedure with the lever on the opposite side of the basket. Make sure that both levers catch at the same height.



### Height setting with empty basket (depends on the model)

In this model, the height setting of the upper basket may be changed using the wheels which are mounted at two different heights.

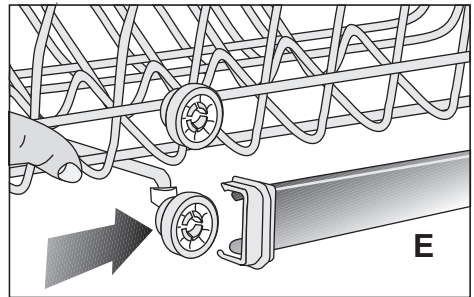
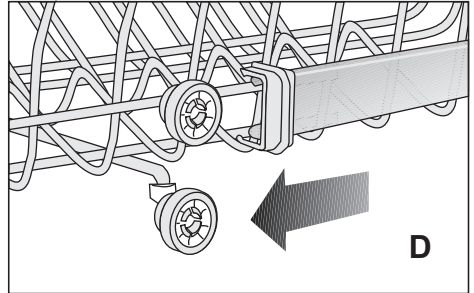
Release the latches on both the right and left tracks of the upper basket by pushing them outwards (C).



Pull out the basket out completely (D).

Place the basket back into the tracks at the desired height (E).

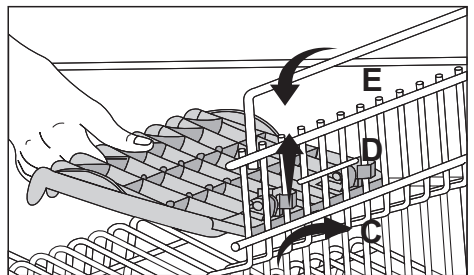
Push the latches back into the correct position.



### Rack

#### (depends on the model)

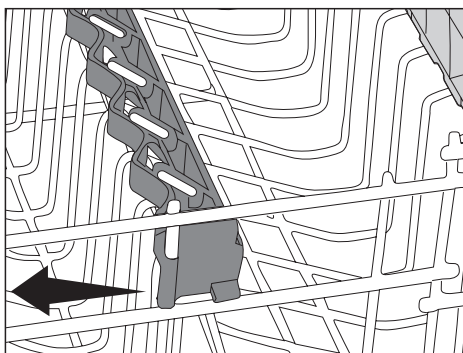
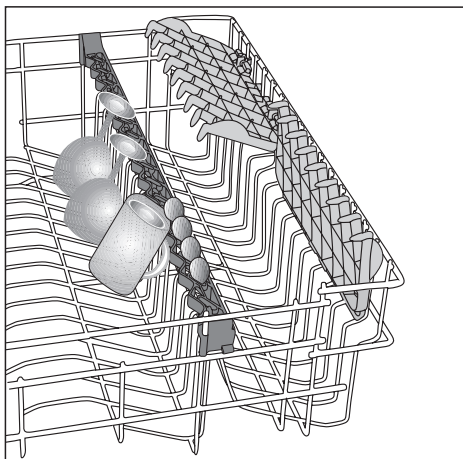
Depending on the size of the glasses and cups, the rack height setting may be adjusted (C, D, E).



### **Glass Support (depends on the model)**

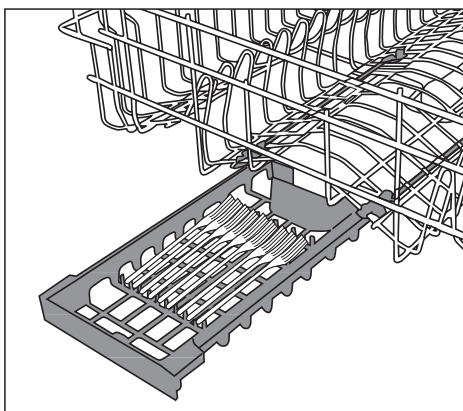
When placing the glasses or goblets with a long grip, lean them against the glass support, the edge of the basket or the shelf but not against the other pieces. Do not lean the long glasses against each other, otherwise they do not remain stable during washing cycle and may get damaged.

When you need to place the bulky pieces into the upper basket, disconnect the lug of the glass support from the bar of the basket where it is attached to. Thus, you will acquire a wider place.

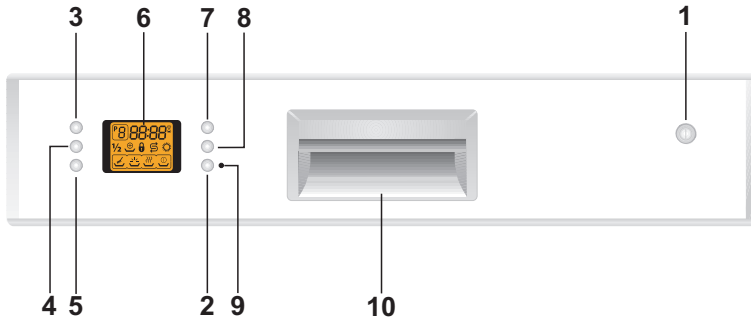


### **Upper Basket Drawer (depends on the model)**

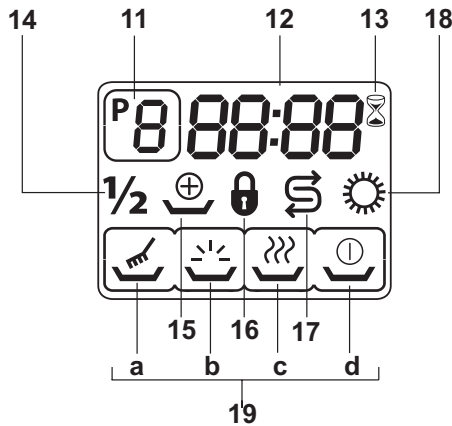
You can easily place additional desert spoons, small forks and knives into the drawer installed to the upper basket of your machine.



## 5 Program Selection and Operating Your Machine



- |   |                                 |
|---|---------------------------------|
| 1. On / Off Button                              | 6. Display                      |
| 2. Combi Tablet Button                          | 7. Start/Pause/Cancel Button    |
| 3. Program Selection Button                     | 8. Delayed Start Button         |
| 4. Half Load Button                             | 9. Combi Tablet Indicator light |
| 5. Extra Drying Button (depending on the model) | 10. Handle                      |



- |   |                                       |
|---|---------------------------------------|
| 11. Program Indicator                               | 16. Child Lock Indicator              |
| 12. Remaining Time Indicator/Delay Time Indicator   | 17. Salt Indicator                    |
| 13. Delayed Start Indicator                         | 18. Rinse Aid Indicator               |
| 14. Half Load (1/2) Indicator                       | 19. Program Steps Follow-up Indicator |
| 15. Extra Drying Indicator (depending on the model) | a Washing Step Indicator              |
|   | b Rinsing Step Indicator              |
|   | c Drying Step Indicator               |
|   | d End of Program Indicator            |

## Button and Button Descriptions

### On / Off Button (1)

When you press the On/Off button, the display switches on with the last program used and it dims when you turn the machine off.

If the Half Load (4), Extra Drying (5), Child Lock (16), Combi Tablet (2) and Delayed Start (13) functions are enabled during the last program used, these functions will remain active when the machine is turned off and on again. If you would like to disable these functions after turning the machine off and on again, you must press the relevant buttons.

### Start / Pause / Cancel Button (7)

It is used to start, pause or cancel the selected program or the delayed start countdown. The selected program will start running when the Start / Pause / Cancel button (7) is pressed.

Wait for two seconds to view the full display on the screen after you turn on the machine by pressing the On/Off button (1) before you press Start / Pause / Cancel (7) button.

### Program Selection Button (3)

You can select the washing program you want to use with the aid of the "Program Data and Table of Average Consumption Values" after pressing the program selection button. Number of the selected program appears in the program indicator (11) on the display (6) in the format of  $\overline{P1}$ ,  $\overline{P2}$ ,  $\overline{P3}$ ,..... Program number will increase by one each time you press the program selection button. Number of the defined

programs can change depending on the model you have purchased.

### Half Load Button (4)

If you want to run your machine without loading it completely, place your dishes into the machine as you desire. First, press the On / Off Button (1). Select the desired program and press the Half Load (4) button. You must see the Half Load indicator (14)  $\frac{1}{2}$  appearing on the screen. Start the program by pressing the Start / Pause / Cancel button (7). Thanks to the Half Load option, you can use both lower and upper baskets of your machine and you can save water and energy.

### Extra Drying Button (5) (Depending on the model)

Some washing programs provide premium-drying performance. The programs in which the extra drying function can be enabled are indicated in the Program Data and Table of Average Consumption Values. Extra drying  $\oplus$  symbol lights up (15) on the display when you select the extra drying (5) function.

### Combi Tablet Button (2)

Allows to obtain a better drying performance from the multi-purpose detergents called as all in one detergents such as 2in1, 3in1, 4in1, 5in1 and etc., depending on the hardness level of the tap water. The programs in which the Combi Tablet function can be enabled are indicated in the Program Data and Table of Average Consumption Values. Combi Tablet indicator light (9) lights up when you select the Combi Tablet function (2).

### Delayed Start Button (8)

You can delay the start of the selected program until 24 hours with increments of 1 hour by means of the Delayed Start Function.

### Program Selection

You can select the desired program after turning on the machine by pressing the On / Off button (1). Switch to the program you want to operate by pressing program selection button (3). You can follow up the program you are in from the program indicator (11) on the screen. Program number will increase by one each time you press the program selection button (Number of the defined programs can change depending on the model you have purchased). The selected washing program will start running when the Start / Pause / Cancel button (7) is pressed. Time indicator (12) will start displaying the estimated remaining time to the end of program.

**Total time can be different from the time indicated at the beginning since it can change while the program is running, depending on the temperature of the room where your machine is installed, temperature of the supply water, auto-cleaning of the water softening system (regeneration) and amount of the dishes.**

### Adding Functions to the Program

With the help of the add function buttons, you can run the selected program together with the Half Load (1/2) (4), Extra Drying (5), Combi Tablet (2) and Delayed Start (8)

functions.

You will obtain a better drying performance if you select the Combi Tablet function in cases where you use a multi-purpose detergent.

To add a function to the program:

1. Select the program by pressing program selection button (3).
2. Press the button of the function that you want to enable and check to see the indicator for the relevant function on the display.
3. You can start the program by pressing the Start / Pause / Cancel button (7).

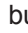
### Program Steps Follow-up

You can follow-up the step in which the current program is in from the Program Steps Follow-up indicator (19) on the display.

- a Washing Step Indicator (19 a)
- b Rinsing Step Indicator (19 b)
- c Drying Step Indicator (19 c)
- d End of Program Indicator (19 d)

The display shows the steps for washing 19 a, rinsing 19 b and drying 19 c, respectively, while the selected program is running. Only the End of Program indicator 19 d lights up when the program is over. Remaining Time Indicator (6) displays "00:00".

### Canceling a Program

Press Start / Pause / Cancel button (7) for three seconds to cancel a program that is already running. Release the button when  indicator and End of Program Indicator (19 d) start flashing above the program indicator (11) in the display. For a couple of minutes the machine will fulfill the necessary operations required for cancellation.


End of Program Indicator (19 d) starts lighting continuously when the program cancellation is completed. You may select and operate a new program following the program cancellation process. There might be residues of detergent or rinse aid left in the machine and/or on the pieces being washed depending on the step the previous program was in at the time of such cancellation.


## Changing a Program

Press Start / Pause / Cancel button (7) first to switch your machine into pause mode if you want to change your selection after you started the program. Then, switch to the desired program by pressing Program Selection button (3). Start the new program by pressing Start / Pause / Cancel button (7) again. Your new selection will resume operation from the step in the previous program (For example, if the previous program was in rinsing step, the new one will also start from the rinsing step). If you want to run the newly selected program from the very beginning, you have to apply the program cancellation process first and then select a new program.

## Programming the Delayed Start


You can delay the start of the selected program until 24 hours. Delayed start can not be set after the program starts. The selected program must not be started in order to be able to set the delay time.

Delayed start indicator  sand glass (13) will start flashing when the delayed start button (8) is pressed. You

can set the desired time by pressing the delayed start button (8). Press the Start / Pause / Cancel button (7) after setting the time. The delayed start indicator  sand glass (13) will remain lit on the display during the delayed start countdown and the delay time indicator (12) will display the remaining time. Program will start automatically when the countdown is over.

You can use the delayed start function if you are utilizing the economic electricity tariff.

If you want to change the program or functions while the delayed start function is enabled, then pause the machine by pressing the Start / Pause / Cancel button (7). You will see that the countdown stops. Select the new program and/or add the functions as described in **Program Selection and Table of Average Consumption Values**. Resume the delayed start countdown by pressing the Start / Pause / Cancel button (7).

If you want to cancel delayed start countdown while it is in progress, then press the Start / Pause / Cancel button (7) for three seconds. Release the button when  indicator and End of Program Indicator (19 d) start flashing above the program indicator (11) in the display. For a couple of minutes the machine will fulfill the necessary operations required for cancellation. End of Program Indicator (19 d) starts lighting continuously when the delayed start countdown cancellation is completed. You may select and operate a new program following the delayed start countdown cancellation process.

If you want to select a new delayed start time while the delayed start countdown is in progress, then pause the machine by pressing the Start / Pause / Cancel button (7). Set the desired time by pressing the Delayed Start Button (8). Start the countdown for the new time by pressing the Start / Pause / Cancel button (7) again.

## Usage of Child Lock

Press the Child Lock buttons ((3) and (4) simultaneously for three seconds in order to activate the child lock. Child lock indicator (16) will appear on the screen. Repeat the same procedure to disable the child lock. Child lock does not lock the door of the machine but it prevents the selected program or functions from being changed and disables the Start / Pause / Cancel button (2).

## Salt Indicator

Please check the salt indicator (17) on the display to see whether there is enough softening salt in your machine or not. You need to refill the powder dispenser whenever the salt warning indicator light lights.

### WARNING:

If the water hardness level is stored as (r1), salt indicator will never come on even if the salt container is empty. (Adjusting the water hardness level is explained in Water Softening System section.)

## Rinse Aid Indicator

Check the rinse aid warning display (18) on the screen to find out if there is sufficient amount of rinse aid in your machine. You must refill the rinse aid

container when the rinse aid indicator comes on.

### WARNING:

If the Rinse Aid Indicator is set to (OFF), rinse aid indicator will never come on even if the rinse aid container is empty.

## Rinse Aid Indicator Setting

- When your machine is switched off, press Half Load ( $\frac{1}{2}$ ) button (4) and then On / Off button (1) to switch it on.
- Hold Half Load ( $\frac{1}{2}$ ) button (4) pressed and release On / Off button (1).
- Keep Half Load ( $\frac{1}{2}$ ) button (4) pressed for three seconds more.
- Rinse Aid Indicator (18) comes on and the stored rinse aid indicator status of your machine appears on the display in the format of "ON" or "OFF".
- You can change the status of the indicator as "ON" or "OFF" with Start / Pause / Cancel button (7). If you switch off the machine with "On/Off" button (1) when the status is "ON", then the rinse aid indicator will come on when the rinse aid level in your machine becomes low while the machine is in use. If you switch off the machine with "On/Off" button (1) when the status is "OFF", then the rinse aid indicator will never come on.

## Starting Your Machine

- Plug the mains plug into the wall socket.
- Open the tap.
- Open the door.
- Place the dishes.

- Check if the upper and lower impellers rotate freely.
- Put sufficient amount of detergent in the detergent dispenser and close its lid.
- Press On/Off button.
- Check if the salt and rinse aid warning indicators (17,18) light and add salt and/or rinse aid if needed.
- Determine your washing program with the aid of the Program Data and Table of Average Consumption Values.
- You can select the determined washing program by pressing program selection button (3).
- You can see the program time in the Remaining Time Indicator (6).
- If necessary, you can change your washing program as you prefer by means of the Add Function Buttons (4,5,2,8).
- Start the program by pressing the Start / Pause / Cancel button (7).

wall socket.

- Leave your dishes in the machine for about 15 minutes after they are washed in order to have them cooled down. Your dishes will dry in a shorter time if you leave the door of your machine ajar during this period. **This will increase the drying effectiveness of your machine.**

### **WARNING:**

Pay attention not to open the door of the machine when it is running. Stop the machine by pressing Start / Pause / Cancel button (7) if you have to open the door. Then, open the door of your machine. There may be a rush of vapor when you open the door of your machine; be careful. Close the door and press Start/Pause/Cancel button (7) again. Program will resume running.

- End of Program indicator (19 d) will light up.
- Turn off your machine by pressing On / Off button (1).
- Close the tap.
- Unplug the mains plug from the

# Programme Table

Programme number	1	2	3	4 Reference*	5	6	7	8
Programme name	Pre-wash	Mini 30'	Delicate	Economy	Quick & Clean	Intensive	Baby Care	Auto
Cleaning temperature	-	35 °C	40 °C	50 °C	65 °C	70 °C	70 °C	40 °C-65 °C
Suitable for	Used dishes which are to be washed at a later time	Dessert and coffee dishes with food leftovers which are not dried on	Glasses, dessert and coffee dishes with food leftovers which are not dried on	Normally dirty dishes with starchy food leftovers which are not dried-on	Soiled dishes that have been kept in the machine	Heavily soiled dirty dishes with dried-on food leftovers	Especially for babies' utensils which need to be cleaned at particularly high temperatures for hygienic purposes. For daily use: dishes with particularly stubborn dried-on food leftovers.	Normally-soiled dishes with dried-on food leftovers
Degree of soiling	-	Few	Few	Medium	Medium	High	High	Medium to high
Detergents A=25 cm <sup>3</sup> /15 cm <sup>3</sup> B=5 cm <sup>3</sup>	-	A	A	A+B	A+B	A+B	A+B	A
Programme sequence (without options)	Pre-wash ▼ End	35°C wash ▼ Cold rinse ▼ Hot Rinse ▼ End	Pre-wash ▼ 40 °C Wash ▼ Cold rinse ▼ Hot Rinse ▼ Dry ▼ End	Pre-wash ▼ 50 °C Wash ▼ Cold rinse ▼ Hot Rinse ▼ Dry ▼ End	65°C Wash ▼ Cold rinse ▼ Hot Rinse ▼ Drying ▼ End	40°C Prewash ▼ 70°C Wash ▼ Cold rinse ▼ Hot Rinse ▼ Dry ▼ End	50°C Prewash ▼ 70°C Wash ▼ Cold rinse ▼ 50°C Rinse ▼ Hot Rinse ▼ Dry ▼ End	The programme sequence is adjusted to the amount of soiling
Duration (min)	20	30	71	155	58	136	124	60-157
Water (l)	7	10,2	13,2	13	10,2	14,8	17,8	10,8-14,4
Energy (kWh)	0,5	0,75	0,9	1,05	1,24	1,45	1,97	0,96-1,44
Extra Drying Button**	-	+	+	+	+	+	+	+
Combi Tablet Button**	-	+	+	+	+	+	+	+

\* The consumption values shown in the table were determined under standard conditions. Differences may therefore occur under practical conditions.

\*\* Reference programme for testing institutes The tests in accordance with EN 50242 must be carried out with a full water softener salt dispenser and a full rinse aid reservoir, and using the test programme.

\*\* The functions do not work actively if the related programs are marked with (-).

## 6 How to clean your dishwasher

Cleaning your machine at regular intervals ensures longer product life and reduces the risk of recurring problems.

### Warning

Always unplug the machine and turn off the water supply before cleaning. Use a gentle household cleaner for the outside and the door seals. Clean the control panel only with a moist cloth and clear water.

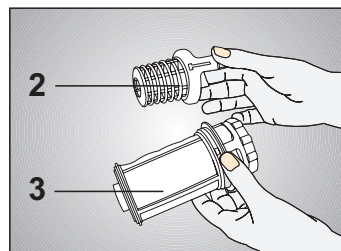
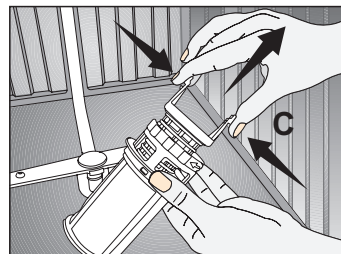
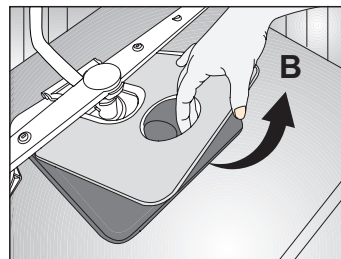
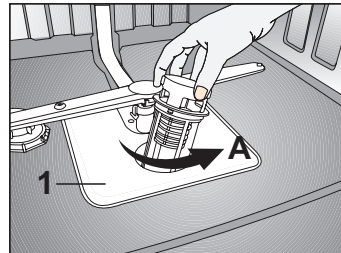
### Cleaning the filters

Clean the filters and the spray arms regularly. A dirty machine will have a negative effect on the cleaning results.

1. Main filter
  2. Coarse filter
  3. Micro filter
- 
1. Remove the lower basket from the machine.
  2. Turn the coarse filter to the right and pull it out in an upward direction (A).
  3. Pull out the main filter (B).
  4. Press on the two tongues of the coarse filter and remove the micro filter (C).
  5. Clean the filters thoroughly under running water. Use a brush if necessary.
  6. Replace main filter.
  7. Replace the micro filter and the coarse filter into the main filter. Twist it clockwise until it clicks in.

### Warning

Do not operate your dishwasher without a filter. Ensure that your filters are correctly installed. Clean the filters regularly.



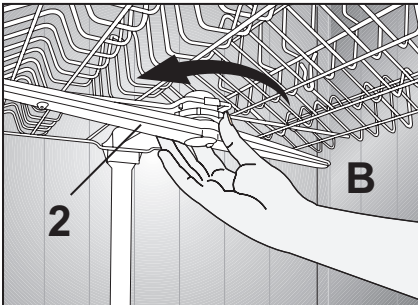
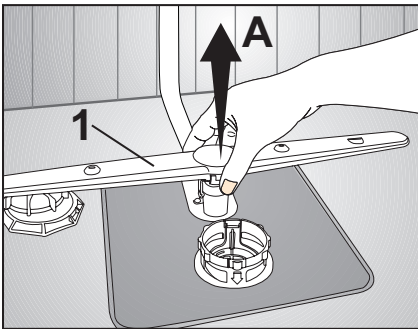
## Cleaning the spray arms

Dirt or calcium residue may block the nozzles on the spray arms. For this reason, regularly check the spray nozzles.

1. Lower spray arm
  2. Upper spray arm
- 
1. Remove the lower basket from the machine.
  2. Pull off the lower spray arm in an upward direction (**A**).
  3. Loosen the fastening screw of the upper spray arm and pull off the spray arm (**B**).
  4. Clean the spray arms under running water.
  5. Replace the spray arms.

## Warning

Ensure that the fastening screws are screwed tight.



## Cleaning the filter inset in the water inlet hose (depending on the model)

Dirt from deposits in the water pipes is prevented by a filter in the water inlet hose. Check the filter and the water inlet from time to time.

1. Close the water tap and unscrew the water inlet hose.
2. Take out the filter and clean it under running water.
3. Replace the cleaned filter.
4. Fasten the water inlet hose to the water tap again.

## 7 Troubleshooting:

---

### What to do if the dishwasher will not run

- Check that the mains plug is properly connected.
- Are all fuses working?
- Is the water supply fully turned on?
- Is the dishwasher door closed firmly?
- Have you pressed the On/Off button?
- Is the filter on the water intake and dishwasher clogged?

### The cleaning results are unsatisfactory



**The dishes are not clean**

#### **Improper loading**

- Load the dishwasher as suggested in the directions.

#### **Wrong programme selection**

- Select a programme which washes at a higher temperature or takes longer.

#### **Sprayer arms are not turning**

- Check that the sprayer arms can move freely.

#### **Clogged strainers**

- Clean all strainers and filters as described in the manual.

#### **Strainers are not placed in their proper positions**

- Check that all strainers and filters are placed in their proper positions.

#### **Sprayer arm nozzles are clogged**

- Clean the sprayer arms as described in the manual.

#### **Overloaded baskets**

- Clean the sprayer arms as described in the manual.

#### **Detergent Cleaning agent is moist or clumping**

- Store detergents in a dry location. Close the lid of the container carefully.

#### **Too little detergent**

- Increase the amount of detergent as per the programme table.

#### **Too little rinse aid**

- Increase the amount of rinse aid / refill the rinse aid dispenser.

#### **The lid of the detergent dispenser remained open.**

- Always ensure that you close the detergent dispenser lid after adding the detergent.

### **Using cutlery with a low-quality coating**

- Cutlery of this type is not suitable for washing in dishwashers.

### **The dishes are not drying**

#### **Improper loading**

- Load the dishwasher as suggested in the directions.

#### **Too little rinse aid**

- Increase the amount of rinse aid / refill the rinse aid dispenser.

#### **Dishes are removed too soon**

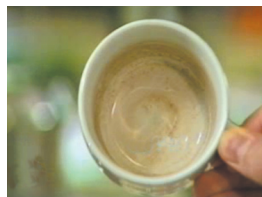
- Do not empty your dishwasher immediately after washing. Open the door slightly so that the steam can escape. Begin unloading the dishwasher only once the dishes are barely warm to the touch. Empty the lower basket first. This prevents water from dripping off dishes in the upper basket.

#### **Wrong programme selection**

- In short programmes the washing temperature is lower. This also lowers cleaning performance. Choose a programme with a longer washing time.

### **Using cutlery with a low-quality coating**

- Water drainage is more difficult with these items. Cutlery or dishes of this type are not suitable for washing in the dishwasher.



### **Tea, coffee, or other stains**

#### **Wrong programme selection**

- Select a programme which washes at a higher temperature or takes longer.

#### **Detergent is moist or clumping**

- Bleaches in cleaners lose their efficacy when stored under unfavourable conditions. Store detergents in a dry location. Close the lid of the container carefully

### **Using cutlery with a low-quality coating**

- Cleaning of these items is made difficult by their surface structure. Cutlery or dishes of this type are not suitable for washing in the dishwasher.



## Calcium streaks or a cloudy appearance

### Too little rinse aid

- Increase the amount of rinse aid / refill the rinse aid dispenser.

### The correct water hardness has not been selected; too little salt is being used

- Check the values set against the values given by your local water board.

### Salt loss

- Check that the lid of the salt dispenser is firmly closed. Use the funnel to pour in special salt. Begin the pre-wash programme immediately after filling up the salt. Once the programme is complete, check whether the lid has come loose.

## Odour

### Smell of new appliance

- The smell of a new appliance disappears after a few wash cycles.

### Strainers are dirty

- Clean all strainers and filters as described in the manual.

### Dishes standing in the appliance for several days without being washed

- Remove heavy soiling under running water and run the pre-wash programme without any detergent every 2 days. Close the door to prevent odours from developing.



## Milky appearance or shiny blue deposits on glassware (glass corrosion)

### Excessive use of detergent when water hardness is low, cleaning temperature is too high

- Choose a programme with a low temperature and add a smaller amount of detergent. Check the values set against the values provided by your local water board



## Rust stains, surface damage

### The lid of the salt dispenser is not closing properly

- Salt can destroy metal surfaces and cause rust damage.
- Check that the lid of the salt dispenser is firmly closed. Use the funnel to pour in special salt. Begin the pre-wash programme immediately after filling up the salt. Once the programme has finished, check whether the lid has come loose.

### Food leftovers are staying left on the dishes for too long

- Remove heavy soiling under running water and run the pre-wash programme without any detergent every 2 days.

### The device is not properly grounded

- Check that the appliance is grounded properly. Static electricity may eat holes into metal and cause irreparable damage.

### Cutlery made of low-grade stainless steel

- Rust on such items cannot be avoided. Cutlery or dishes of this type are not suitable for washing in the dishwasher.

### Crockery with rust stains

- Rusty dishes may “infect” other items. Cutlery or dishes of this type are not suitable for use in dishwashers.



## Detergent residue remains in the dispenser

### Moisture in the detergent dispenser

- Ensure that the detergent dispenser is dry before filling it.

### Detergent stays in the dispenser too long

- Add the detergent immediately before washing.

### The lid of the detergent dispenser does not open

- When loading the dishwasher, take care to ensure that you do not accidentally open the lid.

### Detergent is moist or clumping

- Store detergents in a dry location. Close the lid of the container carefully

### **Sprayer arm nozzles are clogged**

- Clean the sprayer arms as described in the manual



### **Paling of Decoration**

### **Paling of Decoration on glassware and porcelain**

- Glassware, porcelain and cutlery of this type are not suitable for washing in the dishwasher.



### **Scratched Dishes**

### **Items made of aluminium**

- Dishes and cutlery of this type are not suitable for washing in dishwashers.

### **The lid of the salt dispenser is not closing properly**

- Check whether the lid of the salt dispenser is firmly closed. Use the funnel to pour in special salt. Begin the pre-wash programme immediately after adding salt. Once the programme has finished, check whether the lid has come loose.

### **The water hardness has not been correctly selected; too little salt is being used**

- Check the values set against the values provided by your local water board.

### **Detergents are being stored under unfavourable conditions**

- Detergents should not be stored longer than 2 months. Store detergents in a dry location. Close the lid of the container carefully.

### **Overloaded baskets**

- Take care to ensure that individual glasses and dishes do not touch each other. They may knock against each other during the washing process, causing scratches.



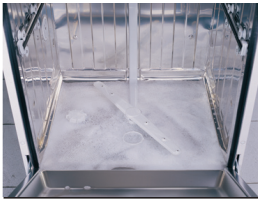
## Dishes Break

### Improper loading

- Load the dishwasher as suggested in the directions.

### Overloaded baskets

- Do not overload the dish baskets. Dishes may knock against each other and break.



## Foam

### The dishes were pre-washed by hand with a large amount of detergent

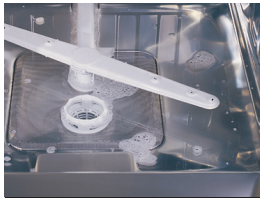
- Dishes do not need to be pre-washed. Heavy soiling may be removed with a dishcloth or under running water.

### Rinse aid has accidentally leaked into the appliance

- If rinse aid has been spilled during refilling, wipe up the excess using a paper towel or sponge.

### The cover of the rinse aid dispenser was not closed

- Always take care to ensure that the lid is closed after refilling the clear rinse aid dispenser.



## Water remains inside the appliance after the rinse cycle

### Clogged strainers

- Clean all strainers and filters as described in the manual

### Drain hose bent. Relief hose blocked or bent

- Ensure that the relief hose is properly installed.

## **Service**

If your appliance ever malfunctions, check the notes and advice given in the operating manual.

If this does not fix the problem, our customer service staff are available to assist you.

