



# ESKIMO

ESK-9430NF

en  
el

Instruction Manual  
Εγχειρίδιο οδηγώ



## Please read this manual first!

Dear Customer,

We hope that your product, which has been produced in modern plants and checked under the most meticulous quality control procedures, will provide you an effective service.

For this, we recommend you to carefully read the entire manual of your product before using it and keep it at hand for future references.




### This manual

- Will help you use your appliance in a fast and safe way.
- Read the manual before installing and operating your product.
- Follow the instructions, especially those for safety.
- Keep the manual in an easily accessible place as you may need it later.
- Besides, read also the other documents provided with your product.

Please note that this manual may be valid for other models as well.

### Symbols and their descriptions

This instruction manual contains the following symbols:

-  Important information or useful usage tips.
-  Warning against dangerous conditions for life and property.
-  Warning against electric voltage.



This product is supplied with the selective sorting symbol for waste electrical and electronic equipment (WEEE).

This means that this product must be handled pursuant to European Directive 2002/96/EC in order to be recycled or dismantled to minimise its impact on the environment. For further information, please contact your local or regional authorities.

Electronic products not included in the selective sorting process are potentially dangerous for the environment and human health due to the presence of hazardous substances.

## CONTENTS

### **1 Your refrigerator** **3**

### **2 Important Safety Warnings** **4**

Intended use .....	4
For products with a water dispenser; ..	6
Child safety.....	6
HCA Warning .....	6
Things to be done for energy saving..	7
Reccomendations for freshfood compartment.....	7

### **3 Installation** **8**

Points to be considered when re- transporting your refrigerator .....	8
Before operating your refrigerator .....	8
Electric connection .....	8
Disposing of the packaging .....	9
Disposing of your old refrigerator .....	9
Placing and Installation .....	9
Open door warning.....	10
Changing the illumination lamp .....	10
Installing the lower ventilation cover ..	10
Adjusting the feet.....	10

### **4 Preparation** **11**

### **5 Using your refrigerator** **12**

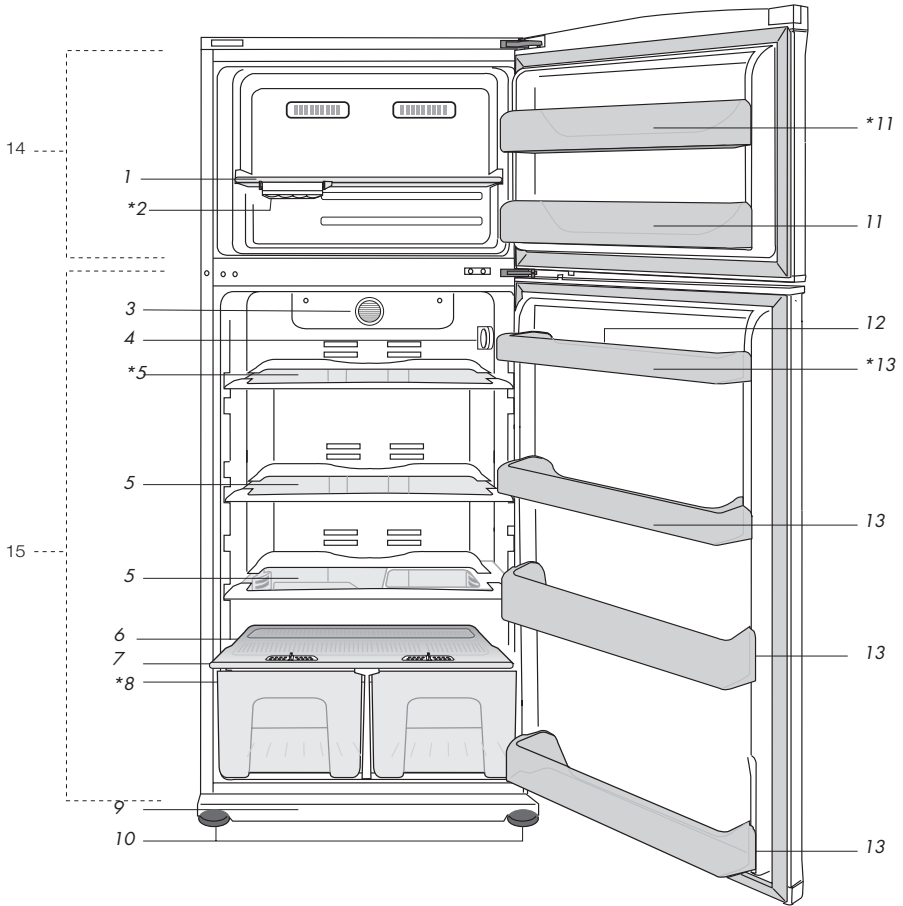
Temperature setting button.....	12
Setting the temperature of your refrigerator.....	12
Dual cooling system .....	12
Hygiene - Ion .....	12
Vacation Function .....	13
Freezing fresh food.....	14
Recommendations for preservation of frozen food .....	15
Placing the food .....	15
Deep-freeze information .....	15
Odour filter .....	16
Making ice.....	17
Crisper humidity control sliders.....	17
Reversing the doors .....	18

### **6 Maintenance and cleaning** **19**

Protection of plastic surfaces .....	19
--------------------------------------	----

### **7 Recommended solutions for the problems** **20**

# 1 Your refrigerator



- |    |                                  |     |                                 |
|----|----------------------------------|-----|---------------------------------|
| 1- | Freezer compartment shelf        | 9-  | Lower ventilation cover         |
| 2- | Ice storage container            | 10- | Adjustable legs                 |
| 3- | Odour filter (in the air duct)   | 11- | Freezer compartment door shelf  |
| 4- | Temperature setting button       | 12- | Egg holders                     |
| 5- | Adjustable glass shelves         | 13- | Fridge compartment door shelves |
| 6- | Crisper humidity control sliders | 14- | Freezer compartment             |
| 7- | Crisper cover                    | 15- | Fridge compartment              |
| 8- | Crispers                         |     | <b>*OPTIONAL</b>                |

Figures that take place in this instruction manual are schematic and may not correspond exactly with your product. If the subject parts are not included in the product you have purchased, then it is valid for other models.

## 2 Important Safety Warnings

---

Please review the following information. Failure to observe this information may cause injuries or material damage. Otherwise, all warranty and reliability commitments will become invalid.

The usage life of the unit you purchased is 10 years. This is the period for keeping the spare parts required for the unit to operate as described.

### Intended use

This product is intended to be used

- indoors and in closed areas such as homes;
- in closed working environments such as stores and offices;
- in closed accommodation areas such as farm houses, hotels, pensions.
- This product should not be used outdoors.

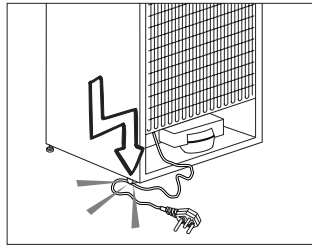
### General safety

- When you want to dispose/scrap the product, we recommend you to consult the authorized service in order to learn the required information and authorized bodies.
- Consult your authorized service for all your questions and problems related to the refrigerator. Do not intervene or let someone intervene to the refrigerator without notifying the authorised services.
- For products with a freezer compartment; Do not eat cone ice cream and ice cubes immediately after you take them out of the freezer compartment! (This may cause frostbite in your mouth.)
- For products with a freezer compartment; Do not put bottled and canned liquid beverages in the freezer compartment. Otherwise, these may burst.
- Do not touch frozen food by hand; they may stick to your hand.
- Unplug your refrigerator before cleaning or defrosting.
- Vapor and vaporized cleaning materials should never be used in cleaning and defrosting processes of your refrigerator. In such cases, the vapor may get in contact with the electrical parts and cause short circuit or electric shock.
- Never use the parts on your refrigerator such as the door as a means of support or step.
- Do not use electrical devices inside the refrigerator.
- Do not damage the parts, where the refrigerant is circulating, with drilling or cutting tools. The refrigerant that might blow out when the gas channels of the evaporator, pipe extensions or surface coatings are punctured causes skin irritations and eye injuries.
- Do not cover or block the ventilation holes on your refrigerator with any material.
- Electrical devices must be repaired by only authorised persons. Repairs performed by incompetent persons create a risk for the user.
- In case of any failure or during a maintenance or repair work, disconnect your refrigerator's mains supply by either turning off the relevant fuse or unplugging your appliance.

- Do not pull by the cable when pulling off the plug.
- Place the beverage with higher proofs tightly closed and vertically.
- Never store spray cans containing flammable and explosive substances in the refrigerator.
- Do not use mechanical devices or other means to accelerate the defrosting process, other than those recommended by the manufacturer.
- This product is not intended to be used by persons with physical, sensory or mental disorders or unlearned or inexperienced people (including children) unless they are attended by a person who will be responsible for their safety or who will instruct them accordingly for use of the product

- Do not operate a damaged refrigerator. Consult with the service agent if you have any concerns.
- Electrical safety of your refrigerator shall be guaranteed only if the earth system in your house complies with standards.
- Exposing the product to rain, snow, sun and wind is dangerous with respect to electrical safety.
- Contact authorized service when there is a power cable damage to avoid danger.
- Never plug the refrigerator into the wall outlet during installation. Otherwise, risk of death or serious injury may arise.
- This refrigerator is intended for only storing food items. It must not be used for any other purpose.
- Label of technical specifications is located on the left wall inside the refrigerator.

- Never connect your refrigerator to electricity-saving systems; they may damage the refrigerator.
- If there is a blue light on the refrigerator, do not look at the blue light with optical tools.
- For manually controlled refrigerators, wait for at least 5 minutes to start the refrigerator after power failure.
- This operation manual should be handed in to the new owner of the product when it is given to others.
- Avoid causing damage on power cable when transporting the refrigerator. Bending cable may cause fire. Never place heavy objects on power cable. Do not touch the plug with wet hands when plugging the product.



- Do not plug the refrigerator if the wall outlet is loose.
- Water should not be sprayed directly on inner or outer parts of the product for safety purposes.
- Do not spray substances containing inflammable gases such as propane gas near the refrigerator to avoid fire and explosion risk.
- Never place containers filled with water on top of the refrigerator, otherwise this may cause electric shock or fire.

- Do not overload your refrigerator with excessive amounts of food. If overloaded, the food items may fall down and hurt you and damage refrigerator when you open the door. Never place objects on top of the refrigerator; otherwise, these objects may fall down when you open or close the refrigerator's door.
- As they require a precise temperature, vaccines, heat-sensitive medicine and scientific materials and etc. should not be kept in the refrigerator.
- If not to be used for a long time, refrigerator should be unplugged. A possible problem in power cable may cause fire.
- The plug's tip should be regularly cleaned; otherwise, it may cause fire.
- The plug's tip should be cleaned regularly with a dry cloth; otherwise, it may cause fire.
- Refrigerator may move if adjustable legs are not properly secured on the floor. Properly securing adjustable legs on the floor can prevent the refrigerator to move.
- When carrying the refrigerator, do not hold it from door handle. Otherwise, it may be snapped.
- When you have to place your product next to another refrigerator or freezer, the distance between devices should be at least 8cm. Otherwise, adjacent side walls may be humidified.

## **For products with a water dispenser;**

Pressure of water mains should be minimum 1 bar. Pressure of water mains should be maximum 8 bars.

- Use only potable water.

## **Child safety**

- If the door has a lock, the key should be kept away from reach of children.
- Children must be supervised to prevent them from tampering with the product.

## **HCA Warning**

### **If your product's cooling system contains R600a:**

This gas is flammable. Therefore, pay attention to not damaging the cooling system and piping during usage and transportation. In the event of damage, keep your product away from potential fire sources that can cause the product catch a fire and ventilate the room in which the unit is placed.

### **Ignore this warning if your product's cooling system contains R134a.**

Type of gas used in the product is stated in the type plate which is on the left wall inside the refrigerator.

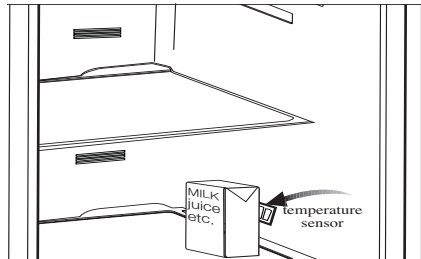
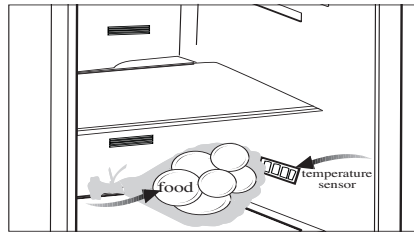
Never throw the product in fire for disposal.

## Things to be done for energy saving

- Do not leave the doors of your refrigerator open for a long time.
- Do not put hot food or drinks in your refrigerator.
- Do not overload your refrigerator so that the air circulation inside of it is not prevented.
- Do not install your refrigerator under direct sunlight or near heat emitting appliances such as ovens, dishwashers or radiators.
- Pay attention to keep your food in closed containers.
- For products with a freezer compartment; You can store maximum amount of food items in the freezer when you remove the shelf or drawer of the freezer. Energy consumption value stated for your refrigerator has been determined by removing freezer shelf or drawer and under maximum load. There is no harm to use a shelf or drawer according to the shapes and size of food to be frozen.
- Thawing frozen food in fridge compartment will both provide energy saving and preserve the food quality.

## Recommmendations for freshfood compartment \* OPTIONAL

- Please do not let any foodstuff to come to contact with the temperature sensor in freshfood compartment. In order to maintain freshfood compartment at ideal storage temperature, the sensor must not be blocked by fodstuffs.
- Do not place hot foodstuff in your appliance.



### 3 Installation

⚠ Please remember that the manufacturer shall not be held liable if the information given in the instruction manual is not observed.

#### Points to be considered when re-transporting your refrigerator

1. Your refrigerator must be emptied and cleaned prior to any transportation.
2. Shelves, accessories, crisper and etc. in your refrigerator must be fastened securely by adhesive tape against any jolt before repackaging.
3. Packaging must be tied with thick tapes and strong ropes and the rules of transportation printed on the package must be followed.

Please do not forget...

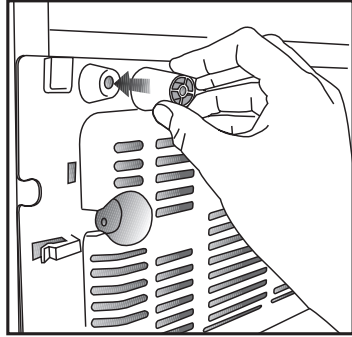
Every recycled material is an indispensable source for the nature and for our national resources.

If you wish to contribute to recycling the packaging materials, you can get further information from the environmental bodies or local authorities.

#### Before operating your refrigerator

Before starting to use your refrigerator check the following:

1. Is the interior of the refrigerator dry and can the air circulate freely in the rear of it?
2. Please install the 2 plastic wedges as illustrated in the figure. Plastic wedges will provide the required distance between your refrigerator and the wall in order to allow the air circulation. (The illustrated figure is only an example and does not match exactly with your product.)



3. Clean the interior of the refrigerator as recommended in the “Maintenance and cleaning” section.
4. Plug the refrigerator into the wall outlet. When the fridge door is open, the fridge compartment interior light will come on.
5. You will hear a noise as the compressor starts up. The liquid and gases sealed within the refrigeration system may also give rise to noise, even if the compressor is not running and this is quite normal.
6. Front edges of the refrigerator may feel warm. This is normal. These areas are designed to be warm to avoid condensation

#### Electric connection

Connect your product to a grounded socket which is being protected by a fuse with the appropriate capacity.

Important:

- The connection must be in compliance with national regulations.
- The power cable plug must be easily accessible after installation.
- The specified voltage must be equal to your mains voltage.
- Extension cables and multiway plugs must not be used for connection.

⚠️ A damaged power cable must be replaced by a qualified electrician.

⚠️ Product must not be operated before it is repaired! There is danger of electric shock!

### **Disposing of the packaging**

The packing materials may be dangerous for children. Keep the packing materials out of the reach of children or dispose of them by classifying them in accordance with the waste instructions. Do not dispose of them along with the normal household waste.

The packing of your refrigerator is produced from recyclable materials.

### **Disposing of your old refrigerator**

Dispose of your old refrigerator without giving any harm to the environment.

- You may consult your authorised dealer or waste collection center of your municipality about the disposal of your refrigerator.

Before disposing of your refrigerator, cut out the electric plug and, if there are any locks on the door, make them inoperable in order to protect children against any danger.

## **Placing and Installation**

⚠️ If the entrance door of the room where the refrigerator will be installed is not wide enough for the refrigerator to pass through, then call the authorised service to have them remove the doors of your refrigerator and pass it sideways through the door.

1. Install your refrigerator to a place that allows ease of use.
2. Keep your refrigerator away from heat sources, humid places and direct sunlight.
3. There must be appropriate air ventilation around your refrigerator in order to achieve an efficient operation. If the refrigerator is to be placed in a recess in the wall, there must be at least 5 cm distance with the ceiling and at least 5 cm with the wall. If the floor is covered with a carpet, your product must be elevated 2.5 cm from the floor.
4. Place your refrigerator on an even floor surface to prevent jolts.

## Changing the illumination lamp

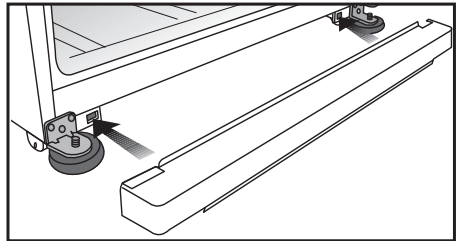
To change the lamp used for illumination of your refrigerator, please call your Authorized Service.

## Open door warning

An audio warning will be given when the fridge or freezer compartment door of your product is left open for a certain period of time. This audio warning signal will mute when any button on the indicator is pressed or when the door is closed.

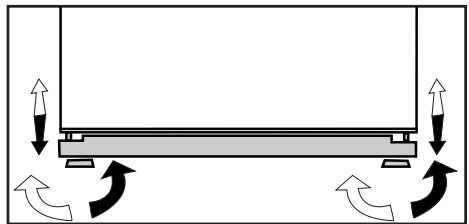
## Installing the lower ventilation cover

You can install the lower ventilation cover as illustrated in the figure.



## Adjusting the feet

If your refrigerator is unbalanced; You can balance your refrigerator by turning the front legs as shown in the illustration below. The corner where the leg exists is lowered when you turn it in the direction of black arrow and raised when you turn in the opposite direction. Taking help from someone to slightly lift the refrigerator will facilitate this process.



## 4 Preparation

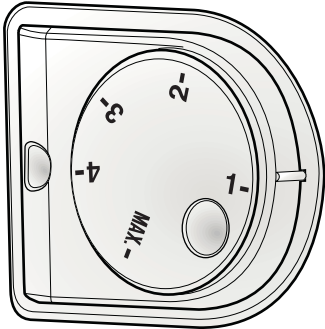
---

- i** Your refrigerator should be installed at least 30 cm away from heat sources such as hobs, ovens, central heater and stoves and at least 5 cm away from electrical ovens and should not be located under direct sunlight.
- i** Please make sure that the interior of your refrigerator is cleaned thoroughly.
- i** If two refrigerators are to be installed side by side, there should be at least 2 cm distance between them.
- i** When you operate your refrigerator for the first time, please observe the following instructions during the initial six hours.
  - The door should not be opened frequently.
  - It must be operated empty without any food in it.
  - Do not unplug your refrigerator. If a power failure occurs out of your control, please see the warnings in the “Recommended solutions for the problems” section.
- i** Original packaging and foam materials should be kept for future transportations or moving.
- i** This appliance is designed to operate at temperatures specified in the table below is equipped with Advanced Electronic Temperature Control System [AETCS] which ensures that at the advised setting [4 - four on the knob] the frozen food in the freezer will not defrost even if the ambient temperature falls as low as -15 °C. When first installed the product

MUST NOT be placed in low ambient temperatures because the freezer will not reduce to its standard operating temperature. Once it has reached its steady operating state it can be re-located. So you may then install your appliance in a garage or an unheated room without having to worry about frozen food in the freezer being spoilt. However at low ambient temperatures mentioned above, fridge contents are likely to freeze, so check and consume food in the fridge accordingly. When the ambient temperature returns to normal, you may change the knob setting to suit your needs.

- i** If the ambient temperature is below 0°C, the food in the fridge compartment will freeze. So, we recommend you don't use the fridge compartment in such low ambient conditions. You can continue using the freezer compartment as usual.

## 5 Using your refrigerator



### Temperature setting button

Temperature setting button allows you to make the temperature setting of your refrigerator.

### Setting the temperature of your refrigerator

The overall temperature setting of your refrigerator is made by means of the temperature setting button on the right wall of the fridge compartment. This button has 4 different temperature setting position. Select the position suitable to your needs.

### Dual cooling system

Your refrigerator is equipped with two separate cooling systems to cool the fresh food compartment and freezer compartment. Thus, air in the fresh food compartment and freezer compartment do not get mixed. Thanks to these two separate cooling systems, cooling speed is much higher than other refrigerators. Odours in the compartments do not get mixed. Also additional power saving is provided since the automatic defrosting is performed individually.

### Hygiene - Ion

**Hygiene+:** The photocatalyst filter in the air channel of refrigerator helps to clean the air inside. Also this filter reduces bad smells.

**Ion+:** Ionizer, that is in the air channel of refrigerator, ionizes the air. With the help of this system airborne bacteria and bad smells originated from these bacteria will be reduced.

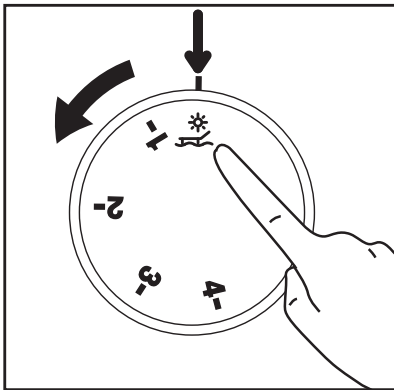
## Vacation Function

If the doors of the product are not opened for 12 hours after the thermostat is switched to the hottest position, then the vacation function will be activated automatically.

Open the door of the product or change the thermostat setting to cancel the function.

Vacation function is optional. It may vary depending on the product type and may not be contained in every product.

It is not recommended to store food in cooler compartment when the vacation function is active.



Figures that take place in this instruction manual are schematic and may not correspond exactly with your product. If the subject parts are not included in the product you have purchased, then it is valid for other models.

Freezer Compartment Adjustment	Fridge Compartment Adjustment	Explanations
-18°C	4°C	This is the normal recommended setting.
-20,-22 or -24°C	4°C	These settings are recommended when the ambient temperature exceeds 30°C.
Quick Freeze	4°C	Use when you wish to freeze your food in a short time. Your refrigerator will return to its previous mode when the process is over.
-18°C or colder	2°C	If you think that your fridge compartment is not cold enough because of the hot conditions or frequent opening and closing of the door.
-18°C or colder	Quick Fridge	You can use it when your fridge compartment is overloaded or if you wish to cool down your food rapidly. It is recommended that you activate quick fridge function 4-8 hours before placing the food.

### Freezing fresh food

- It must be preferred to wrap or cover the food before placing them in the refrigerator.
  - Hot food must cool down to the room temperature before putting them in the refrigerator.
  - The foodstuff that you want to freeze must be fresh and in good quality.
  - Foodstuff must be divided into portions according to the family's daily or meal based consumption needs.
  - The foodstuff must be packaged in an airtight manner to prevent them from drying even if they are going to be kept for a short time.
  - Materials to be used for packaging must be tear-proof and resistant to cold, humidity, odor, oils and acids and they must also be airtight. Moreover, they must be well closed and they must be made from easy-to-use materials that are suitable for deep freeze usage.
- Frozen food must be used immediately after they are thawed and they should never be re-frozen.
  - Please observe the following instructions to obtain the best results.
    1. Do not freeze too large quantities of food at one time. The quality of the food is best preserved when it is frozen right through to the core as quickly as possible.
    2. Placing warm food into the freezer compartment causes the cooling system to operate continuously until the food is frozen solid.
    3. Take special care not to mix already frozen food and fresh food.

## Recommendations for preservation of frozen food

- Prepacked commercially frozen food should be stored in accordance with the frozen food manufacturer's instructions for a **❄️\*\*\*** (4 star) frozen food storage compartment.
- To ensure that the high quality achieved by the frozen food manufacturer and the food retailer is maintained, the following should be remembered:
  1. Put packages in the freezer as quickly as possible after purchase.
  2. Ensure that contents are labeled and dated.
  3. Do not exceed "Use By", "Best Before" dates on the packaging.

### Defrosting

The freezer compartment defrosts automatically.

### Placing the food

Freezer compartment shelves	Various frozen food such as meat, fish, ice cream, vegetables and etc.
Egg tray	Egg
Fridge compartment shelves	Food in pans, covered plates and closed containers
Fridge compartment door shelves	Small and packaged food or drinks (such as milk, fruit juice and beer)
Crisper	Vegetables and fruits
Freshzone compartment	Delicatessen products (cheese, butter, salami and etc.)

## Deep-freeze information

Food must be frozen as rapidly as possible when they are put in a refrigerator in order to keep them in good quality.

The TSE norm requires (according to certain measurement conditions) the refrigerator to freeze at least 4.5 kg of foodstuff at 32°C ambient temperature to -18°C or lower within 24 hours for every 100-liters of freezer volume.

It is possible to keep the food for a long time only at -18°C or lower temperatures.

You can keep the freshness of food for many months (at -18°C or lower temperatures in the deep freeze).

### WARNING! ⚠️

- Foodstuff must be divided into portions according to the family's daily or meal based consumption needs.
- Foodstuff must be packaged in an airtight manner to prevent them from drying even if they are going to be kept for a short time.

Materials necessary for packaging:

- Cold resistant adhesive tape
- Self adhesive label
- Rubber rings
- Pen

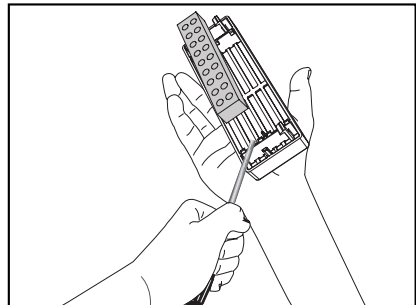
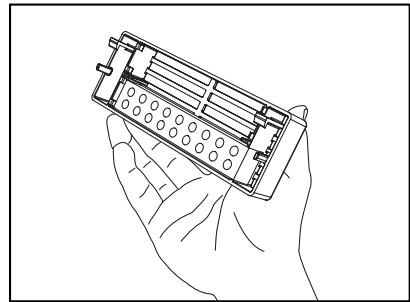
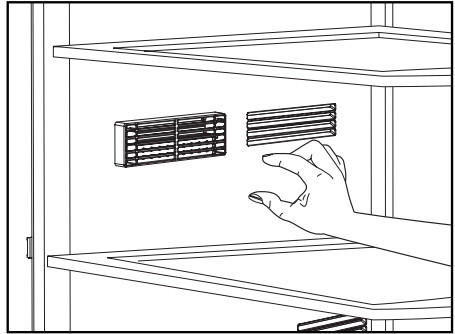
Materials to be used for packaging the foodstuff must be tear-proof and resistant to cold, humidity, odor, oils and acids.

Foodstuff to be frozen should not be allowed to come in contact with the previously frozen items to prevent their partial thawing.

Frozen food must be used immediately after they are thawed and they should never be re-frozen.

## Odour filter

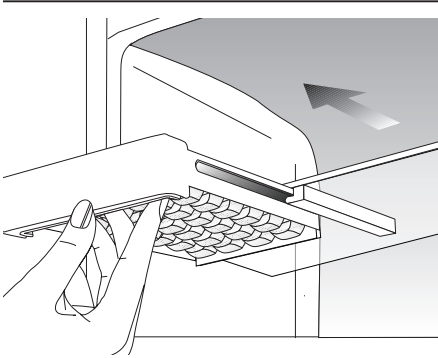
Odour filter in the air duct of the fridge compartment prevents the build-up of unpleasant odours in the refrigerator.



## Making ice

Fill the ice container with water and place it into its seat. Your ice will be ready approximately in two hours.

You can easily remove your ice by slightly twisting the ice container.



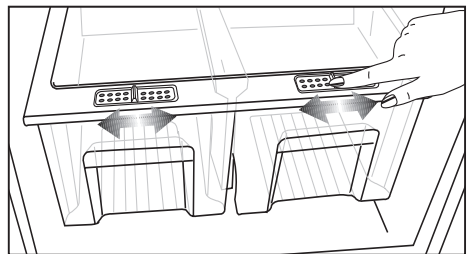
## Crisper humidity control sliders

Using the crisper humidity control sliders

Crisper of your refrigerator is designed specially to keep your vegetables fresh without losing their humidity. Cold air circulates basically around the crisper and the amount of the cold air passing through the crisper is controlled by the sliders on the front side of the crisper cover.

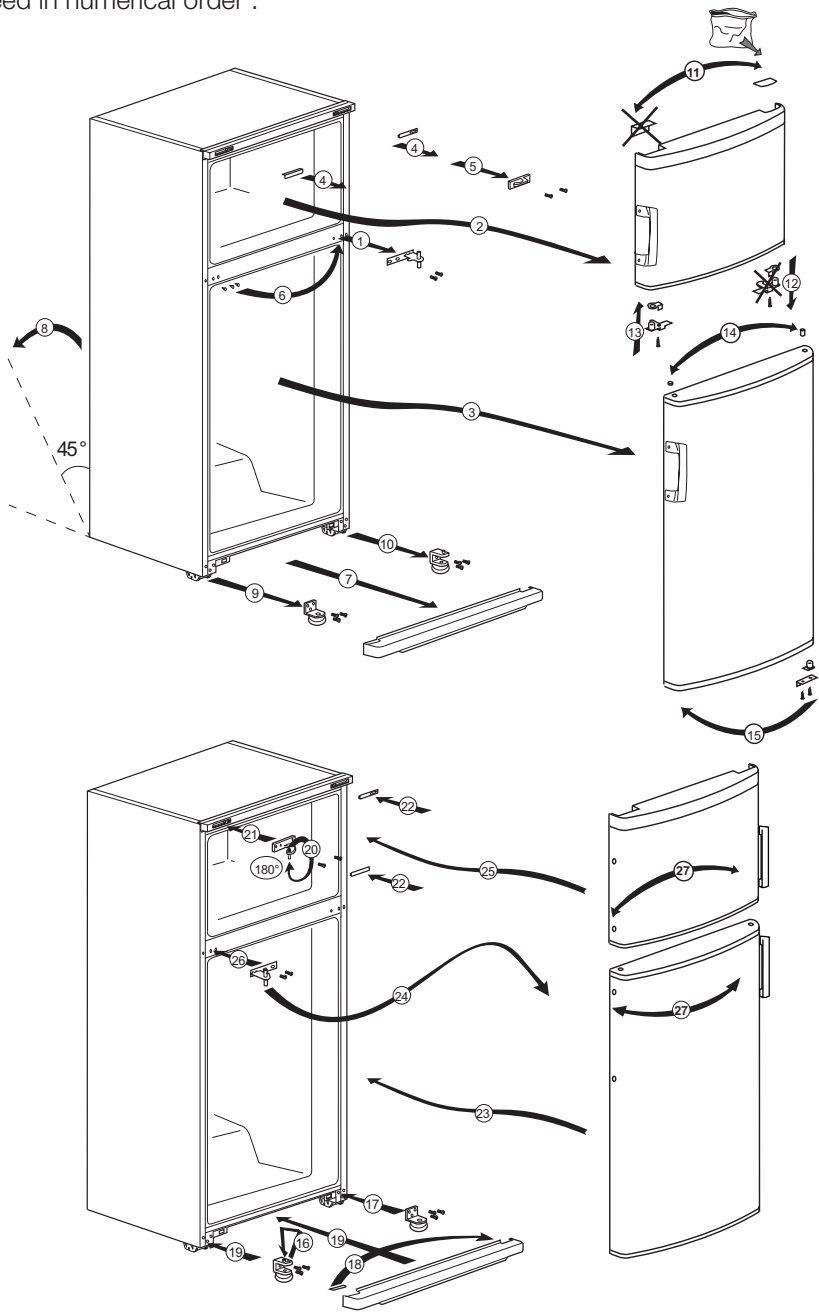
You can adjust the humidity control sliders to a suitable position according to the humidity and cooling condition of your food in the crisper.

If you want your food in the crisper to cool more, open the holes of the humidity control sliders and if you want them to cool less and keep their humidity for a longer time, close the holes.



# Reversing the doors

Proceed in numerical order .



## 6 Maintenance and cleaning

---

- ⚠ Never use gasoline, benzene or similar substances for cleaning purposes.
- ⚠ We recommend that you unplug the appliance before cleaning.
- ⚠ Never use any sharp abrasive instrument, soap, household cleaner, detergent and wax polish for cleaning.
- ℹ Use lukewarm water to clean the cabinet of your refrigerator and wipe it dry.
- ℹ Use a damp cloth wrung out in a solution of one teaspoon of bicarbonate of soda to one pint of water to clean the interior and wipe it dry.
- ⚠ Make sure that no water enters the lamp housing and other electrical items.
- ⚠ If your refrigerator is not going to be used for a long period of time, unplug the power cable, remove all food, clean it and leave the door ajar.
- ℹ Check door seals regularly to ensure they are clean and free from food particles.
- ⚠ To remove door racks, remove all the contents and then simply push the door rack upwards from the base.

### Protection of plastic surfaces

- ℹ Do not put the liquid oils or oil-cooked meals in your refrigerator in unsealed containers as they damage the plastic surfaces of your refrigerator. In case of spilling or smearing oil on the plastic surfaces, clean and rinse the relevant part of the surface at once with warm water.

## 7 Recommended solutions for the problems

Please review this list before calling the service. It might save you time and money. This list includes frequent complaints that are not arising from defective workmanship or material usage. Some of the features described here may not exist in your product.

The refrigerator does not operate.

- Is the refrigerator properly plugged in? Insert the plug to the wall socket.
- Is the fuse of the socket which your refrigerator is connected to or the main fuse blown out? Check the fuse.

Condensation on the side wall of the fridge compartment (MULTIZONE, COOL CONTROL and FLEXI ZONE).

- Very cold ambient conditions. Frequent opening and closing of the door. Highly humid ambient conditions. Storage of food containing liquid in open containers. Leaving the door ajar. Switching the thermostat to a colder degree.
- Decreasing the time the door left open or using it less frequently.
- Covering the food stored in open containers with a suitable material.
- Wipe the condensation using a dry cloth and check if it persists.

Compressor is not running

- Protective thermic of the compressor will blow out during sudden power failures or plug-out plug-ins as the refrigerant pressure in the cooling system of the refrigerator has not been balanced yet. Your refrigerator will start running approximately after 6 minutes. Please call the service if the refrigerator does not startup at the end of this period.
- The fridge is in defrost cycle. This is normal for a full-automatically defrosting refrigerator. Defrosting cycle occurs periodically.
- Your refrigerator is not plugged into the socket. Make sure that the plug is properly fit into the socket.
- Are the temperature adjustments correctly made?
- Power might be cut off.

The fridge is running frequently or for a long time.

- Your new product may be wider than the previous one. This is quite normal. Large refrigerators operate for a longer period of time.
- The ambient room temperature may be high. This is quite normal.
- The refrigerator might have been plugged in recently or might have been loaded with food. Cooling down of the refrigerator completely may last for a couple of hours longer.
- Large amounts of hot food might have been put in the refrigerator recently. Hot food causes longer running of the refrigerator until they reach the safe storage temperature.
- Doors might have been opened frequently or left ajar for a long time. The warm air that has entered into the refrigerator causes the refrigerator to run for longer periods. Open the doors less frequently.
- Freezer or fridge compartment door might have been left ajar. Check if the doors are tightly closed.
- The refrigerator is adjusted to a very low temperature. Adjust the refrigerator temperature to a warmer degree and wait until the temperature is achieved.
- Door seal of the fridge or freezer may be soiled, worn out, broken or not properly seated. Clean or replace the seal. Damaged/broken seal causes the refrigerator to run for a longer period of time in order to maintain the current temperature.

Freezer temperature is very low while the fridge temperature is sufficient.

- The freezer temperature is adjusted to a very low temperature. Adjust the freezer temperature to a warmer degree and check.

Fridge temperature is very low while the freezer temperature is sufficient.

- The fridge temperature might have been adjusted to a very low temperature. Adjust the fridge temperature to a warmer degree and check.

Food kept in the fridge compartment drawers are freezing.

- The fridge temperature might have been adjusted to a very low temperature. Adjust the fridge temperature to a warmer degree and check.

Temperature in the fridge or freezer is very high.

- The fridge temperature might have been adjusted to a very high degree. Fridge adjustment has an effect on the temperature of the freezer. Change the temperature of the fridge or freezer until the fridge or freezer temperature reaches to a sufficient level.
- Doors might have been opened frequently or left ajar for a long time; open them less frequently.
- Door might have been left ajar; close the door completely.
- Large amount of hot food might have been put in the refrigerator recently. Wait until the fridge or freezer reaches the desired temperature.
- The refrigerator might have been plugged in recently. Cooling down of the refrigerator completely takes time.

The operation noise increases when the refrigerator is running.

- The operating performance of the refrigerator may change due to the changes in the ambient temperature. It is normal and not a fault.

#### Vibrations or noise.

- The floor is not even or it is weak. The refrigerator rocks when moved slowly. Make sure that the floor is strong enough to carry the refrigerator, and level.
- The noise may be caused by the items put onto the refrigerator. Items on top of the refrigerator should be removed.

#### There are noises coming from the refrigerator like liquid spilling or spraying.

- Liquid and gas flows happen in accordance with the operating principles of your refrigerator. It is normal and not a fault.

#### There is a noise like wind blowing.

- Fans are used in order to cool the refrigerator. It is normal and not a fault.

#### Condensation on the inner walls of refrigerator.

- Hot and humid weather increases icing and condensation. It is normal and not a fault.
- Doors might have been left ajar; make sure that the doors are closed fully.
- Doors might have been opened frequently or left ajar for a long time; open them less frequently.

#### Humidity occurs on the outside of the refrigerator or between the doors.

- There might be humidity in the air; this is quite normal in humid weather. When the humidity is less, condensation will disappear.

#### Bad odour inside the refrigerator.

- Inside of the refrigerator must be cleaned. Clean the inside of the refrigerator with a sponge, lukewarm water or carbonated water.
- Some containers or package materials might cause the smell. Use a different container or different brand packaging material.

#### The door is not closing.

- Food packages may prevent the door's closing. Replace the packages that are obstructing the door.
- The refrigerator is not completely upright on the floor and rocking when slightly moved. Adjust the elevation screws.
- The floor is not level or strong. Make sure that the floor is level and capable to carry the refrigerator.

#### Crispers are stuck.

- The food might be touching the ceiling of the drawer. Rearrange food in the drawer.

## Παρακαλούμε διαβάστε πρώτα το παρόν εγχειρίδιο!

Αγαπητέ Πελάτη,

Ελπίζουμε ότι η συσκευή σας, που κατασκευάστηκε σε μοντέρνες εγκαταστάσεις και ελέγχθηκε με τις πιο αυστηρές διαδικασίες ελέγχου ποιότητας, θα σας προσφέρει αποδοτικά τις υπηρεσίες της.

Για το λόγο αυτό, συνιστούμε να διαβάσετε προσεκτικά όλο το εγχειρίδιο οδηγιών του προϊόντος σας πριν χρησιμοποιήσετε το προϊόν και κατόπιν να το φυλάξετε σε εύκολα προσπελάσιμο σημείο για μελλοντική αναφορά.

### Το παρόν εγχειρίδιο

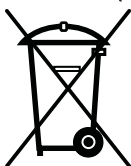
- Θα σας βοηθήσει να χρησιμοποιήσετε τη συσκευή σας με γρήγορο και ασφαλή τρόπο.
- Διαβάστε το εγχειρίδιο πριν την εγκατάσταση και τη χρήση του προϊόντος σας.
- Ακολουθείτε τις οδηγίες και ιδιαίτερα αυτές που αφορούν την ασφάλεια.
- Φυλάξτε το εγχειρίδιο σε εύκολα προσπελάσιμο μέρος γιατί μπορεί να το χρειαστείτε αργότερα.
- Επιπλέον, διαβάστε και την υπόλοιπη τεκμηρίωση που συνοδεύει το προϊόν σας. Έχετε υπόψη σας ότι το παρόν εγχειρίδιο μπορεί να ισχύει και για άλλα μοντέλα.

### Σύμβολα και οι περιγραφές τους

Το παρόν εγχειρίδιο οδηγιών περιέχει τα εξής σύμβολα:

- ❗ Σημαντικές πληροφορίες ή χρήσιμες συμβουλές για τη χρήση.
- ⚠ Προειδοποίηση για συνθήκες επικίνδυνες για τη ζωή και την περιουσία.
- ⚡ Προειδοποίηση για ηλεκτρική τάση.

Ανακύκλωση

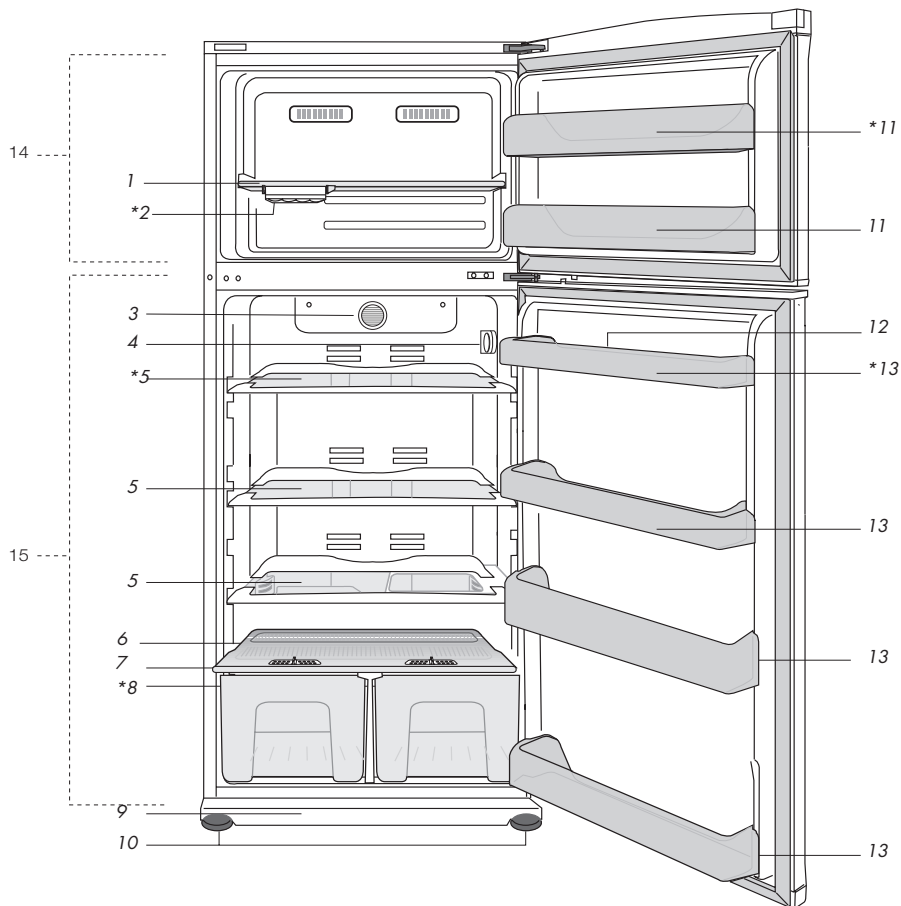


Αυτό το προϊόν φέρει το σύμβολο της επιλεκτικής διαλογής για Απόβλητα ειδών Ηλεκτρικού και Ηλεκτρονικού Εξοπλισμού (ΑΗΗΕ). Αυτό σημαίνει ότι αυτό το προϊόν θα πρέπει να τυχάνει χειρισμού σύμφωνα με την Ευρωπαϊκή Οδηγία 2002/96/ΕΚ για να ανακυκλώνεται ή να αποσυναρμολογείται ώστε να ελαχιστοποιείται η επίπτωσή του στο περιβάλλον. Για περισσότερες πληροφορίες, παρακαλούμε απευθυνθείτε στις τοπικές ή τις περιφερειακές σας αρχές.

Τα ηλεκτρονικά προϊόντα που δεν περιλαμβάνονται στη διαδικασία της επιλεκτικής διαλογής είναι δυνητικά επικίνδυνα για το περιβάλλον και την ανθρώπινη υγεία λόγω της παρουσίας επικίνδυνων ουσιών.

<b>1 Το ψυγείο σας</b>	<b>3</b>	<b>4 Προετοιμασία</b>	<b>11</b>
<b>2 Σημαντικές προειδοποιήσεις ασφαλείας</b>	<b>4</b>	<b>5 Χρήση του ψυγείου σας</b>	<b>12</b>
Προβλεπόμενος σκοπός χρήσης.....	4	Κουμπί ρύθμισης θερμοκρασίας.....	12
Για προϊόντα με διανομέα νερού:.....	6	Ρύθμιση της θερμοκρασίας του ψυγείου σας.....	12
Ασφάλεια των παιδιών.....	6	Διπλό σύστημα ψύξης.....	12
Προειδοποίηση HCA (Για συσκευές Ψύξης - Θέρμανσης).....	6	Διπλή προστασία.....	12
Τι πρέπει να κάνετε για εξοικονόμηση ενέργειας.....	7	Λειτουργία Διακοπών.....	13
Υποδείξεις για το χώρο νωπών τροφίμων.....	7	Διπλό σύστημα ψύξης:.....	14
<b>3 Εγκατάσταση</b>	<b>8</b>	Κατάψυξη νωπών τροφίμων.....	14
Σημεία που πρέπει να προσέξετε κατά την εκ νέου μεταφορά του ψυγείου...	8	Συμβουλές για τη διατήρηση κατεψυγμένων τροφίμων.....	14
Πριν θέσετε σε λειτουργία το ψυγείο σας.....	8	Τοποθέτηση των τροφίμων.....	14
Ηλεκτρική σύνδεση.....	8	Πληροφορίες για τη Βαθιά Κατάψυξη.....	15
Διάθεση των υλικών συσκευασίας.....	9	Συρόμενοι ρυθμιστές υγρασίας συρταριών λαχανικών.....	16
Διάθεση του παλιού σας ψυγείου.....	9	Πώς να φτιάχνετε παγάκια.....	16
Τοποθέτηση και εγκατάσταση.....	9	Φίλτρο οσμών.....	17
Αντικατάσταση της λάμπας φωτισμού.....	10	Αντιστροφή της φοράς ανοίγματος των πορτών.....	18
Τοποθέτηση του κάτω καλύμματος αερισμού.....	10	<b>6 Συντήρηση και καθαρισμός</b>	<b>19</b>
Ρύθμιση των ποδιών.....	10	Προστασία των πλαστικών επιφανειών.....	19
Προειδοποίηση ανοικτής πόρτας.....	10	<b>7 Συνιστώμενες λύσεις για προβλήματα</b>	<b>20</b>

# 1 Το ψυγείο σας



- 1- Ράφι χώρου κατάψυξης
- 2- Δοχείο φύλαξης πάγου
- 3- Φίλτρο οσμών (στον αεραγωγό)
- 4- Κουμπί ρύθμισης θερμοκρασίας
- 5- Ρυθμιζόμενα γυάλινα ράφια
- 6- Συρόμενοι ρυθμιστές υγρασίας συρταριών λαχανικών
- 7- Κάλυμμα συρταριών λαχανικών
- 8- Συρτάρια λαχανικών

- 9- Κάτω κάλυμμα αερισμού
- 10- Ρυθμιζόμενα πόδια
- 11- Ράφι πόρτας χώρου κατάψυξης
- 12- Αυγοθήκες
- 13- Ράφια πόρτας χώρου συντήρησης
- 14- Χώρος κατάψυξης
- 15- Χώρος συντήρησης

## **\*ΠΡΟΑΙΡΕΤΙΚΗ**

Οι εικόνες σ' αυτό το εγχειρίδιο οδηγιών είναι σχηματικές και ενδέχεται να μην ανταποκρίνονται ακριβώς στο προϊόν σας. Αν ορισμένα τμήματα δεν περιλαμβάνονται στο προϊόν που έχετε προμηθευτεί, τότε ισχύουν για άλλα μοντέλα.

## 2 Σημαντικές προειδοποιήσεις ασφαλείας

Παρακαλούμε να μελετήσετε τις πληροφορίες που ακολουθούν. Η μη τήρηση αυτών των πληροφοριών μπορεί να γίνει αιτία τραυματισμών ή υλικών ζημιών. Αν δεν το κάνετε αυτό, θα καταστεί άκυρη κάθε εγγύηση και κάθε δέσμευση περί αξιοπιστίας.

Ο χρόνος ωφέλιμης ζωής της μονάδας που προμηθευτήκατε είναι 10 έτη. Αυτή είναι η περίοδος διατήρησης των ανταλλακτικών που απαιτούνται για τη λειτουργία της μονάδας σύμφωνα με τα περιγραφόμενα.

### Προβλεπόμενος σκοπός χρήσης

Το προϊόν αυτό προορίζεται να χρησιμοποιείται

- σε εσωτερικούς χώρους και κλειστές περιοχές όπως είναι τα σπίτια
- σε κλειστούς χώρους εργασίας όπως καταστήματα και γραφεία
- σε κλειστούς χώρους ενδιάμεσης όπως αγροτόσπιτα, ξενοδοχεία, πανσιόν.
- Το προϊόν αυτό δεν πρέπει να χρησιμοποιείται σε εξωτερικό χώρο.

### Γενικές οδηγίες ασφαλείας

- Όταν θέλετε να πετάξετε ως άχρηστο ή να ανακυκλώσετε το προϊόν, συνιστούμε για τις απαιτούμενες πληροφορίες να συμβουλευτείτε το εξουσιοδοτημένο σέρβις ή τους αρμόδιους φορείς.
- Να συμβουλευέστε το εξουσιοδοτημένο σέρβις για όλες τις ερωτήσεις και προβλήματα σχετικά με το ψυγείο. Μην επεμβαίνετε και μην αφήνετε οποιονδήποτε άλλον να επέμβει στο ψυγείο χωρίς να ειδοποιήσετε το εξουσιοδοτημένο σέρβις.
- Για προϊόντα με χώρο κατάψυξης: Μην καταναλώνετε παγωτό και παγοκύβους αμέσως μόλις τα βγάλετε από το χώρο της κατάψυξης! (Αυτό μπορεί να προκαλέσει κρυσπαγήματα στο στόμα σας).
- Για προϊόντα με χώρο κατάψυξης: Μην τοποθετείτε στην κατάψυξη ποτά ή αναψυκτικά σε μπουκάλια ή μεταλλικά κουτιά. Αλλιώς, υπάρχει κίνδυνος να

σκάσουν.

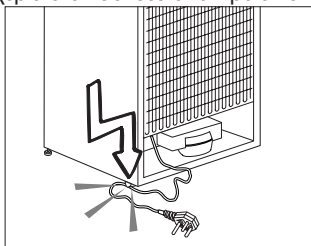
- Μην αγγίζετε τα παγωμένα τρόφιμα με τα χέρια, γιατί μπορεί να κολλήσουν στο χέρι σας.
- Αποσυνδέετε το ψυγείο από την πρίζα πριν τον καθαρισμό ή την απόψυξη.
- Δεν πρέπει να χρησιμοποιείτε ποτέ ατμό και ατμοποιημένα καθαριστικά υλικά στις διαδικασίες καθαρισμού και απόψυξης του ψυγείου σας. Σε τέτοιες περιπτώσεις, ο ατμός μπορεί να έλθει σε επαφή με τα ηλεκτρικά εξαρτήματα και να γίνει η αιτία βραχυκυκλώματος ή ηλεκτροπληξίας.
- Ποτέ μη χρησιμοποιείτε εξαρτήματα του ψυγείου σας, όπως η πόρτα, ως μέσο στήριξης ή ως σκαλοπάτι.
- Μη χρησιμοποιείτε ηλεκτρικές συσκευές στο εσωτερικό του ψυγείου.
- Μην προξενήσετε ζημιά με εργασία διάτρησης ή κοπής στα μέρη της συσκευής όπου κυκλοφορεί το ψυκτικό μέσο. Το ψυκτικό μέσο που μπορεί να εκτιναχθεί αν τρυπήσουν οι διοδοί αερίου του εξατμιστήρα, των επεκτάσεων σωλήνων ή των επιφανειακών επικαλύψεων, προκαλεί ερεθισμό στο δέρμα και τραυματισμό στα μάτια.
- Μην καλύπτετε και μην φράσετε με οποιοδήποτε υλικό τα ανοίγματα αερισμού του ψυγείου σας.
- Οι επισκευές σε ηλεκτρικές συσκευές πρέπει να διεξάγονται μόνο από εξουσιοδοτημένο προσωπικό. Οι επισκευές που γίνονται από αναρμόδια άτομα δημιουργούν κινδύνους για το χρήστη.
- Σε περίπτωση οποιασδήποτε βλάβης ή κατά τη διάρκεια των εργασιών συντήρησης ή επισκευών, να αποσυνδέετε το ψυγείο από την παροχή ηλεκτρικού ρεύματος είτε απενεργοποιώντας τον αντίστοιχο ασφαλειοδιακόπτη είτε βγάζοντας το φως από την πρίζα.
- Για την αποσύνδεση του φως μην τραβάτε το καλώδιο.
- Τοποθετείτε τα ποτά που έχουν σχετικά

μεγάλη περιεκτικότητα σε οινόπνευμα σφικτά κλεισμένα και σε κατακόρυφη θέση.

- Ποτέ μην αποθηκεύετε στο ψυγείο μπουκάλια σπρέι που περιέχουν εύφλεκτες και εκρηκτικές ουσίες.
- Μη χρησιμοποιείτε μηχανικές διατάξεις ή άλλα μέσα για να επιταχύνετε τη διαδικασία της απόψυξης, εκτός από τα μέσα που συνιστά ο κατασκευαστής.
- Το προϊόν αυτό δεν προορίζεται για χρήση από άτομα με σωματικά, αισθητηριακά ή διανοητικά προβλήματα ή από άτομα με έλλειψη εμπειρίας (περιλαμβανομένων παιδιών), εκτός αν τα άτομα βρίσκονται υπό την επίβλεψη ατόμου που θα είναι υπεύθυνο για την ασφάλειά τους ή που θα τα καθοδηγήσει όπως απαιτείται για τη χρήση του προϊόντος
- Μη χρησιμοποιήσετε το ψυγείο αν έχει υποστεί βλάβη ή ζημιά. Αν έχετε οποιαδήποτε αμφιβολία συμβουλευτείτε τον αντιπρόσωπο σέρβις.
- Η ηλεκτρική ασφάλεια του ψυγείου σας θα είναι εγγυημένη μόνον αν το σύστημα γείωσης του σπιτιού σας συμμορφώνεται με τα ισχύοντα πρότυπα.
- Η έκθεση του προϊόντος σε βροχή, χιόνι, ήλιο και άνεμο δημιουργεί κινδύνους σε σχέση με την ασφάλεια με το ηλεκτρικό ρεύμα.
- Αν υπάρχει ζημιά στο καλώδιο ρεύματος, για την αποφυγή κινδύνου επικοινωνήστε με το εξουσιοδοτημένο σέρβις.
- Σε καμία περίπτωση μη συνδέσετε το ψυγείο στην πρίζα κατά τη διάρκεια της εγκατάστασης. Αλλιώς, μπορεί να δημιουργηθεί κίνδυνος θανάτου ή σοβαρού τραυματισμού.
- Το ψυγείο αυτό προορίζεται αποκλειστικά για τη φύλαξη τροφίμων. Δεν πρέπει να χρησιμοποιηθεί για οποιονδήποτε άλλο σκοπό.
- Η ετικέτα τεχνικών προδιαγραφών βρίσκεται πάνω στο αριστερό τοίχωμα στο εσωτερικό του ψυγείου.
- Ποτέ μη συνδέσετε το ψυγείο σας σε συστήματα εξοικονόμησης ενέργειας, γιατί αυτά μπορεί να προκαλέσουν ζημιά στο ψυγείο.
- Αν το ψυγείο σας διαθέτει μπλε φως, μην

κοιτάζετε το μπλε φως μέσω οπτικών διατάξεων.

- Για ψυγεία με μη αυτόματο σύστημα ελέγχου, μετά από διακοπή ρεύματος περιμένετε τουλάχιστον 5 λεπτά πριν θέσετε πάλι το ψυγείο σε λειτουργία.
- Σε περίπτωση μεταβίβασης, το παρόν εγχειρίδιο χρήσης θα πρέπει να παραδοθεί στον καινούριο ιδιοκτήτη του προϊόντος.
- Αποφύγετε την πρόκληση ζημιάς στο καλώδιο ρεύματος όταν μεταφέρετε το ψυγείο. Αν το καλώδιο τσακίσει μπορεί να προκληθεί πυρκαγιά. Ποτέ μην τοποθετείτε βαριά αντικείμενα πάνω στο καλώδιο ρεύματος. Μην αγγίζετε το φως με υγρά χέρια όταν συνδέετε το προϊόν στην πρίζα.



- Μη συνδέσετε το ψυγείο σε πρίζα που δεν είναι καλά στερεωμένη στη θέση της.
- Για λόγους ασφαλείας, δεν πρέπει ποτέ να πιπιλίζετε νερό απ' ευθείας σε εσωτερικά ή εξωτερικά μέρη του προϊόντος.
- Για να αποφύγετε τον κίνδυνο πυρκαγιάς και έκρηξης, μην ψεκάζετε κοντά στο ψυγείο υλικά που περιέχουν εύφλεκτα αέρια όπως προπάνιο κ.λ.π.
- Ποτέ μην τοποθετείτε πάνω στο ψυγείο δοχεία που περιέχουν νερό, γιατί μπορεί να προκληθεί ηλεκτροπληξία ή πυρκαγιά.
- Μην υπερφορτώνετε το ψυγείο με υπερβολική ποσότητα τροφίμων. Αν υπερφορτωθεί το ψυγείο, όταν ανοίγετε την πόρτα τα τρόφιμα μπορεί να πέσουν και να σας κτυπήσουν ή να προξενήσουν ζημιά στο ψυγείο. Ποτέ μην τοποθετείτε αντικείμενα πάνω στο ψυγείο. Διαφορετικά μπορεί να πέσουν όταν ανοίγετε ή κλείνετε την πόρτα του ψυγείου.
- Επειδή για τη φύλαξη τους απαιτούνται ακριβείς συνθήκες θερμοκρασίας, δεν πρέπει να φυλάσσονται στο ψυγείο εμβόλια, φάρμακα ευαίσθητα στη

θερμοκρασία, επιστημονικά υλικά κλπ.

- Το ψυγείο θα πρέπει να αποσυνδέεται από το ρεύμα αν δεν πρόκειται να χρησιμοποιηθεί για μεγάλο χρονικό διάστημα. Ένα ενδεχόμενο πρόβλημα στο καλώδιο ρεύματος μπορεί να προκαλέσει πυρκαγιά.
- Τα άκρα του φιν ρευματοληψίας πρέπει να καθαρίζονται τακτικά, αλλιώς μπορεί να προκληθεί πυρκαγιά.
- Τα άκρα του φιν πρέπει να καθαρίζονται τακτικά με ένα στεγνό πανί, αλλιώς μπορεί να προκληθεί πυρκαγιά.
- Το ψυγείο μπορεί να μετακινηθεί αν τα ρυθμιζόμενα πόδια δεν έχουν ρυθμιστεί ώστε να έχουν σταθερή επαφή με το δάπεδο. Η σωστή στερέωση των ρυθμιζόμενων ποδιών στο δάπεδο μπορεί να αποτρέψει τη μετακίνηση του ψυγείου.
- Όταν μεταφέρετε το ψυγείο μην το κρατάτε από τη λαβή της πόρτας. Διαφορετικά, αυτή μπορεί να σπάσει.
- Όταν χρειαστεί να εγκαταστήσετε το ψυγείο σας δίπλα σε άλλο ψυγείο ή καταψύκτη, η απόσταση ανάμεσα στις συσκευές θα πρέπει να είναι τουλάχιστον 8 εκ. Διαφορετικά, μπορεί να σχηματιστεί υγρασία στα γειτονικά πλευρικά τοιχώματα.

## Για προϊόντα με διανομέα νερού:

Η πίεση του νερού δικτύου δεν θα πρέπει να είναι μικρότερη από 1 bar. Η πίεση του νερού δικτύου δεν θα πρέπει να είναι μεγαλύτερη από 8 bar.

- Χρησιμοποιείτε μόνο πόσιμο νερό.

## Ασφάλεια των παιδιών

- Αν το ψυγείο σας διαθέτει κλειδαριά, πρέπει να φυλάτε το κλειδί μακριά από παιδιά.
- Τα παιδιά πρέπει να βρίσκονται υπό επίβλεψη ώστε να μην επεμβαίνουν στο προϊόν.

## Προειδοποίηση HCA (Για συσκευές Ψύξης - Θέρμανσης)

### Αν το ψυκτικό σύστημα της συσκευής σας περιέχει R600a:

Το αέριο αυτό είναι εύφλεκτο. Για το λόγο αυτό, προσέχετε να μην προκληθεί ζημιά στο ψυκτικό σύστημα και τις σωληνώσεις του κατά τη χρήση και τη μεταφορά της συσκευής. Σε περίπτωση ζημιάς, κρατήστε τη συσκευή σας μακριά από ενδεχόμενες πηγές φωτιάς οι οποίες μπορούν να κάνουν το προϊόν να πιάσει φωτιά και αερίστε το χώρο στον οποίο είναι τοποθετημένη η μονάδα.

### Αγνοήστε αυτή την προειδοποίηση αν το ψυκτικό σύστημα της συσκευής σας περιέχει R134a.

Ο τύπος αερίου που χρησιμοποιείται στο προϊόν αναφέρεται στην πινακίδα στοιχείων η οποία βρίσκεται πάνω στο αριστερό τοίχωμα στο εσωτερικό του ψυγείου.

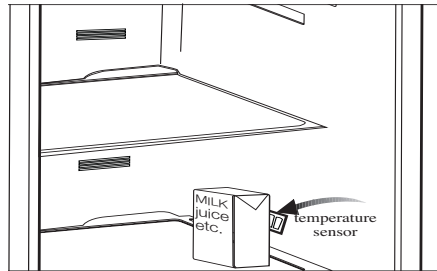
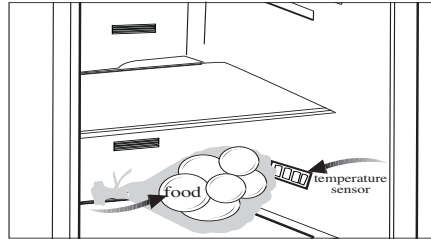
Σε καμία περίπτωση μην πετάξετε το προϊόν σε φωτιά.

## Τι πρέπει να κάνετε για εξοικονόμηση ενέργειας


- Μην αφήνετε τις πόρτες του ψυγείου σας ανοικτές για μεγάλο χρονικό διάστημα.
- Μην τοποθετείτε ζεστά φαγητά ή ποτά στο ψυγείο σας.
- Μην υπερφορτώνετε το ψυγείο σας, ώστε να μην εμποδίζεται η κυκλοφορία αέρα στο εσωτερικό του.
- Μην τοποθετείτε το ψυγείο σας σε απ' ευθείας ηλιακό φως ή κοντά σε συσκευές που εκπέμπουν θερμότητα όπως φούρνους, πλυντήρια πιάτων ή σώματα θέρμανσης.
- Φροντίστε να διατηρείτε τα τρόφιμα σε κλειστά δοχεία.
- Για προϊόντα με χώρο κατάψυξης: Μπορείτε να φυλάξετε τη μέγιστη ποσότητα τροφίμων στην κατάψυξη όταν αφαιρέσετε το ράφι ή το συρτάρι της κατάψυξης. Η αναφερόμενη τιμή κατανάλωσης ενέργειας για το ψυγείο σας προσδιορίστηκε ενώ είχε αφαιρεθεί το ράφι ή το συρτάρι της κατάψυξης και με το μέγιστο φορτίο τροφίμων. Δεν υπάρχει πρόβλημα από τη χρήση ραφιού ή συρταριού ανάλογα με τα σχήματα και τα μεγέθη των τροφίμων που πρόκειται να καταψυχθούν.
- Η απόψυξη των κατεψυγμένων τροφίμων στο χώρο συντήρησης θα παρέχει και εξοικονόμηση ενέργειας και καλύτερη διατήρηση της ποιότητας των τροφίμων.

## Υποδείξεις για το χώρο νωπών τροφίμων \* ΠΡΟΑΙΡ.

- Μην αφήνετε τρόφιμα να έρθουν σε επαφή με τον αισθητήρα θερμοκρασίας στο χώρο νωπών τροφίμων. Για να διατηρήσετε το χώρο νωπών τροφίμων σε ιδανική θερμοκρασία αποθήκευσης, ο αισθητήρας δεν πρέπει να εμποδίζεται από τρόφιμα.
- Μην τοποθετείτε ζεστά τρόφιμα μέσα στη συσκευή.



### 3 Εγκατάσταση

 Παρακαλούμε να θυμάστε ότι δεν θα θεωρείται υπεύθυνος ο κατασκευαστής αν δεν τηρηθούν οι πληροφορίες που δίνονται στο εγχειρίδιο οδηγιών.

#### Σημεία που πρέπει να προσέξετε κατά την εκ νέου μεταφορά του ψυγείου

1. Θα πρέπει να αδειάσετε και να καθαρίσετε το ψυγείο σας πριν από οποιαδήποτε μεταφορά.
2. Πριν τοποθετήσετε πάλι το ψυγείο στη συσκευασία του, τα ράφια, τα αξεσουάρ, το συρτάρι λαχανικών κλπ. θα πρέπει να στερεωθούν με χρήση κολλητικής ταινίας για προστασία από τα τραντάγματα.
3. Η συσκευασία θα πρέπει να ασφαλιστεί με ταινίες κατάλληλου πάχους και γερά σχοινιά και θα πρέπει να ακολουθούνται οι κανόνες μεταφοράς που είναι τυπωμένοι στο κιβώτιο.

Μην ξεχνάτε...

Κάθε υλικό που ανακυκλώνεται είναι μια απαραίτητη πηγή υλικών προς όφελος της φύσης και των εθνικών μας πόρων.

Αν επιθυμείτε να συμβάλετε στην ανακύκλωση των υλικών συσκευασίας, μπορείτε να πάρετε περισσότερες πληροφορίες από τους περιβαλλοντικούς φορείς ή τις τοπικές αρχές.

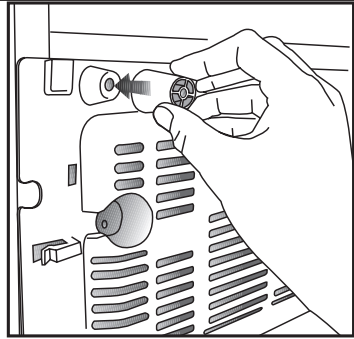
#### Πριν θέσετε σε λειτουργία το ψυγείο σας

Πριν αρχίσετε να χρησιμοποιείτε το ψυγείο σας ελέγξτε τα εξής:

Καθαρίστε το εσωτερικό του ψυγείου όπως συνιστάται στην ενότητα "Συντήρηση και καθαρισμός".

Συνδέστε το ψυγείο στην πρίζα στον τοίχο. Όταν ανοιχτεί η πόρτα, το εσωτερικό φως στο χώρο συντήρησης θα ανάψει.

Οι μπροστινές ακμές του ψυγείου μπορεί να είναι θερμές στο άγγιγμα. Αυτό είναι φυσιολογικό. Οι περιοχές αυτές έχουν σχεδιαστεί να είναι θερμές ώστε να αποφεύγεται η συμπύκνωση.



1. Είναι το εσωτερικό του ψυγείου στεγνό και μπορεί ο αέρας να κυκλοφορεί ανεμπόδιστα στο πίσω του μέρος;
2. Εισάγετε τις 2 πλαστικές σφήνες στο πίσω σύστημα αερισμού, όπως δείχνει η ακόλουθη εικόνα. Οι πλαστικές σφήνες θα παρέχουν την απαιτούμενη απόσταση ανάμεσα στο ψυγείο σας και τον τοίχο ώστε να επιτρέπεται η κυκλοφορία του αέρα.
3. Καθαρίστε το εσωτερικό του ψυγείου όπως συνιστάται στην ενότητα "Συντήρηση και καθαρισμός".
4. Συνδέστε το ψυγείο στην πρίζα στον τοίχο. Όταν ανοιχτεί η πόρτα, το εσωτερικό φως στο χώρο συντήρησης θα ανάψει.
5. Θα ακούσετε ένα θόρυβο καθώς ξεκινά η λειτουργία του συμπιεστή. Το υγρό και τα αέρια που βρίσκονται στο κλειστό κύκλωμα ψύξης μπορεί επίσης να προκαλέσουν θόρυβο, ακόμα και όταν ο συμπιεστής δεν λειτουργεί, πράγμα που είναι φυσιολογικό.
6. Οι μπροστινές ακμές του ψυγείου μπορεί να είναι θερμές στο άγγιγμα. Αυτό είναι φυσιολογικό. Οι περιοχές αυτές έχουν σχεδιαστεί να είναι θερμές ώστε να αποφεύγεται η συμπύκνωση.

#### Ηλεκτρική σύνδεση

Συνδέστε τη συσκευή σας σε γειωμένη πρίζα η οποία προστατεύεται από ασφάλεια κατάλληλης ονομαστικής τιμής ρεύματος.

Σημαντική παρατήρηση:

- Η σύνδεση πρέπει να συμμορφώνεται με τους εθνικούς κανονισμούς.
- Το φως του καλωδίου ρεύματος πρέπει να είναι εύκολα προσπελάσιμο μετά την εγκατάσταση.
- Η καθοριζόμενη ηλεκτρική τάση πρέπει να είναι ίδια με την τάση ρεύματος του δικτύου σας.
- Δεν πρέπει να χρησιμοποιούνται καλώδια προέκτασης και πολύπριζα για τη σύνδεση στο ρεύμα.

⚠ Αν ένα καλώδιο ρεύματος έχει υποστεί ζημιά, αυτό πρέπει να αντικατασταθεί από αδειούχο ειδικό τεχνικό.

⚠ Δεν επιτρέπεται η λειτουργία της συσκευής πριν την επισκευή! Υπάρχει κίνδυνος ηλεκτροπληξίας!

### **Διάθεση των υλικών συσκευασίας**

Τα υλικά συσκευασίας μπορεί να είναι επικίνδυνα για τα παιδιά. Κρατάτε τα υλικά συσκευασίας μακριά από παιδιά ή πετάξτε τα αφού τα διαχωρίσετε ανάλογα με τις οδηγίες για απόβλητα. Μην τα πετάξετε μαζί με τα κοινά οικιακά απορρίμματα.

Η συσκευασία του ψυγείου σας έχει παραχθεί από ανακυκλώσιμα υλικά.

### **Διάθεση του παλιού σας ψυγείου**

Απορρίψτε το παλιό σας ψυγείο με τρόπο φιλικό προς το περιβάλλον.

- Σχετικά με τον τρόπο απόρριψης του ψυγείου σας μπορείτε να συμβουλευτείτε τον εξουσιοδοτημένο έμπορο που συνεργάζεστε ή τις δημοτικές σας αρχές.

Πριν πετάξετε το ψυγείο σας, κόψτε το καλώδιο ρεύματος, και, αν υπάρχουν

κλειδαριές σε πόρτες, καταστήστε τις μη λειτουργικές, για την προστασία των παιδιών από οποιονδήποτε κίνδυνο.

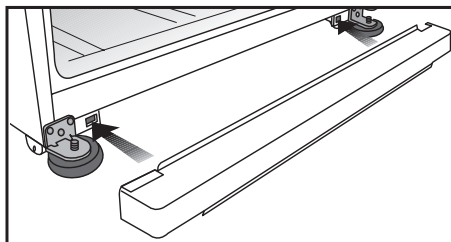
### **Τοποθέτηση και εγκατάσταση**

⚠ Αν η πόρτα εισόδου του χώρου όπου θα τοποθετηθεί το ψυγείο δεν είναι αρκετά πλατιά για να περάσει το ψυγείο, τότε καλέστε το εξουσιοδοτημένο σέρβις για να αφαιρέσει την πόρτα του ψυγείου σας και να το περάσει μέσα από την πόρτα με το πλάι.

1. Εγκαταστήστε το ψυγείο σε θέση που προσφέρει ευκολία στη χρήση.
2. Κρατήστε το ψυγείο σας μακριά από πηγές θερμότητας, μέρη με υγρασία και απ' ευθείας ηλιακό φως.
3. Πρέπει να υπάρχει επαρκής κυκλοφορία αέρα γύρω από το ψυγείο σας για να επιτυγχάνεται αποδοτική λειτουργία. Αν το ψυγείο πρέπει να τοποθετηθεί σε εσοχή στον τοίχο, θα πρέπει να υπάρχει ελάχιστη απόσταση 5 εκ. από το ταβάνι και 5 εκ. από τον τοίχο. Αν το πάτωμα είναι καλυμμένο με χαλί, το προϊόν σας θα πρέπει να ανυψωθεί κατά 2,5 εκ. από το δάπεδο.
4. Τοποθετήστε το ψυγείο σας σε δάπεδο με επίπεδη επιφάνεια για να αποφευχθούν τα τραντάγματα.

## Τοποθέτηση του κάτω καλύμματος αερισμού

Μπορείτε να τοποθετήσετε το κάτω κάλυμμα αερισμού όπως δείχνει η εικόνα.



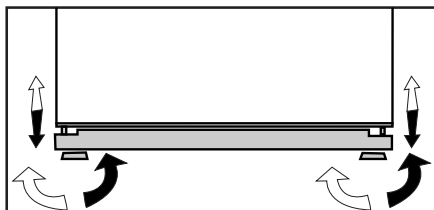
## Αντικατάσταση της λάμπας φωτισμού

Για αλλαγή της λάμπας φωτισμού του ψυγείου σας, καλέστε το τοπικό σας εξουσιοδοτημένο σέρβις.

## Ρύθμιση των ποδιών

Αν το ψυγείο σας δεν είναι καλά ισορροπημένο:

Μπορείτε να ισορροπήσετε το ψυγείο σας περιστρέφοντας τα μπροστινά πόδια του, όπως δείχνει η εικόνα. Η γωνία όπου βρίσκεται το πόδι στην κατεύθυνση του μαύρου βέλους και ανυψώνεται όταν το γυρίζετε στην αντίθετη κατεύθυνση. Η διαδικασία αυτή θα γίνει πιο εύκολη αν κάποιος σας βοηθήσει ανυψώνοντας ελαφρά το ψυγείο.



## Προειδοποίηση ανοικτής πόρτας

Όταν η πόρτα του χώρου συντήρησης ή κατάψυξης της συσκευής σας παραμένει ανοικτή για ορισμένη χρονική περίοδο, θα παραχθεί μια ηχητική ειδοποίηση. Αυτό το ηχητικό σήμα προειδοποίησης θα σταματήσει όταν πατηθεί οποιοδήποτε πλήκτρο πάνω στον πίνακα ενδείξεων ή όταν κλείσει η πόρτα.

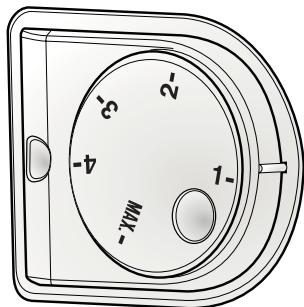
## 4 Προετοιμασία

- i** Το ψυγείο σας θα πρέπει να εγκατασταθεί σε απόσταση τουλάχιστον 30 εκ. από πηγές θερμότητας όπως εστίες μαγειρέματος, φούρνους, σώματα κεντρικής θέρμανσης και σώμπες και τουλάχιστον 5 εκ. μακριά από ηλεκτρικούς φούρνους και δεν θα πρέπει να τοποθετείται σε μέρη όπου δέχεται απ' ευθείας ηλιακή ακτινοβολία.
- i** Παρακαλούμε να φροντίζετε να διατηρείτε το εσωτερικό του ψυγείου σας σχολαστικά καθαρό.
- i** Αν πρέπει να εγκατασταθούν δύο ψυγεία το ένα δίπλα στο άλλο, θα πρέπει να υπάρχει μεταξύ τους απόσταση τουλάχιστον 2 εκ.
- i** Όταν θέσετε το ψυγείο σε λειτουργία για πρώτη φορά, παρακαλούμε τηρείτε τις ακόλουθες οδηγίες κατά τις αρχικές έξι ώρες.
  - Η πόρτα δεν θα πρέπει να ανοίγει συχνά.
  - Το ψυγείο θα πρέπει να λειτουργήσει κενό, χωρίς τρόφιμα στο εσωτερικό του.
  - Μην αποσυνδέσετε το ψυγείο σας από το ρεύμα. Αν συμβεί μια ανεξέλεγκτη διακοπή ρεύματος, δείτε τις προειδοποιήσεις στην ενότητα "Συνιστώμενες λύσεις για προβλήματα".
- i** Η αρχική συσκευασία και τα αφρώδη υλικά θα πρέπει να φυλαχτούν για μελλοντικές μεταφορές ή μετακόμιση.
- i** Η συσκευή αυτή έχει σχεδιαστεί να λειτουργεί σε θερμοκρασίες που καθορίζονται στον πιο κάτω πίνακα και είναι εξοπλισμένη με Προηγμένο ηλεκτρονικό σύστημα ελέγχου θερμοκρασίας (Advanced Electronic Temperature Control System, AETCS) που εξασφαλίζει ότι στη συνιστώμενη ρύθμιση [4 - τέσσερα στο περιστροφικό κουμπί] τα κατεψυγμένα τρόφιμα στο χώρο κατάψυξης δεν θα αποψυχθούν ακόμη και αν η θερμοκρασία περιβάλλοντος πέσει ως τους -15 °C. Όταν γίνεται εγκατάσταση για πρώτη φορά, το προϊόν ΔΕΝ ΘΑ ΠΡΕΠΕΙ να τοποθετηθεί σε χαμηλές θερμοκρασίες περιβάλλοντος επειδή η θερμοκρασία

κατάψυξης δεν θα μειωθεί στην κανονική τιμή λειτουργίας. Όταν το ψυγείο έχει φθάσει στη σταθερή του κατάσταση λειτουργίας, μπορείτε να αλλάξετε τη θέση του. Τότε λοιπόν μπορείτε να εγκαταστήσετε τη συσκευή σας σε γκαράζ ή σε μη θερμαινόμενο δωμάτιο χωρίς να χρειάζεται να ανησυχείτε μήπως χαλάσουν τα τρόφιμα στο χώρο κατάψυξης. Ωστόσο στις χαμηλές θερμοκρασίες που αναφέρθηκαν πιο πάνω, πιθανόν θα παγώσουν τα περιεχόμενα του χώρου συντήρησης, γι' αυτό ελέγχετε και καταναλώνετε όπως χρειάζεται τα τρόφιμα στο χώρο συντήρησης. Όταν η θερμοκρασία περιβάλλοντος επιστρέψει στο κανονικό, μπορείτε να αλλάξετε τη ρύθμιση του περιστροφικού κουμπιού ώστε να ταιριάζει με τις ανάγκες σας.

- i** Αν η θερμοκρασία περιβάλλοντος είναι κάτω από 0°C, τα τρόφιμα στο χώρο συντήρησης θα παγώσουν. Γι' αυτό συνιστούμε να μη χρησιμοποιείτε το χώρο συντήρησης σε τόσο χαμηλές θερμοκρασίες περιβάλλοντος. Μπορείτε να συνεχίσετε τη χρήση του χώρου κατάψυξης ως συνήθως.

## 5 Χρήση του ψυγείου σας



### Κουμπί ρύθμισης θερμοκρασίας

Το κουμπί ρύθμισης θερμοκρασίας σας επιτρέπει να ρυθμίσετε τη θερμοκρασία του ψυγείου σας.

### Ρύθμιση της θερμοκρασίας του ψυγείου σας

Η γενική ρύθμιση θερμοκρασίας του ψυγείου σας γίνεται με το κουμπί ρύθμισης θερμοκρασίας στο δεξιό τοίχωμα του θαλάμου του ψυγείου. Το κουμπί αυτό διαθέτει 5 διαφορετικές θέσεις ρύθμισης της θερμοκρασίας. Επιλέξτε τη θέση που αντιστοιχεί στις ανάγκες σας.

### Διπλό σύστημα ψύξης

Το ψυγείο σας διαθέτει δύο χωριστά συστήματα ψύξης για την ψύξη του χώρου συντήρησης και του χώρου κατάψυξης. Έτσι δεν αναμιγνύεται ο αέρας στο χώρο συντήρησης με τον αέρα του χώρου κατάψυξης. Χάρη στα δύο αυτά χωριστά συστήματα ψύξης, η ταχύτητα ψύξης είναι πολύ υψηλότερη από ότι σε άλλα ψυγεία. Οι οσμές στους δύο χώρους δεν αναμιγνύονται. Επίσης παρέχεται πρόσθετη εξοικονόμηση ενέργειας επειδή η απόψυξη εκτελείται ανεξάρτητα.

### Διπλή προστασία

**Υγιεινή:** Το φίλτρο οσμών στον αεραγωγό του χώρου συντήρησης βοηθά στον καθαρισμό του αέρα στο ψυγείο. Το φίλτρο αυτό περιορίζει το σχηματισμό άσχημων οσμών χάρη στην ειδική του επικάλυψη.

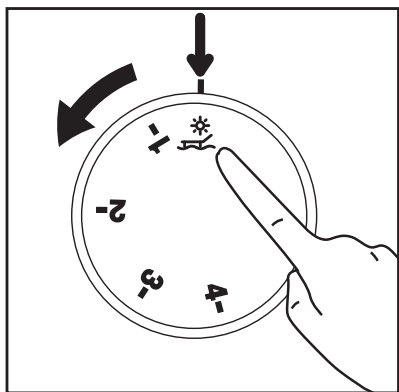
## Λειτουργία Διακοπών

Αν αφού ο θερμοστάτης ρυθμιστεί στην πιο ζεστή ρύθμιση δεν ανοίξουν οι πόρτες της συσκευής για 12 ώρες, τότε θα ενεργοποιηθεί αυτόματα η λειτουργία διακοπών.

Για να ακυρώσετε τη λειτουργία, ανοίξτε την πόρτα του προϊόντος ή αλλάξτε τη ρύθμιση του θερμοστάτη.

Η λειτουργία Διακοπών είναι προαιρετική. Μπορεί να διαφέρει ανάλογα με τον τύπο του προϊόντος και ίσως να μην περιλαμβάνεται σε κάθε προϊόν.

Δεν συνιστάται η φύλαξη τροφίμων στο χώρο συντήρησης όταν είναι ενεργή η λειτουργία διακοπών.



Οι εικόνες σ' αυτό το εγχειρίδιο οδηγιών είναι σχηματικές και ενδέχεται να μην ανταποκρίνονται ακριβώς στο προϊόν σας. Αν ορισμένα τμήματα δεν περιλαμβάνονται στο προϊόν που έχετε προμηθευτεί, τότε ισχύουν για άλλα μοντέλα.

## Διπλό σύστημα ψύξης:

Το ψυγείο σας διαθέτει δύο χωριστά συστήματα ψύξης για την ψύξη του χώρου συντήρησης και του χώρου κατάψυξης. Έτσι δεν αναμιγνύεται ο αέρας στο χώρο συντήρησης με τον αέρα του χώρου κατάψυξης. Χάρη στα δύο αυτά χωριστά συστήματα ψύξης, η ταχύτητα ψύξης είναι πολύ υψηλότερη από ότι σε άλλα ψυγεία. Οι οσμές στους δύο χώρους δεν αναμιγνύονται. Επίσης παρέχεται πρόσθετη εξοικονόμηση ενέργειας επειδή η απόψυξη εκτελείται ανεξάρτητα.


## Κατάψυξη νωπών τροφίμων

- Τυλίγετε ή καλύπτετε τα τρόφιμα πριν τα τοποθετήσετε στο ψυγείο.
  - Αφήνετε τα ζεστά φαγητά να κρυνώνουν σε θερμοκρασία δωματίου πριν τα τοποθετήσετε στο ψυγείο.
  - Τα τρόφιμα που θέλετε να καταψύξετε θα πρέπει να είναι φρέσκα και καλής ποιότητας.
  - Τα τρόφιμα πρέπει να χωρίζονται σε μερίδες ανάλογα με τις καθημερινές ή ανά γεύμα ανάγκες της οικογένειας.
  - Τα τρόφιμα θα πρέπει να συσκευάζονται με αεροστεγή τρόπο για να εμποδίζεται να ξηραίνονται ακόμα και αν πρόκειται να διατηρηθούν στο ψυγείο για σύντομο χρονικό διάστημα.
  - Τα υλικά για τη συσκευασία θα πρέπει να είναι ανθεκτικά σε σχίσιμο και σε χαμηλές θερμοκρασίες, υγρασία, οσμές, λάδια και οξέα και επίσης θα πρέπει να είναι αεροστεγή. Επιπλέον θα πρέπει να είναι καλά κλεισμένα και να είναι κατασκευασμένα από εύχρηστα υλικά που είναι κατάλληλα για χρήση σε συνθήκες βαθιάς κατάψυξης.
  - Τα κατεψυγμένα τρόφιμα θα πρέπει να χρησιμοποιούνται άμεσα μετά την απόψυξή τους και ποτέ δεν θα πρέπει να καταψύχονται πάλι.
  - Παρακαλούμε τηρείτε τις ακόλουθες οδηγίες για να επιτύχετε τα καλύτερα αποτελέσματα.
1. Μην καταψύχετε ταυτόχρονα πολύ μεγάλη ποσότητα τροφίμων. Η ποιότητα των τροφίμων διατηρείται καλύτερα αν αυτά

καταψύχονται ως τον πυρήνα τους όσο το δυνατόν συντομότερα.

2. Η τοποθέτηση ζεστού φαγητού στο χώρο κατάψυξης προκαλεί συνεχή λειτουργία του συστήματος ψύξης έως ότου το φαγητό έχει παγώσει τελείως.
3. Φροντίζετε ιδιαίτερα να μην αναμιγνύετε ήδη κατεψυγμένα και νωπά τρόφιμα.

## Συμβουλές για τη διατήρηση κατεψυγμένων τροφίμων

- Τα προσσκευασμένα κατεψυγμένα τρόφιμα του εμπορίου θα πρέπει να διατηρούνται σύμφωνα με τις οδηγίες του κατασκευαστή των κατεψυγμένων τροφίμων για χώρο συντήρησης κατεψυγμένων τροφίμων τύπου  (4 αστέρων).
  - Για να εξασφαλίσετε ότι θα διατηρηθεί η υψηλή ποιότητα η οποία επιτυγχάνεται από τον κατασκευαστή των κατεψυγμένων τροφίμων και το κατάστημα πώλησης τροφίμων, θα πρέπει να θυμάστε τα ακόλουθα:
1. Τοποθετείτε τις συσκευασίες στο χώρο κατάψυξης όσο το δυνατόν συντομότερα μετά την αγορά.
  2. Βεβαιωθείτε ότι τα περιεχόμενα φέρουν σήμανση με το είδος και την ημερομηνία.
  3. Μην υπερβείτε τις ημερομηνίες λήξης "Κατανάλωση έως", "Καλύτερο πριν" που βρίσκονται στη συσκευασία.

## Απόψυξη

Ο χώρος κατάψυξης διαθέτει αυτόματη απόψυξη.

## Τοποθέτηση των τροφίμων

Ράφια χώρου κατάψυξης	Διάφορα κατεψυγμένα τρόφιμα όπως κρέας, ψάρι, παγωτό, λαχανικά κλπ.
Αυγοθήκη	Αυγά
Ράφια χώρου συντήρησης	Τρόφιμα σε μαγειρικά σκεύη, καλυμμένα πιάτα και κλειστά δοχεία

Ρύθμιση χώρου Κατάψυξης	Ρύθμιση χώρου Συντήρησης	Επεξηγήσεις
-18°C	4°C	Αυτή είναι η κανονικά συνιστώμενη ρύθμιση.
-20,-22 ή -24°C	4°C	Οι ρυθμίσεις αυτές συνιστώνται όταν η θερμοκρασία περιβάλλοντος υπερβαίνει τους 30°C.
Ταχεία Κατάψυξη	4°C	Χρήση όταν θέλετε να καταψύξετε τα τρόφιμά σας σε σύντομο χρόνο. Το ψυγείο σας θα επιστρέψει στην κανονική λειτουργία όταν τελειώσει αυτή η διαδικασία.
-18°C ή μικρότερη	2°C	Αν θεωρείτε ότι ο χώρος συντήρησης του ψυγείου σας δεν είναι αρκετά κρύος λόγω θερμών συνθηκών περιβάλλοντος ή λόγω συχνού ανοίγματος και κλεισίματος της πόρτας.
-18°C ή μικρότερη	Ταχεία Ψύξη	Μπορείτε να την χρησιμοποιήσετε όταν ο χώρος συντήρησης είναι υπερφορτωμένος ή αν επιθυμείτε να ψύξετε πολύ γρήγορα τα τρόφιμά σας. Συνιστάται να ενεργοποιήσετε τη λειτουργία ταχείας ψύξης 4-8 ώρες πριν τοποθετήσετε τα τρόφιμα.

Ράφια πόρτας χώρου συντήρησης	Μικρής ποσότητας και συσκευασμένα τρόφιμα ή ποτά (όπως γάλα, χυμός φρούτων και μπίρα)
Συρτάρι λαχανικών	Λαχανικά και φρούτα
Χώρος ζώνης φρεσκάδας	Προϊόντα Delicatessen (τυρί, βούτυρο, αλλαντικά κλπ.)

## Πληροφορίες για τη Βαθιά Κατάψυξη

Τα τρόφιμα πρέπει να καταψύχονται όσο το δυνατόν ταχύτερα όταν τοποθετούνται στο ψυγείο για να διατηρείται η καλή τους ποιότητα.

Το πρότυπο TSE απαιτεί (σύμφωνα με ορισμένες συνθήκες μέτρησης) το ψυγείο να παγώνει τουλάχιστον 4,5 κιλά τροφίμων από θερμοκρασία περιβάλλοντος 32°C σε θερμοκρασία -18°C ή χαμηλότερη εντός 24 ωρών για κάθε 100 λίτρα όγκου του χώρου κατάψυξης.

Η διατήρηση των τροφίμων για μεγάλο χρονικό διάστημα είναι δυνατή σε θερμοκρασίες -18°C ή χαμηλότερες.

Μπορείτε να διατηρήσετε τη φρεσκάδα των τροφίμων για πολλούς μήνες (στους -18°C ή χαμηλότερες θερμοκρασίες στη βαθιά κατάψυξη).

## ΠΡΟΕΙΔΟΠΟΙΗΣΗ! ⚠

- Τα τρόφιμα πρέπει να χωρίζονται σε μερίδες ανάλογα με τις καθημερινές ή ανά γεύμα ανάγκες της οικογένειας.
- Τα τρόφιμα θα πρέπει να συσκευάζονται με αεροστεγή τρόπο για να εμποδίζεται να ξηραίνονται ακόμα και αν πρόκειται να διατηρηθούν στο ψυγείο για σύντομο χρονικό διάστημα.

Υλικά απαραίτητα για τη συσκευασία:

- Κολλητική ταινία ανθεκτική σε χαμηλές θερμοκρασίες
- Αυτοκόλλητη ετικέτα
- Λαστιχάκια
- Στυλό

Τα υλικά για τη συσκευασία θα πρέπει να είναι ανθεκτικά στο σχίσιμο καθώς και σε χαμηλές θερμοκρασίες, υγρασία, οσμές, λάδια και οξέα.

Τα τρόφιμα προς κατάψυξη δεν θα πρέπει να επιτρέπεται να έρχονται σε επαφή με τα ήδη κατεψυγμένα είδη για να αποτραπεί η μερική απόψυξή τους.

Τα κατεψυγμένα τρόφιμα θα πρέπει να χρησιμοποιούνται άμεσα μετά την απόψυξή τους και ποτέ δεν θα πρέπει να καταψύχονται πάλι.

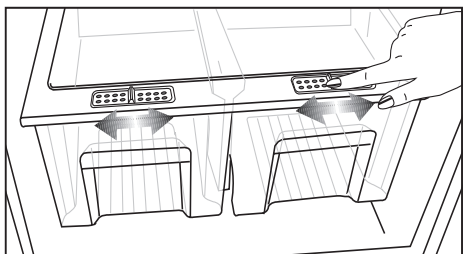
## Συρόμενοι ρυθμιστές υγρασίας συρταριών λαχανικών

Χρήση των συρόμενων ρυθμιστών υγρασίας συρταριών λαχανικών

Τα συρτάρια λαχανικών του ψυγείου σας έχουν σχεδιαστεί ειδικά για να διατηρούν τα λαχανικά φρέσκα χωρίς να χάνουν την υγρασία τους. Βασικά, ο ψυχρός αέρας κυκλοφορεί γύρω από τα συρτάρια λαχανικών και η ποσότητα ψυχρού αέρα που περνά μέσα από τα συρτάρια μπορεί να ρυθμιστεί από του συρόμενους ρυθμιστές της μπροστινής πλευράς του καλύμματος των συρταριών λαχανικών.

Μπορείτε να θέσετε τους συρόμενους ρυθμιστές υγρασίας συρταριών λαχανικών σε κατάλληλη θέση ανάλογα με την υγρασία και την κατάσταση ψύξης των τροφίμων που βρίσκονται μέσα στα συρτάρια λαχανικών.

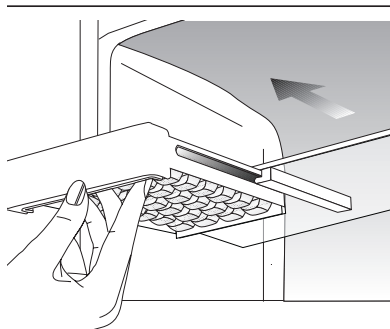
Εάν επιθυμείτε περισσότερη ψύξη των τροφίμων στα συρτάρια λαχανικών, ανοίξτε τις οπές των ρυθμιστών υγρασίας, ενώ εάν θέλετε λιγότερη ψύξη αλλά να διατηρείται η υγρασία τους για μεγαλύτερο χρονικό διάστημα, κλείστε τις οπές.



## Πώς να φτιάχνετε παγάκια

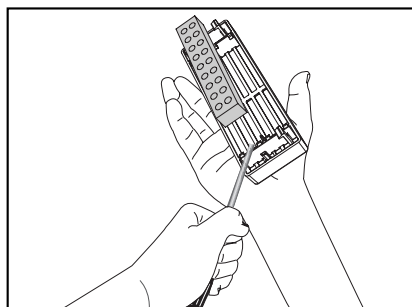
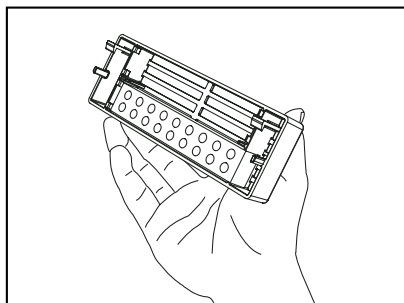
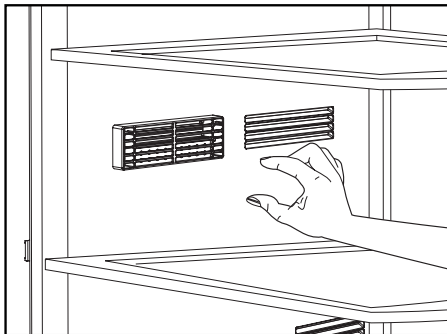
Γεμίστε τη θήκη για παγάκια με νερό και τοποθετήστε τη στη θέση της. Ο πάγος σας θα είναι έτοιμος σε περίπου δύο ώρες.

Μπορείτε να αφαιρέσετε εύκολα τα παγάκια σας στρίβοντας ελαφρά τη θήκη τους.



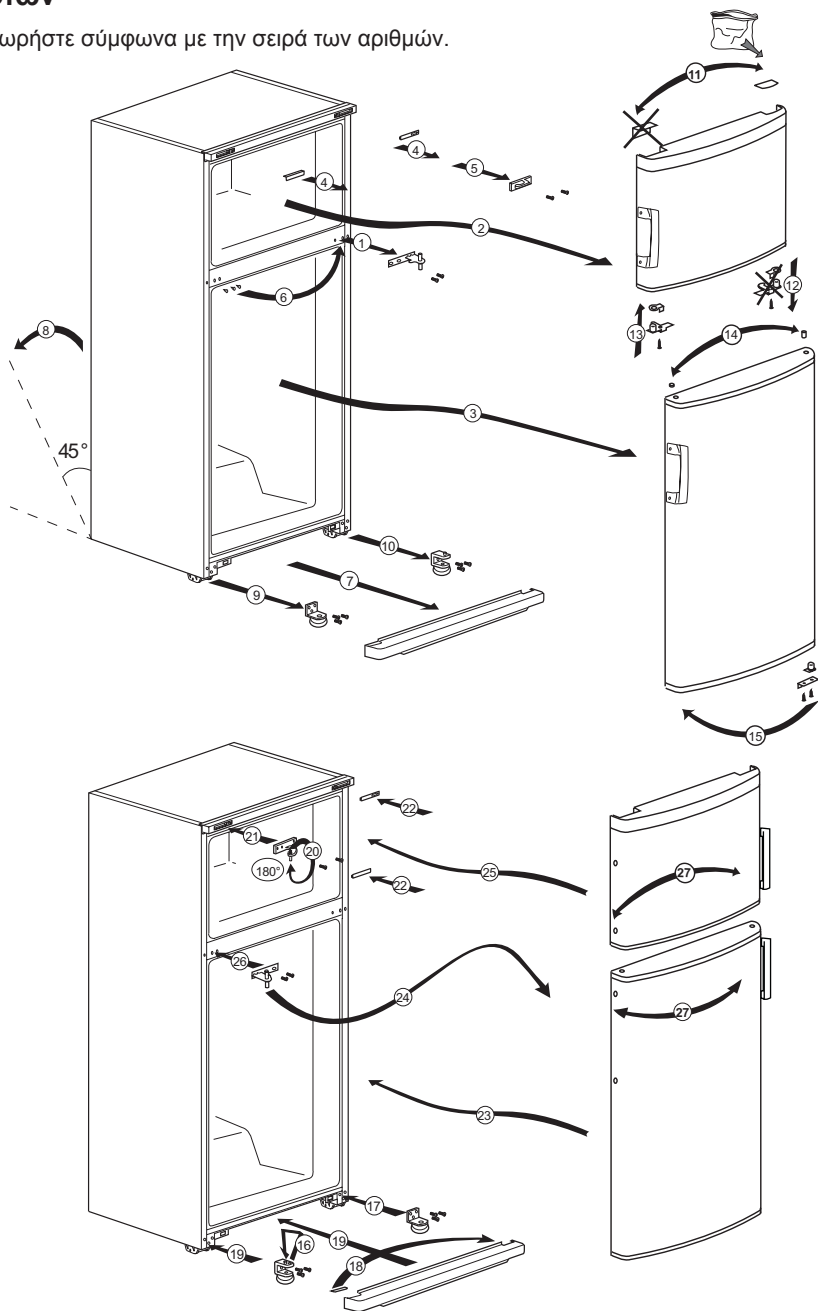
## Φίλτρο οσμών

Το φίλτρο οσμών στον αεραγωγό του χώρου συντήρησης εμποδίζει τη συσσώρευση δυσάρεστων οσμών στο εσωτερικό του ψυγείου.



# Αντιστροφή της φοράς ανοίγματος των πορτών

Προχωρήστε σύμφωνα με την σειρά των αριθμών.



## 6 Συντήρηση και καθαρισμός

- ⚠ Ποτέ μη χρησιμοποιήσετε βενζίνη, βενζόλιο ή παρόμοια υλικά για τον καθαρισμό.
- ⚠ Συνιστούμε να αποσυνδέετε τη συσκευή από την πρίζα πριν τον καθαρισμό.
- ⓘ Ποτέ μη χρησιμοποιείτε για τον καθαρισμό οποιοδήποτε αιχμηρό όργανο που χαράζει, σαπούνι, οικιακά καθαριστικά, απορρυπαντικά και γυαλιστικά κεριού.
- ⓘ Για να καθαρίσετε το περίβλημα του ψυγείου σας, χρησιμοποιήστε χλιαρό νερό και κατόπιν σκουπίστε το για να στεγνώσει.
- ⓘ Για να καθαρίσετε το εσωτερικό, χρησιμοποιήστε πανί που έχει υγρανθεί ελαφρά σε διάλυμα από μια κουταλιά του γλυκού μαγειρικής σόδας σε περίπου μισό λίτρο νερού. Κατόπιν σκουπίστε τις επιφάνειες για να στεγνώσουν.
- ⚠ Φροντίστε απαραίτητα να μην εισέλθει νερό στο περίβλημα της λάμπας και σε άλλα ηλεκτρικά εξαρτήματα.
- ⚠ Εάν το ψυγείο σας δεν πρόκειται να χρησιμοποιηθεί για μεγάλη χρονική περίοδο, αποσυνδέστε το καλώδιο ρεύματος από την πρίζα, αφαιρέστε όλα τα τρόφιμα, καθαρίστε το και αφήστε την πόρτα μισάνοιχτη.
- ⓘ Ελέγχετε τακτικά τις στεγανοποιήσεις στις πόρτες για να βεβαιωθείτε ότι είναι καθαρές και απαλλαγμένες από σωματίδια τροφίμων.
- ⓘ Για να αφαιρέσετε ένα ράφι πόρτας, αφαιρέστε όλα τα περιεχόμενα και κατόπιν απλά σπρώξτε το ράφι προς τα πάνω ώστε να βγει από τη βάση του.

### Προστασία των πλαστικών επιφανειών

- ⓘ Μην τοποθετείτε υγρά λάδια ή φαγητά μαγειρεμένα σε λάδι στο ψυγείο σας σε μη σφραγισμένα δοχεία, επειδή προξενούν βλάβες στις πλαστικές επιφάνειες του ψυγείου σας. Σε περίπτωση που χυθεί ή αλειφτεί λάδι στις πλαστικές επιφάνειες, αμέσως καθαρίστε και ξεπλύνετε το επηρεαζόμενο μέρος της επιφάνειας με χλιαρό νερό.

## 7 Συνιστώμενες λύσεις για προβλήματα

Παρακαλούμε συμβουλευτείτε τη λίστα πριν καλέσετε το σέρβις. Έτσι μπορείτε να εξοικονομήσετε χρόνο και χρήματα. Η λίστα αυτή περιλαμβάνει συχνά παράπονα που δεν είναι αποτέλεσμα ελαττωμάτων της κατασκευής ή των χρησιμοποιούμενων υλικών. Ορισμένες από τις δυνατότητες που περιγράφονται εδώ ίσως να μην υπάρχουν στη συσκευή σας.

<b>Το ψυγείο δεν λειτουργεί.</b>
<ul style="list-style-type: none"><li>• Έχει συνδεθεί το ψυγείο σωστά στο ρεύμα; Συνδέστε το φως στην πρίζα στον τοίχο.</li><li>• Μήπως έχει καεί η ασφάλεια της πρίζας στην οποία έχει συνδεθεί το ψυγείο ή η γενική ασφάλεια; Ελέγξτε την ασφάλεια.</li></ul>
<b>Συμπύκνωση στα πλευρικά τοιχώματα του χώρου συντήρησης. (MULTI ZONE, COOL CONTROL και FLEXI ZONE)</b>
<ul style="list-style-type: none"><li>• Πολύ χαμηλές θερμοκρασίες περιβάλλοντος. Συχνό άνοιγμα και κλείσιμο της πόρτας. Πολύ υψηλή υγρασία περιβάλλοντος. Αποθήκευση τροφίμων που περιέχουν υγρά σε ανοικτά δοχεία. Η πόρτα έχει ξεχαστεί μισάνοιχτη.</li><li>• Ρύθμιση του θερμοστάτη σε χαμηλότερη θερμοκρασία.</li><li>• Μείωση του χρόνου που μένει ανοικτή η πόρτα ή λιγότερο συχνή χρήση της.</li><li>• Κάλυψη με κατάλληλο υλικό του φαγητού που φυλάσσεται σε ανοικτά δοχεία.</li><li>• Σκουπίστε τη συμπυκνωμένη υγρασία με στεγνό πανί και ελέγξτε αν επιμένει.</li></ul>
<b>Ο συμπιεστής δεν λειτουργεί</b>
<ul style="list-style-type: none"><li>• Το προστατευτικό θερμικό του συμπιεστή θα ενεργοποιηθεί σε περίπτωση ξαφνικών διακοπών ρεύματος ή αν η συσκευή αποσυνδεθεί και συνδεθεί γρήγορα στο ρεύμα, όταν η πίεση του ψυκτικού μέσου στο σύστημα ψύξης του ψυγείου δεν έχει εξισορροπηθεί ακόμα.</li><li>• Η λειτουργία του ψυγείου σας θα αρχίσει πάλι μετά από 6 λεπτά. Παρακαλούμε καλέστε το σέρβις αν το ψυγείο σας δεν ξεκινήσει πάλι μετά το τέλος αυτού του χρονικού διαστήματος.</li><li>• Το ψυγείο βρίσκεται στον κύκλο απόψυξης. Αυτό είναι κανονικό για ψυγείο που δεν διαθέτει απόλυτα αυτόματη απόψυξη. Ο κύκλος απόψυξης λαμβάνει χώρα περιοδικά.</li><li>• Το ψυγείο δεν έχει συνδεθεί στην πρίζα. Βεβαιωθείτε ότι το φως έχει τοποθετηθεί σωστά στην πρίζα.</li><li>• Έχουν γίνει σωστά οι ρυθμίσεις θερμοκρασίας; Υπάρχει διακοπή ρεύματος. Καλέστε την εταιρία σας παροχής ηλεκτρισμού.</li></ul>

<p>Το ψυγείο ενεργοποιείται συχνά ή για πολλή ώρα.</p> <ul style="list-style-type: none"> <li>• Το νέο σας ψυγείο μπορεί να είναι πλατύτερο από το παλαιό. Αυτό είναι πολύ φυσιολογικό. Τα μεγάλα ψυγεία λειτουργούν για μεγαλύτερο χρονικό διάστημα.</li> <li>• Η θερμοκρασία του περιβάλλοντος χώρου είναι πολύ υψηλή. Αυτό είναι πολύ φυσιολογικό.</li> <li>• Το ψυγείο ίσως συνδέθηκε στην πρίζα πρόσφατα ή μπορεί να έχει φορτωθεί με πολλά τρόφιμα. Η πλήρης ψύξη του ψυγείου σας στη θερμοκρασία λειτουργίας μπορεί να διαρκέσει δύο ώρες επιπλέον.</li> <li>• Μπορεί πρόσφατα να τοποθετήθηκαν στο ψυγείο μεγάλες ποσότητες ζεστού φαγητού. Το πολύ ζεστό φαγητό προκαλεί λειτουργία του ψυγείου για περισσότερη ώρα έως ότου φθάσει την επιθυμητή θερμοκρασία φύλαξης των τροφίμων.</li> <li>• Ίσως να ανοίγονταν συχνά οι πόρτες ή να παρέμειναν μισάνοιχτες για μεγάλο χρονικό διάστημα. Ο θερμός αέρας που έχει εισέλθει στο ψυγείο προκαλεί τη λειτουργία του ψυγείου για μεγαλύτερες χρονικές περιόδους. Ανοίξτε τις πόρτες λιγότερο συχνά.</li> <li>• Η πόρτα του χώρου κατάψυξης ή συντήρησης μπορεί να έχει ξεχαστεί μισάνοιχτη. Ελέγξτε αν οι πόρτες έχουν κλείσει καλά.</li> <li>• Το ψυγείο έχει ρυθμιστεί σε πολύ χαμηλή θερμοκρασία. Ρυθμίστε τη θερμοκρασία του ψυγείου σε υψηλότερο επίπεδο και περιμένετε έως ότου επιτευχθεί αυτή η θερμοκρασία.</li> <li>• Η στεγανοποίηση πόρτας της συντήρησης ή κατάψυξης μπορεί να είναι λερωμένη, φθαρμένη, σπασμένη ή δεν εφαρμόζει καλά. Καθαρίστε ή αντικαταστήστε τη στεγανοποίηση. Αν υπάρχει ζημιά/ σπάσιμο στη στεγανοποίηση της πόρτας, μπορεί να προκληθεί λειτουργία του ψυγείου για μεγαλύτερες περιόδους για να διατηρείται η τρέχουσα θερμοκρασία.</li> </ul>
<p>Η θερμοκρασία της κατάψυξης είναι πολύ χαμηλή ενώ η θερμοκρασία της συντήρησης είναι επαρκής.</p>
<ul style="list-style-type: none"> <li>• Η θερμοκρασία του χώρου κατάψυξης έχει ρυθμιστεί σε πολύ χαμηλό επίπεδο. Ρυθμίστε τη θερμοκρασία του χώρου κατάψυξης σε υψηλότερο επίπεδο και ελέγξτε.</li> </ul>
<p>Η θερμοκρασία της συντήρησης είναι πολύ χαμηλή ενώ η θερμοκρασία της κατάψυξης είναι επαρκής.</p>
<ul style="list-style-type: none"> <li>• Η θερμοκρασία του χώρου συντήρησης έχει ρυθμιστεί σε πολύ χαμηλό επίπεδο. Ρυθμίστε τη θερμοκρασία του χώρου συντήρησης σε υψηλότερο επίπεδο και ελέγξτε.</li> </ul>
<p>Τα τρόφιμα στα συρτάρια της συντήρησης παγώνουν.</p>
<ul style="list-style-type: none"> <li>• Η θερμοκρασία του χώρου συντήρησης έχει ρυθμιστεί σε πολύ χαμηλό επίπεδο. Ρυθμίστε τη θερμοκρασία του χώρου συντήρησης σε υψηλότερο επίπεδο και ελέγξτε.</li> </ul>
<p>Η θερμοκρασία στη συντήρηση ή την κατάψυξη είναι πολύ υψηλή.</p>
<ul style="list-style-type: none"> <li>• Η θερμοκρασία της συντήρησης έχει ρυθμιστεί σε πολύ υψηλό επίπεδο. Η ρύθμιση της συντήρησης έχει επίδραση στη θερμοκρασία της κατάψυξης. Αλλάξτε τη θερμοκρασία της συντήρησης ή κατάψυξης έως ότου η θερμοκρασία της συντήρησης ή κατάψυξης φθάσει σε επαρκές επίπεδο.</li> <li>• Η πόρτα μπορεί να έχει μείνει μισάνοιχτη. Κλείστε καλά την πόρτα.</li> <li>• Μπορεί πρόσφατα να τοποθετήθηκαν στο ψυγείο μεγάλες ποσότητες ζεστού φαγητού. Περιμένετε έως ότου η συντήρηση ή η κατάψυξη φθάσει στην επιθυμητή θερμοκρασία.</li> <li>• Το ψυγείο μπορεί να έχει συνδεθεί στην πρίζα πρόσφατα. Η πλήρης ψύξη του ψυγείου απαιτεί χρόνο λόγω του μεγέθους του.</li> </ul>

Το ψυγείο παράγει θόρυβο παρόμοιο με το τικ-τακ αναλογικού ρολογιού.
<ul style="list-style-type: none"> <li>• Ο θόρυβος προέρχεται από την ηλεκτρομαγνητική βαλβίδα του ψυγείου. Ο σκοπός της ηλεκτρομαγνητικής βαλβίδας είναι η εξασφάλιση της διέλευσης ψυκτικού μέσου μέσα από το χώρο που μπορεί να ρυθμιστεί σε θερμοκρασίες ψύξης ή κατάψυξης, και η εκτέλεση των λειτουργιών ψύξης. Αυτό είναι φυσιολογικό και δεν αποτελεί ένδειξη δυσλειτουργίας.</li> </ul>
Ο θόρυβος λειτουργίας αυξάνεται όταν λειτουργεί το ψυγείο.
<ul style="list-style-type: none"> <li>• Τα χαρακτηριστικά λειτουργίας του ψυγείου μπορεί να διαφέρουν ανάλογα με τις μεταβολές της θερμοκρασίας περιβάλλοντος. Το φαινόμενο είναι φυσιολογικό και δεν αποτελεί ένδειξη δυσλειτουργίας.</li> </ul>
Κραδασμοί ή θόρυβος.
<ul style="list-style-type: none"> <li>• Το δάπεδο δεν είναι ομαλό ή δεν είναι ανθεκτικό. Το ψυγείο ταλαντεύεται όταν μετακινηθεί ελαφρά. Βεβαιωθείτε ότι το δάπεδο είναι οριζόντιο, ανθεκτικό και ικανό να φέρει το βάρος του ψυγείου.</li> <li>• Ο θόρυβος μπορεί να προκαλείται από αντικείμενα που έχουν τοποθετηθεί πάνω στο ψυγείο. Αυτά τα είδη πρέπει να απομακρυνθούν από τη συσκευή.</li> </ul>
Υπάρχουν θόρυβοι σαν ροής ή ψεκασμού υγρού.
<ul style="list-style-type: none"> <li>• Η ροή υγρών και αερίων είναι σύμφωνη με την αρχή λειτουργίας του ψυγείου σας. Το φαινόμενο είναι φυσιολογικό και δεν αποτελεί ένδειξη δυσλειτουργίας.</li> </ul>
Υπάρχει θόρυβος σαν ανέμου που φυσά.
<ul style="list-style-type: none"> <li>• Χρησιμοποιούνται συσκευές διακίνησης αέρα (ανεμιστήρες) για την αποτελεσματική ψύξη του ψυγείου. Το φαινόμενο είναι φυσιολογικό και δεν αποτελεί ένδειξη δυσλειτουργίας.</li> </ul>
Συμπύκνωση στα εσωτερικά τοιχώματα του ψυγείου.
<ul style="list-style-type: none"> <li>• Ο ζεστός και υγρός καιρός αυξάνει το σχηματισμό πάγου και συμπύκνωσης. Το φαινόμενο είναι φυσιολογικό και δεν αποτελεί ένδειξη δυσλειτουργίας.</li> <li>• Η πόρτες είναι μισάνοιχτες. Βεβαιωθείτε ότι οι πόρτες είναι τελείως κλειστές.</li> <li>• Ίσως να ανοίγονταν συχνά οι πόρτες ή να παρέμειναν ανοικτές για μεγάλο χρονικό διάστημα. Ανοίγετε την πόρτα λιγότερο συχνά.</li> </ul>
Εμφανίζεται υγρασία στο εξωτερικό του ψυγείου ή ανάμεσα στις πόρτες.
<ul style="list-style-type: none"> <li>• Ο καιρός μπορεί να είναι υγρός. Αυτό είναι πολύ φυσιολογικό σε περίπτωση υγρού καιρού. Όταν η υγρασία είναι μικρότερη, η συμπύκνωση θα πάψει να εμφανίζεται.</li> </ul>
Κακοσμία στο εσωτερικό του ψυγείου.
<ul style="list-style-type: none"> <li>• Το εσωτερικό του ψυγείου πρέπει να καθαριστεί. Καθαρίστε το εσωτερικό του ψυγείου, με ένα σφουγγάρι, χλιαρό νερό ή διάλυμα μαγειρικής σόδας σε νερό.</li> <li>• Ίσως η οσμή να προκαλείται από ορισμένα δοχεία ή υλικά συσκευασίας. Χρησιμοποιήστε διαφορετικό δοχείο ή διαφορετική μάρκα υλικού συσκευασίας.</li> </ul>
Η (Οι) πόρτα(-ες) δεν κλείνει(-ουν).
<ul style="list-style-type: none"> <li>• Συσκευασίες τροφίμων ίσως να εμποδίζουν το κλείσιμο της πόρτας. Μετατοπίστε τις συσκευασίες που εμποδίζουν την πόρτα.</li> <li>• Το ψυγείο πιθανόν να μην είναι εντελώς κατακόρυφο στο δάπεδο και μπορεί να ταλαντεύεται όταν σπρωχτεί ελαφρά. Ρυθμίστε τις βίδες ανύψωσης.</li> <li>• Το δάπεδο δεν είναι επίπεδο ή δεν είναι ανθεκτικό. Βεβαιωθείτε ότι το δάπεδο είναι οριζόντιο και ικανό να φέρει το βάρος του ψυγείου.</li> </ul>
Τα συρτάρια λαχανικών έχουν κολλήσει.
<ul style="list-style-type: none"> <li>• Τα τρόφιμα μπορεί να αγγίζουν την οροφή του συρταριού. Ανακαταθέμετε τα τρόφιμα στο συρτάρι.</li> </ul>

