



WAT Motor
Sanayi ve Ticaret A.Ş.



Three Phase Squirrel Cage Induction Motor

Motor type Q2HS132S2B40

Electrical Data

RATED VALUES						STARTING VALUES				BREAKDOWN	EFFICIENCY			EFFICIENCY CLASS		
VOLTAGE	POWER		SPEED	CURRENT		TORQUE	Cos φ		CURRENT		TORQUE	%	EFFICIENCY			IEC 60034-30-1
	V	kW	Hz	rpm	A	Nm	4/4	Y	D	Y	D		Mk/ Mn	4/4	3/4	
400/690	5,5	50	2915	10,6/6,1	18,04	0,86	4,0	11,93	1,5	4,44	5,3	IE2-87,0%	87,1	84,9	IE2	
460/795	6,33	60	3510	10,25/5,9	17,21	0,87	3,9	11,57	1,4	4,22	5,1	-	-	-		

Mechanical Data

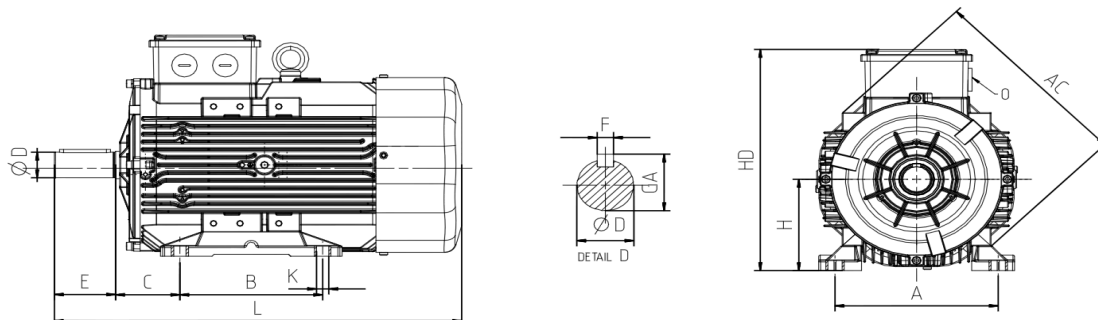
Bearing DE	6208-ZZ	Color	RAL 6011
Bearing NDE	6206-ZZ	Motor protection	No
Lubricants	Shell Gadus S2 V100Q2	Method of cooling	IC 411
Condensation drain hole	No	Terminal box position	Top
External earthing terminal	Yes	Material of terminal box	Aluminium
Vibration class	A	Terminal plate thread	M5
Insulation Class	F	Cable gland	1xM25
Duty type	S1	Clamping range	18-25 mm
Direction of rotation	Clockwise	Mounting type	IM 1001 (B3)
Housing material	Aluminium		
Type of balancing	Half Key		

Environmental Data

Others

Ambient Temperature	-20 / + 40 °C	Type of protection	IP 55
Altitude above sea level	1000 m	Sound Pressure Level 50/60Hz	69/72
		Inertia moment (kg.mm ²)	0,0070346
		Standard	IEC 60034-1
		Weighth (Kg)	33,5

Dimensions



Main Dimensions		Foot Mounted Motors					Shaft					Flange Mounted Motors			
AC	L	B	A	H	HD	K	C	D	E	GA	F	P	N	M	S
210	422	140-178	216	132	283	12	89	38	80	41	10	-	-	-	-