



WAT Motor
Sanayi ve Ticaret A.Ş.



Three Phase Squirrel Cage Induction Motor

Motor type Q2HS90L4C40

Electrical Data

RATED VALUES						STARTING VALUES				BREAKDOWN	EFFICIENCY			EFFICIENCY CLASS	
VOLTAGE	POWER		SPEED	CURRENT		TORQUE	Cos φ		CURRENT		TORQUE	%			IEC 60034-30-1
	V	kW	Hz	rpm	A	Nm	4/4	Y	D	Y	D	Mk/ Mn	4/4	3/4	
230/400	1,5	50	1427	5,8/3,34	10,04	0,79	6,4	-	2,5	-	3,1	IE2-82,8%	84,2	83,7	IE2
265/460	1,73	60	1733	5,2/3,0	9,50	0,73	6,2	-	2,4	-	3,0	-	-	-	

Mechanical Data

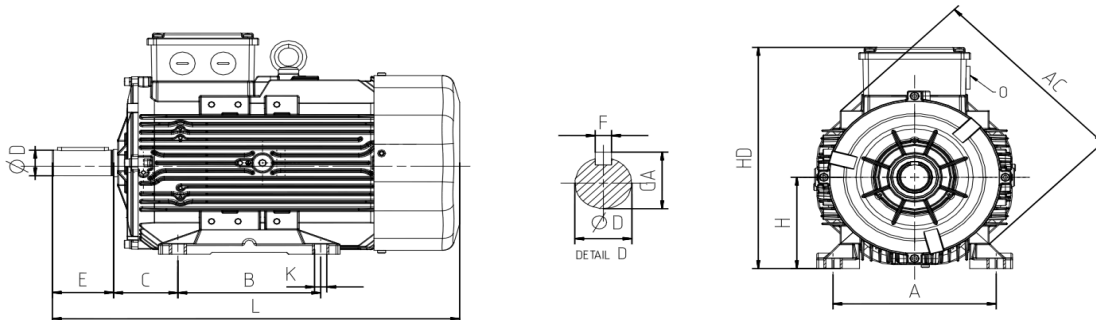
Bearing DE	6305-ZZ	Color	RAL 6011
Bearing NDE	6204-ZZ	Motor protection	No
Lubricants	Shell Gadus S2 V100Q2	Method of cooling	IC 411
Condensation drain hole	No	Terminal box position	Top
External earthing terminal	Yes	Material of terminal box	Aluminium
Vibration class	A	Terminal plate thread	M4
Insulation Class	F	Cable gland	1xM25
Duty type	S1	Clamping range	13-18 mm
Direction of rotation	Clockwise	Mounting type	IM 1001 (B3)
Housing material	Aluminium		
Type of balancing	Half Key		

Environmental Data

Others

Ambient Temperature	-20 / + 40 °C	Type of protection	IP 55
Altitude above sea level	1000 m	Sound Pressure Level 50/60Hz	dBA 54/57
		Inertia moment (kg.mm ²)	0,0032792
		Standard	IEC 60034-1
		Weighth (Kg)	14,3

Dimensions



Main Dimensions		Foot Mounted Motors					Shaft					Flange Mounted Motors			
AC	L	B	A	H	HD	K	C	D	E	GA	F	P	N	M	S
158	303	100-125	140	90	212,5	10	56	24	50	27	8	-	-	-	-