



*Dishwasher
Instruction Manual*

62191 / TechTouch

Dear customer,

Please read carefully right through this instruction booklet before installing or operating your dishwasher. The following instructions should prevent the risk of personal injury and/or damage to the appliance.

Please keep these documents in a safe place for later reference.

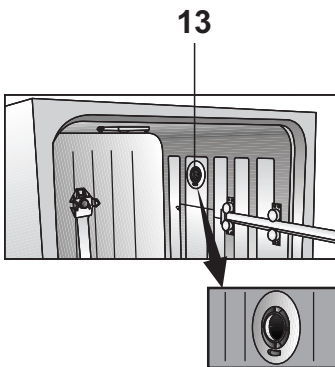
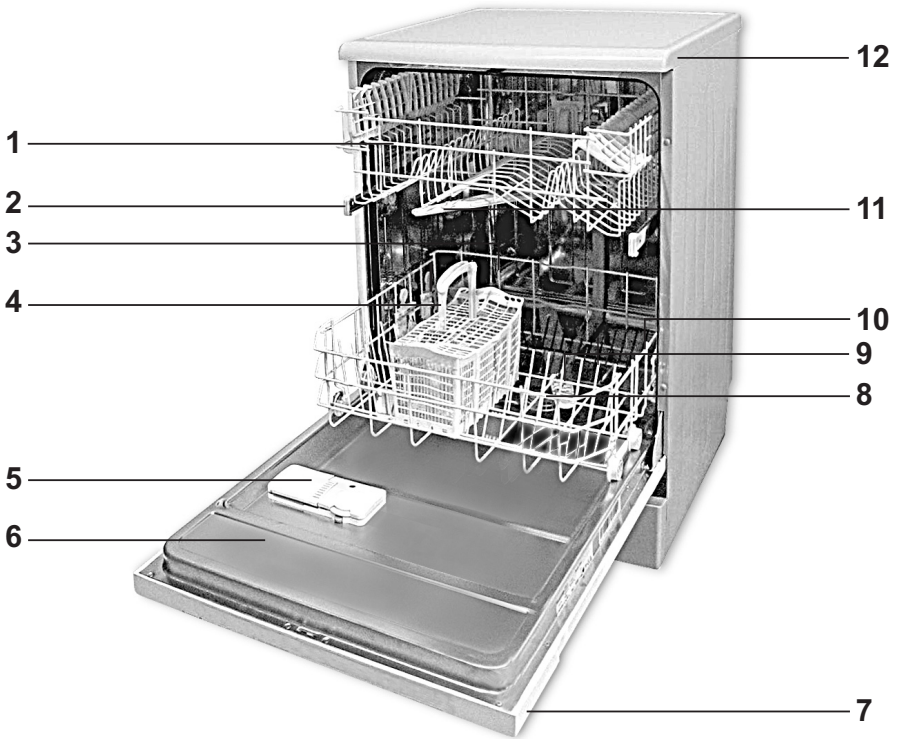
This operating manual has been written for several different machines, and some of the features mentioned here may not apply to your particular model.

TABLE OF CONTENTS

1 Getting To Know Your Machine	3	5 Starting Your Machine	21
View of the Machine	3	Language Selection	21
2 Safety Instructions	4	Selecting the Reference Program	22
Before Installation	4	Key Lock	23
Before First Use	4	Stopping the machine	23
Child Safety	4	Canceling a program	24
Technical Specifications	4	Program Step Follow-up	24
For daily operation	5	Warning Messages	26
Problems	5	Program Data and Average Consumption Values Table	27
What should not be washed in your dishwasher	5	6 How to clean your dishwasher	28
3 Directions for Assembly	6	Cleaning the filters	28
Safety notes for installation	6	Cleaning the spray arms	29
Installing Your Dishwasher	6	7 Troubleshooting:	30
Water connection	7	What to do if the dishwasher will not run	30
Connect water inlet hose	7	The cleaning results are unsatisfactory	30
Water drainage	8	Service	36
Electrical connection	8		
Disposal	8		
4 Using Your Dishwasher	9		
Filling the dishwasher salt	9		
When operating for the first time:	10		
Filling the Rinse Aid Dispenser	11		
Filling the Detergent Dispenser	11		
Detergent	12		
Multipurpose Detergents	12		
Loading the dishwasher	13		
Suggestions for loading the dishwasher	14		
Loading suggestions	18		

1 Getting To Know Your Machine

View of the Machine



1. Upper dish basket with shelf
2. Guide rail for the upper dish basket
3. Salt container
4. Cutlery basket
5. Detergent dispenser
6. Door
7. Control panel
8. Filters
9. Lower sprayer arm
10. Lower basket
11. Upper sprayer arm
12. Housing (depends on the model)
13. Turbo fan heat drying system (depends on the model)

Technical Specifications

Permitted water pressure: 0,3 –10 bar (= 3 – 100 N/cm² = 0,01-1,0Mpa)

Electrical connection: 220-240 Volts, 10 Amps (see type plate)

Output: 1900-2200 W

Heat output: 1800 W

This device corresponds to the following EU directives:

2006/95/EC: Low Voltage Directive

2004/108/EC: EMV Directive

DIN EN 50242: Electrical dishwasher for home use Testing procedures for practical service conditions

Because we continually strive to improve our products, we may change

our specifications and designs without prior notice.

Note for Testing Institutes

The necessary information for performance testing will be provided upon request. The request can be done by e-mail through:

dishwasher@standardloading.com

Please do not forget to write the model code and stock code information of the appliance besides your contact information in the e-mail. The model code and stock code information can be found on the rating label, which is placed on the side of the door.

2 Safety Instructions

Before Installation

Check the appliance for transit damage. Never install or use damaged machines. If in doubt, contact your supplier.

Before First Use

- See Notes for Installation on page 6.
- Have the grounding system installed by a qualified electrician. The manufacturer cannot be held liable for any damage caused by operating the appliance without proper grounding.
- Before operating the system, please check that the information on the type plate corresponds to the information on your power supply.
- The dishwasher must be

disconnected from the mains during installation.

- The appliance must not be connected to the mains using an extension cable. Extension cables do not provide the necessary safety (e.g. danger of overheating).
- Always use the original plug delivered with the appliance.
- The plug must be freely accessible after the appliance has been installed.

Child Safety

- Do not allow children to play with the appliance.
- Dishwasher detergents are caustic and may cause injury to the eyes, mouth and throat. Please note the safety instructions provided by the

- manufacturers of the detergents.
- Never leave children unsupervised while the appliance is open, as the appliance may still contain detergent leftovers.
- The water in the dishwasher is not drinking water. Danger of caustic injuries.
- Always place long and sharp/pointed objects (e.g. serving forks, bread knives) into the cutlery basket with the pointed end down or flat on the upper basket to avoid possible injuries.

For daily operation

- Use your appliance only for the following domestic uses: Washing household dishes.
- Do not use chemical solvents in the appliance; there is a danger of explosion.
- Do not sit or stand on the opened door or place other objects on it. The appliance may tip over.
- Do not open the door while the appliance is running, as hot water or steam may escape.
- Do not leave the door open – an open door can be a hazard.

Problems

- Repairs and modifications to the appliance may only be carried out by qualified customer service personnel.
- In the event of a problem, or before performing a repair, disconnect the appliance from the mains supply:
 - disconnect the appliance by pulling out the mains plug
 - shut off the power.
- Do not pull on the cable – pull on

the plug. Turn off the water supply tap.

What should not be washed in your dishwasher

- Rust sensitive steel parts
- Cutlery with wooden or horn handles
- Cutlery with mother of pearl or porcelain handles
- Non heat resistant plastic parts
- No glued dish or cutlery parts
- No items made out of copper, tin or aluminium
- Sensitive decorative glasses and porcelain parts
- Lead crystal glasses
- Art and crafted articles
- Aluminium and silver tend to discolour
- Glass and crystal articles may lose their shine over time
- Sponges and dishcloths

Note

Do not wash items soiled with cigarette ash, candle wax, varnish, paints or chemicals.

Recommendation:

When buying new dishes, note whether they are suitable for the dishwasher. (marked as dishwasher proof)

3 Directions for Assembly

Safety notes for installation

Prior to installing and using your appliance, please check it for possible transit damage.

If the appliance is damaged, please contact your supplier.

Never install or use a damaged appliance.

The following directions must be followed to connect the dishwasher properly.

- Before operating your dishwasher, please ensure that the information on the type plate corresponds to the current and voltage of your power supply.
- The appliance may only be connected using a properly grounded socket. Ensure that the appliance is grounded according to regulations.
- The grounded socket must be easily accessible and close to the appliance.
- Do not use extension cables or multiple adapters, as this can lead to overheating, which can be a fire hazard.
- Hardwiring may only be carried out by a qualified electrician.
- Check the power cable, the water inlet hose and the drainage hose. Damaged parts may only be replaced by customer service personnel or by a qualified electrical service expert.

Installing Your Dishwasher

- Choose a suitable location for your dishwasher. Take care to ensure that the appliance is stable on a level surface.
- Unevenness in the floor can be equalised by adjusting the screw feet. When the appliance is standing correctly, the door can be closed without difficulty.
- Water inlet and drainage hoses must be positioned so that they can move freely without bending or squeezing.
- The appliance may not be installed in a room where the temperature is below 0° Celsius.

Water connection

- There are two different types of water inlet hoses:
 - Cold water inlet hose (up to 25°C)
 - Hot water inlet hose (up to 60°C) please check which one is applicable to your model.

If you are willing to connect your machine to natural energy resources or to the central hot water supply, first check out whether your water inlet hose type is suitable by checking the temperature values written on the hose. If your hose is not suitable, apply to your authorized service to change the hose.

- The dishwasher may not be connected to open warm water devices or flow-through water heaters.

Permitted water pressure:

Lowest permitted water pressure: 0.3 bars = 3 N/cm² = 30 kPa

When the water pressure is below 1 bar, please contact your technician.

Highest permitted water pressure: 10 bar = 100N/cm² = 1Mpa

When the water pressure is above 10 bars, a pressure reduction valve must be installed (available in trade supply stores).

Connect water inlet hose

Ensure that the water inlet hose is not bent or squeezed. Do not install a used hose set.

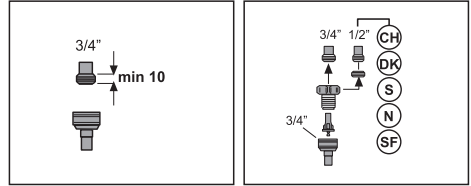
Use a screw-on hose connector to connect the water inlet hose to a water

tap with a 3/4 inch external thread. If required, use a filter insert to filter deposits from the pipes.

Check that the connection does not leak.

Important

For safety reasons, turn off the tap after every rinse process.



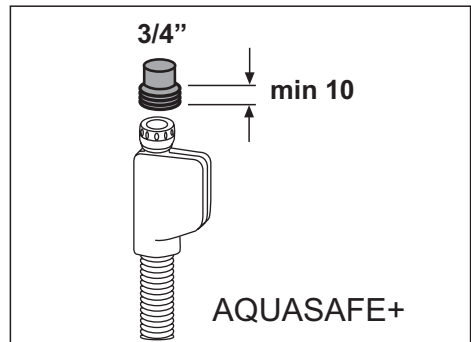
AQUASAFE+ (some models)

The Aquasafe+ System protects against water damage which may be caused at the water inlet hose.

Do not immerse the system's valve box into water; it contains electrical components.

In case of damage, pull out the power supply plug.

Do not shorten or lengthen the hose insert as it contains electrical cables and components.

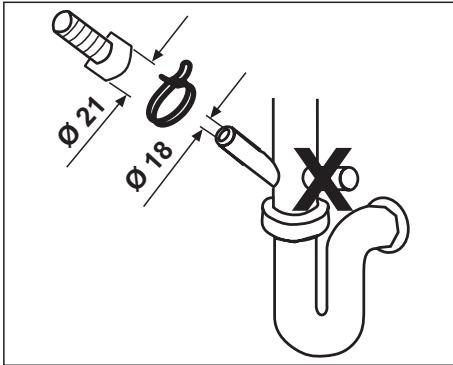
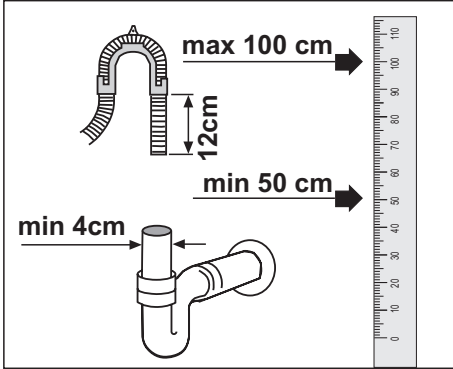


Water drainage

Connecting the drainage hose.

Take care to ensure that the drainage hose is not bent or squeezed.

Check that the drainage hose is firmly seated.



Extension hoses

If a hose extension is required, a drainage hose of equal quality must be used.

The maximum length must not exceed 4m. Using a longer hose will produce poorer cleaning results.

Siphon connection

The drainage height must be between 50 and 100cm above the floor.

Use hose clamps to fasten the drainage hose to the siphon.

Electrical connection

Please refer to the type plate for information on current type, mains voltage, and fuse protection.

The type plate is located on the inside of the door.

The mains plug must be freely accessible after installation.

Power cables and insulated cables must not be accessible (exposed) after installation.

Disposal Packaging

The packaging and some parts of your appliance are made from recyclable materials. These materials are marked with the recycling symbol and the relevant material type (PE, PS, POM).

Before operating your appliance, remove the packaging material and dispose of it in accordance with regulations.

Warning

Packaging materials may be dangerous to children. Reusable substances may be dropped off at your local disposal facilities. You may obtain further information from your local authorities and disposal facilities.



Used appliances – Environmental notice

This product must not be disposed of with your regular household waste.

Instead, you need to dispose of the waste equipment by handing it over to a designated collection point for the recycling of waste electrical and electronic equipment. This is indicated by a symbol to be found on

the product, its packaging or in the manual.

Materials used are recyclable according to their labelling. Reuse, recycling of materials and further reutilization of used products are important contributions to protect our environment.

Please ask your local town council for the nearest collection point.

To avoid possible dangers, disable your waste appliance prior to discarding it. Pull the mains plug and cut the power cord. Disable any door locks.

4 Using Your Dishwasher

Important

The electricity and water connections of the dishwasher must be in compliance with the instructions in this booklet.

Filling the dishwasher salt

Important

Only use special dishwasher salt in your appliance. The manufacturer is not liable for damage resulting from the use of the wrong type of salt.

Do not use coarse-grained salt. Small grains or powdered salt is more easily soluble. Never use culinary or table salt. These types of salt do not dissolve

in water easily and will damage the softening device.

Remove the lower basket from the appliance.

Open the screw-in cap of the salt container by turning it counter clockwise (fig. **A,B**).

When operating for the first time:

Pour 1 litre of water into the salt container (Fig. C).

Pour the salt into the container with the aid of the salt funnel provided (Fig. D).

Pour in enough salt to fill the container. The container holds approx. 2 kg.

To speed up the rate of dissolution of salt in water, stir it with a spoon.

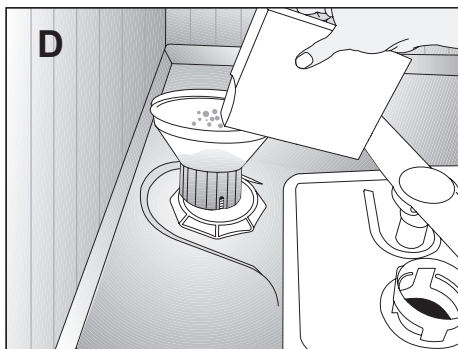
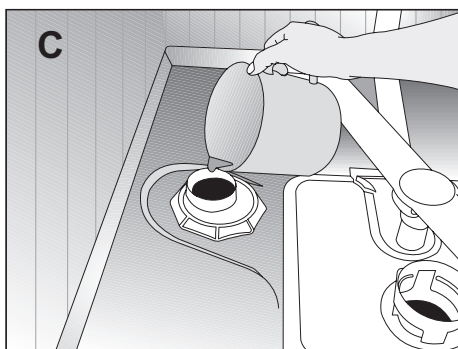
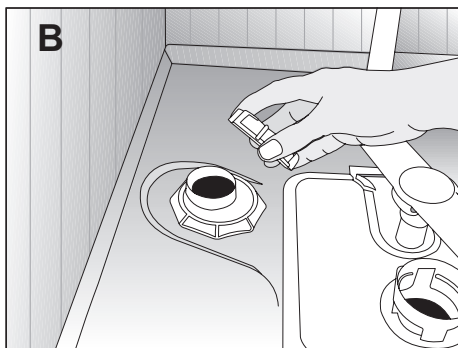
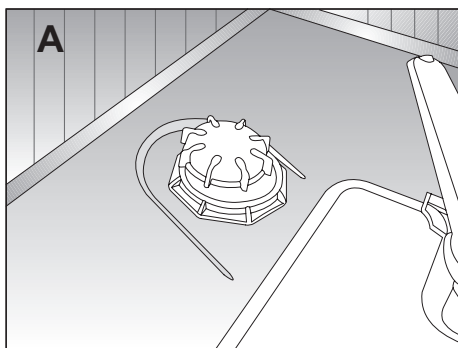
Close the cap tightly.

Begin a washing program immediately after filling the salt container. The washing program prevents damage to the appliance which may be caused by any spilled salt solution. After the first washing cycle, the salt level indicator light will go out.

Important

Depending on the particle sizes of different salt brands in the market, tablet properties and water hardness, dissolution of the salt in water may take a couple of hours.

So, the salt indicator continues lighting for a while after filling salt into the machine. (For models with a salt indicator)



Filling the Rinse Aid Dispenser

Rinse aids allow washing water to rinse off more cleanly and prevent watermarks or streaks on the dishes. Only use rinse aid designed for use in dishwashers.

Note

If you use “2 in 1” or “3 in 1” detergents / tablets, you do not need an additional rinse aid.

Open the rinse aid dispenser by pressing the locking lever (**B**)

Carefully pour in rinse aid to the MAX mark. Close the lid until it clicks (**3**).

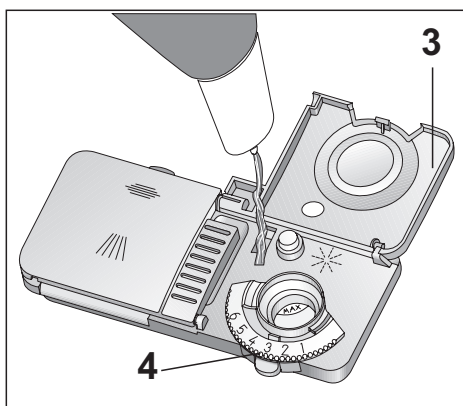
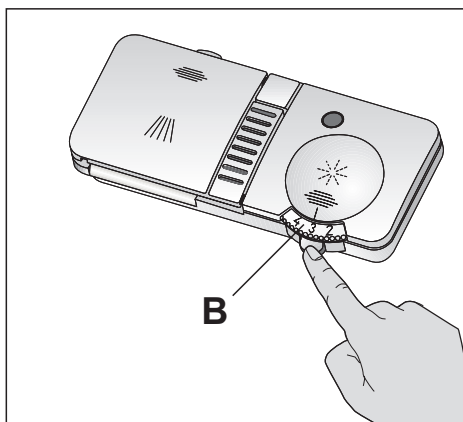
Carefully wipe off spilled rinse aid. Excessive rinse aid causes excessive foam formation, which may hinder cleaning.

Set the dose of rinse aid

The dose of rinse aid to be used can be set by means of the dispenser regulator (between levels 1 and 6) (**4**). Your appliance is pre-set at the factory to level 3.

Only change the setting if the following applies after washing:

- Watermarks are visible on the dishes: Set dosage higher
- Streaks are visible on the dishes: Set dosage lower



Filling the Detergent Dispenser

Note

Only use detergents formulated for use in dishwashers.

Open the detergent container by pushing the locking lever to the right (**A**).

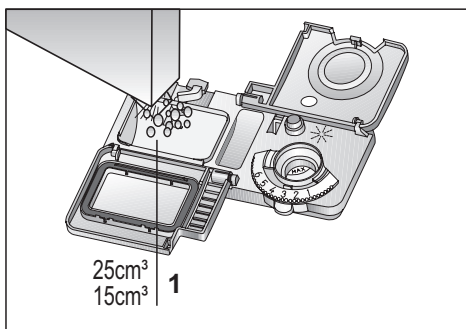
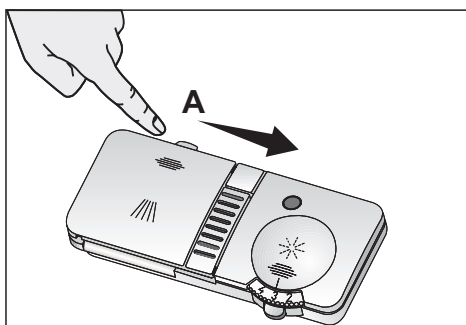
The lines on the inside of the detergent container will help you measure the correct amount of detergent.

The detergent container holds a total of 40 cm³ of detergent (**1**).

When the dishwasher is fully loaded and the dishes are very dirty, we recommend filling the detergent container up to the 25 cm³ mark. When the dishes are less dirty, it is generally sufficient to fill the detergent up to the 15 cm³ mark. If you are using tablet detergent one tablet is enough.

Important

Put the detergent into the detergent dispenser and make sure lid is closed firmly.



Detergent

Please use detergents produced specially for the dishwashers in your machine.

Keep the opened detergent packages in a cool and dry place where children can not reach.

Put the detergent into the detergent dispenser just before operating the machine.

Please contact the manufacturer to get detailed information about the detergent you are using.

Excessive usage of powder detergents can cause the detergent not dissolve completely and can also cause scratches on the glassware.

Multipurpose Detergents

The best washing results in dishwashers is obtained by using detergent, rinse aid and water softening salt individually.

New products of the detergent producers what they call as "Multipurpose Detergent" can act as water softening salt and/or rinse aid in addition to acting as a detergent. Some types of these detergents can also contain special-purpose washing chemicals such as glass and stainless steel protectors.

Multipurpose detergents commonly found in the market:

2in1: Those contain detergent, rinse aid or water softening salt.

3in1: Those contain detergent, rinse

aid and water softening salt.

4in1: Those containing glass protectors in addition to detergent, rinse aid and water softening salt.

5in1: Those containing glass and stainless steel protectors in addition to detergent, rinse aid and water softening salt.

Multipurpose detergents give satisfying results only under certain usage conditions. Observe the instructions of the detergent manufacturer on the package when using such detergents.

Contact the detergent producer if your dishes are wet and/or if you notice lime spots particularly on your glasses after the washing program is over.

When you give up using such detergents:

Make sure that salt and rinse aid compartments are full.

Set the water hardness to its highest degree and perform an empty run.

After the empty washing review the user manual and readjust the water hardness level so as to suit your water supply.

Make the appropriate rinse aid settings.

Depending on the model, salt indicator and/or rinse aid indicator should be enabled again if they are disabled before.

Loading the dishwasher

General:

Before you load the dishwasher with dishes

- Remove coarse food leftovers
- Place all containers such as cups, glasses and pots into the machine with the opening facing downwards (so that no water can collect)
- Dishes and cutlery may not be placed above each other
- Glasses may not touch
- The movement of the spray arms must not be hindered
- Place all large and very dirty items in the lower basket.
- Small and light items can go into the upper basket.
- Long and narrow items are placed in the middle of the baskets.

Attention

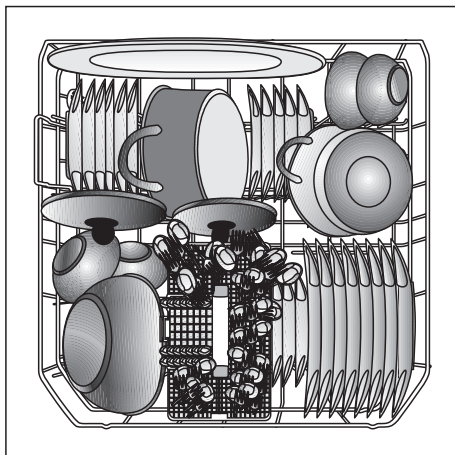
Knives and other utensils with sharp tips and edges must be placed horizontally into the upper basket due to risk of injury.

Please do not overload your dishwasher and pay attention to the notes regarding dishes which are suited to the dishwasher.

Only in this manner will you obtain optimal washing results with a sensible use of energy.

Suggestions for loading the dishwasher

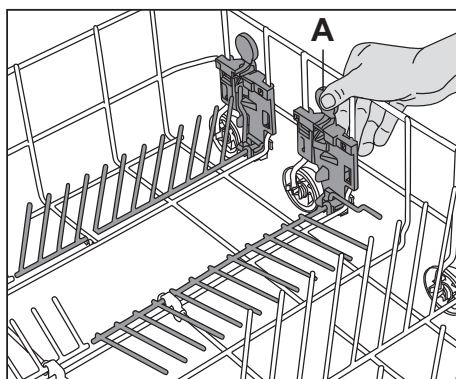
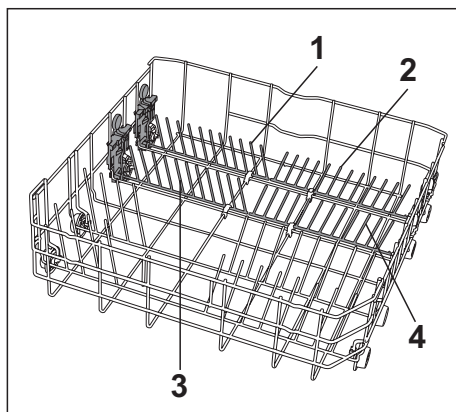
Use the lower basket for plates, bowls, pots etc.



4 folding plate support rods (depending on the model)

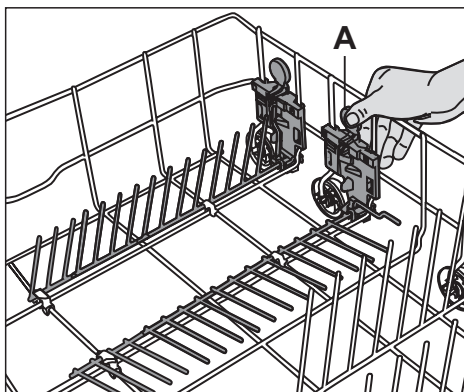
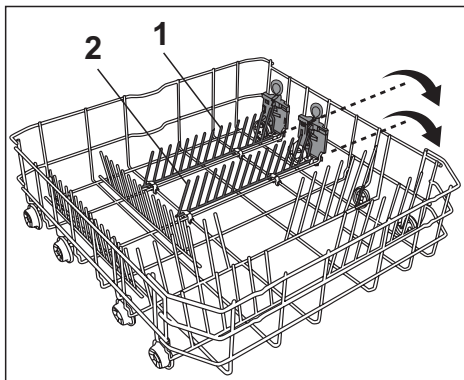
There are four separate “folding plate support rods” in the lower basket of your dishwasher designed to allow you more space to accommodate saucepans and large bowls in the lower basket. You can either fold each section (1, 2, 3, 4) individually or, all at once, to create a large empty space.

Simply press the handgrips (A) and fold them down”



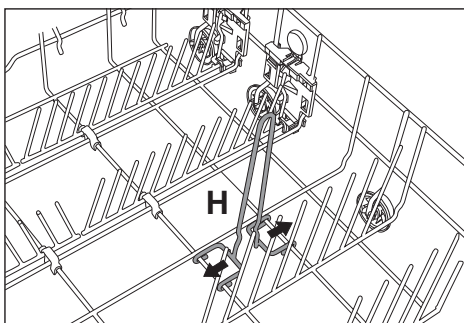
2 folding plate support rods (depending on the model)

There are four separate “folding plate support rods” in the lower basket of your dishwasher designed to allow you more space to accommodate saucepans and large bowls in the lower basket. You can either fold each section (1, 2) individually or, all at once, to create a large empty space. Simply press the handgrips (A) and fold them down”



Bottle holder (depends on some models)

For cleaning your bottles. To remove, pull the holders apart in opposite directions (H).



Variable cutlery basket (depending on the model)

The variable cutlery basket can be separated into 3 parts depending on the amount of cutlery and the degree of dirtiness.

Small cutlery basket sections also fit into the upper basket.

To do this, turn the lock on the handle to the right (A).

Pull the smaller cutlery basket upwards and out of its holders (B).

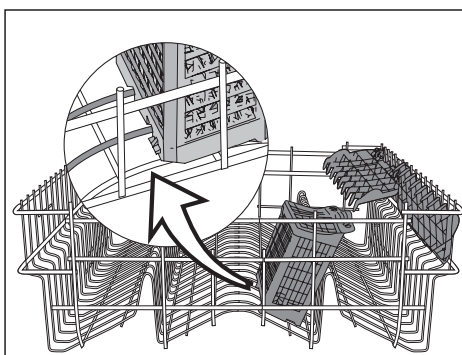
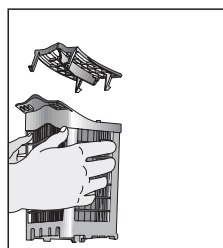
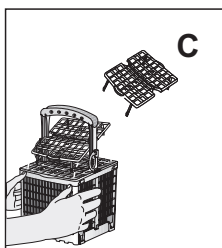
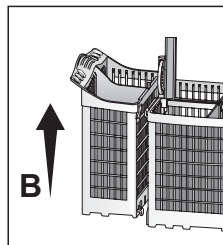
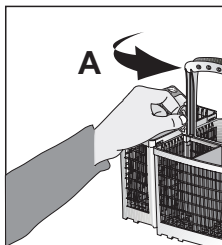
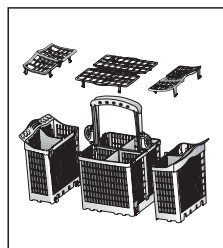
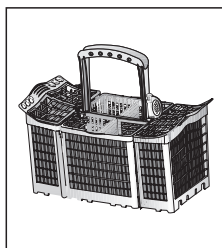
To put the parts together again, proceed in the opposite direction.

Use the basket inset (C) for your cutlery so that all items in the basket are surrounded by a sufficient water flow.

For larger items (e.g. wire whisks), the basket inset may be removed (C).

To make loading easier, the cutlery basket can be removed.

Place long items such as ladles, cooking spoons etc. on the rack in the upper basket.



Basket insert with variable height settings (depending on some models)

You can also use this insert in the lower basket for glasses and long-handled cutlery / utensils.

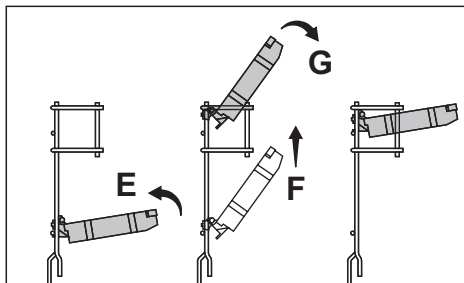
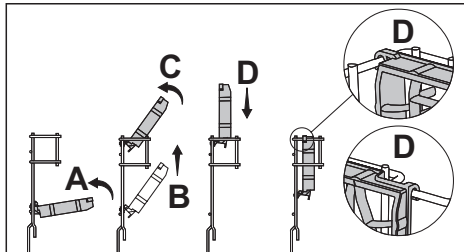
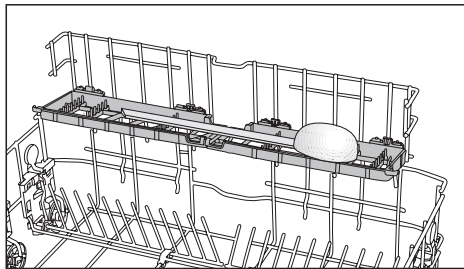
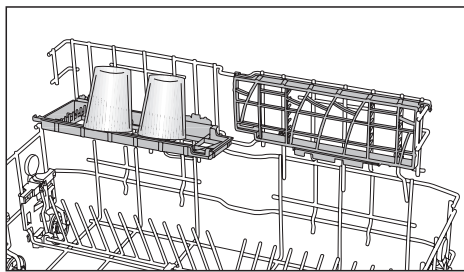
If you do not need the insert, fold the rack upwards at the angle shown (A).

Push the entire insert upwards (B). Place the insert in the upright position (C). Push the insert downwards and lock it into place with the holder (D).

When you want to use the basket again, reverse the procedure.

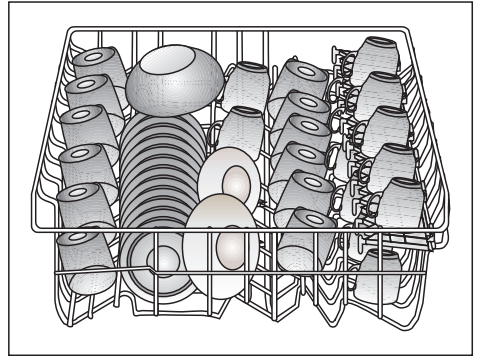
To set the height, push the rack upwards and fold it open in position (G).

When finished, check that the sprayer arm can still move freely.



Loading suggestions

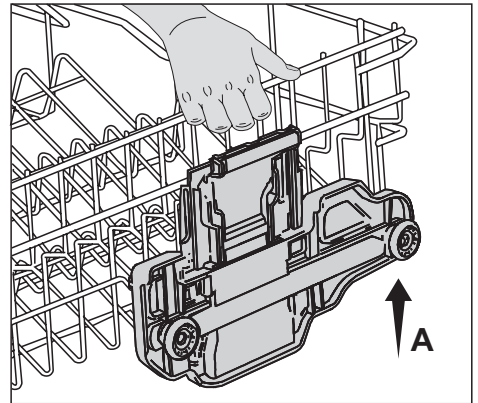
Load the upper basket with dessert plates, cups, glasses etc.



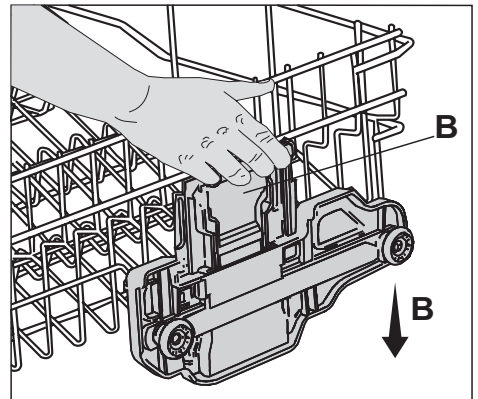
Upper basket with variable height setting (depends on some models)

The upper basket is equipped with a lifting mechanism which enables you to change the height of the basket without having to remove it from the dishwasher, even if it is fully loaded.

The height of the upper basket was set to its lowest position at the factory. To lift the upper basket to the “high” (A) position, hold it on one side and carefully pull it upwards. To lift the opposite side of the basket, hold it and pull it upwards in the same manner (A).



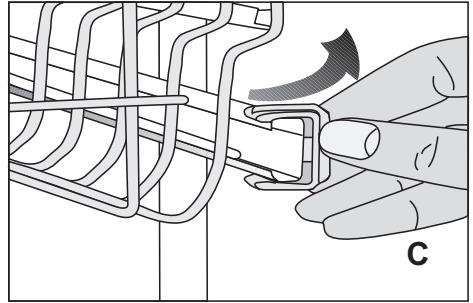
To lower the upper basket, hold the basket lever on one side and carefully lower the basket without releasing the lever (B). Repeat the procedure with the lever on the opposite side of the basket. Make sure that both levers catch at the same height.



Height setting with empty basket (depends on the model)

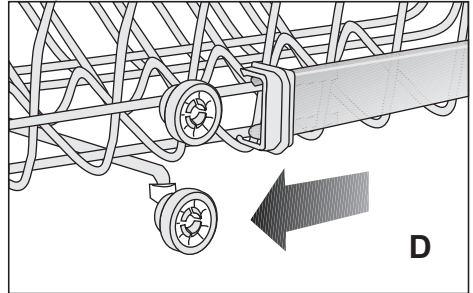
In this model, the height setting of the upper basket may be changed using the wheels which are mounted at two different heights.

Release the latches on both the right and left tracks of the upper basket by pushing them outwards (C).

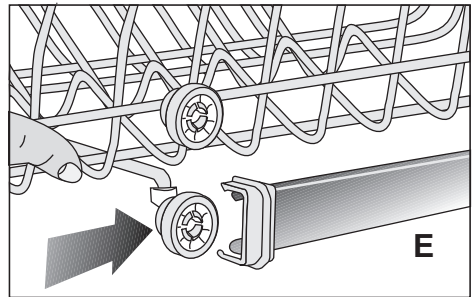


Pull out the basket out completely (D).

Place the basket back into the tracks at the desired height (E).



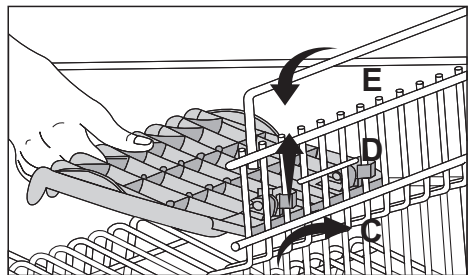
Push the latches back into the correct position.



Rack

(depends on the model)

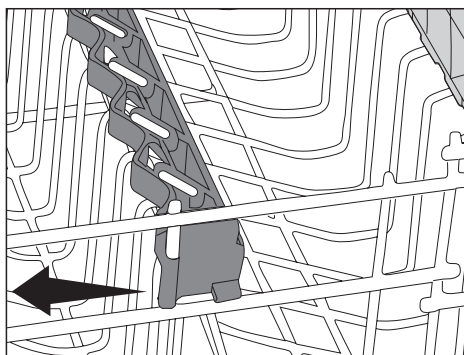
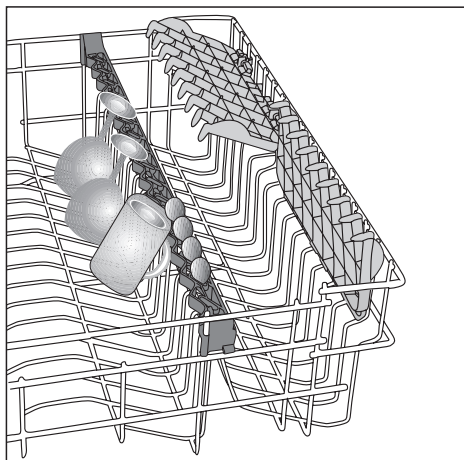
Depending on the size of the glasses and cups, the rack height setting may be adjusted (C, D, E).



Glass Support (depends on the model)

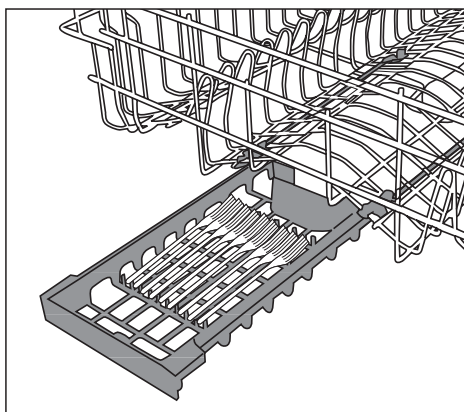
When placing the glasses or goblets with a long grip, lean them against the glass support, the edge of the basket or the shelf but not against the other pieces. Do not lean the long glasses against each other, otherwise they do not remain stable during washing cycle and may get damaged.

When you need to place the bulky pieces into the upper basket, disconnect the lug of the glass support from the bar of the basket where it is attached to. Thus, you will acquire a wider place.

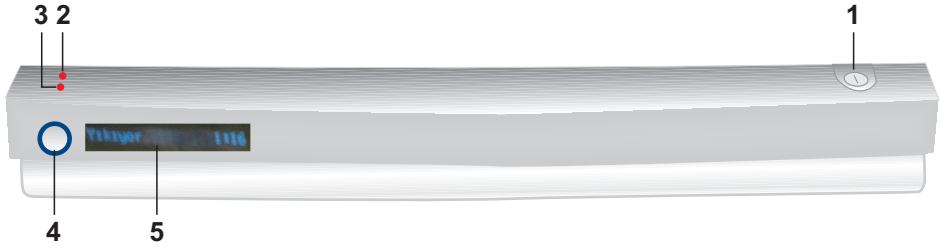


Upper Basket Drawer (depends on the model)

You can easily place additional desert spoons, small forks and knives into the drawer installed to the upper basket of your machine.



5 Starting Your Machine



1. On/Off Button
2. Salt Indicator
3. Rinse Aid Indicator
4. Start/Pause/Cancel Button
5. Display

1. On/Off Button

It is used to power on the machine.

2. Salt Indicator

It is used to indicate that the salt in the salt container has depleted. Refill the salt container with salt again when the indicator lights up (See. Adding Salt).

3. Rinse Aid Indicator

It is used to indicate that the rinse aid in the rinse aid container has depleted. If you want to use rinse aid, refill the rinse aid container with rinse aid again when the indicator lights up (See. Adding Rinse Aid).

4. Start/Pause/Cancel Button

It is used to startup, pause or cancel the program.

5. Display

It shows the program steps, time remaining to the end of the program and warning messages.

Language Selection

- Press the On/Off button to turn on your machine when its door is open. Then, press the Start/Stop button for 10 secs.
- “Settings” will be displayed and countdown will start from 10 secs.
- You will enter in the “Settings” menu at the end of the countdown and the language selection menu “Language” will be displayed.
- The default language will be shown on the machine after you have pressed and held the Start/Stop button for 5 secs.
- Proceed by pressing the Start/Stop button to see the other languages.
- Press and hold the Start/Stop button for 5 secs when the language you would like to select appears on the screen. “Saved” will be displayed.
- Turn off the machine by pressing the On/Off button to exit the language selection menu.
- Turn on your machine by pressing the On/Off button to return to the washing display.

NOTE: The key lock will not be activated when the door is open

and program cancellation will not be possible.

Starting Your Machine

- Open the tap.
- Plug the mains plug into the wall socket.
- Open the door.
- Press On/Off button.
- Check if the salt and rinse aid indicators light and add salt and/or rinse aid if needed.
- Place the dishes.
- Check if the upper and lower impellers rotate freely.
- Put sufficient amount of detergent in the detergent dispenser and close its lid.
- Start the program by pressing Start/Pause/Cancel button.

WARNING:

Pay attention not to open the door of the machine when it is running. Stop the machine by pressing Start/Pause/Cancel button if you have to open the door. Then, open the door. There may be a rush of vapor when you open the door of your machine. Be careful. Close the door and press Start/Pause/Cancel button again. Program will resume running.

- Key lock will be activated 30 seconds after the program starts and "Key Lock Activated" will be displayed.
- Energy saving system will be activated 90 seconds after the program starts and the display is dimmed. If you touch the button again, display brightness returns to its original status.
- "End" will be displayed when the program is over. The amount of

water and energy consumed will be displayed consecutively.

- Press the On/Off button to turn off your machine when the program is over.
- Close the tap.
- Unplug the mains plug from the wall socket.
- Leave your dishes in the machine for about 15 minutes after they are washed in order to have them cooled down. Your dishes will dry in a shorter time if you leave the door of your machine ajar during this period. **This will increase the drying effectiveness of your machine.**

Selecting the Reference Program

- Press the On/Off button to turn on your machine when its door is open. Then, press the Start/Stop button for 10 secs.
- "Settings" will be displayed and countdown will start from 10 secs.
- You will enter in the "Settings" menu at the end of the countdown and the language selection menu "Language" will be displayed.
- "Ref. Program" will be displayed when you press the Start/Stop button once.
- Press and hold the Start/Stop button for 5 secs to enter the reference program menu.
- Press the Start/Stop button to display ON or OFF options.
- Press and hold the Start/Stop button for 5 secs to save your selection. "Saved" will be displayed.
- Turn off the machine by pressing the On/Off button to exit the menu.

- Turn on your machine by pressing the On/Off button to return to the washing display.
- When you press Start/Stop button, reference program will start.
- After wash cycle ends, if you want to run the reference program again, apply the same procedure.

Key Lock

Your machine is equipped with a key lock function in order to avoid anyone else but you, particularly the children, to interfere with and change the program flow while the machine is operating. Key lock also functions as a safety system that prevents you from performing accidental operations by pressing a button unintentionally when you want to add or take out dishes from the machine.

Key lock is activated automatically in the following conditions:

- 30 seconds after the machine is turned on by pressing the On/Off button and the program is started
- If the program does not start within 30 seconds after the machine is turned on by pressing the On/Off button
- If you wait more than 30 seconds when the machine is stopped during washing

Key lock is deactivated automatically when the program is over: If you press the touch-key at the end of the program, machine will display the "Press to wash" message. If the machine is left to wait in this status, key lock will be activated after 30 seconds and "Key Lock Activated" will be displayed.

If you press the button when the key

lock is active, "Key Lock Active" is displayed and if you press the key for a second time, "Press for 5 sec" is displayed. You must press Start/Pause/Cancel key until the "Key Lock Deactivated" message is displayed to deactivate the key lock.

When you keep the Start/Pause/Cancel key pressed, the countdown of 5 seconds starts and the following messages are displayed consecutively:

"Unlock the keylock 5"
 "Unlock the keylock 4"
 "Unlock the keylock 3"
 "Unlock the keylock 2"
 "Unlock the keylock 1"
 "Keylock deactivated"

Key will remain locked if you release the key before the "Keylock deactivated" is displayed. Key lock is deactivated when the "Keylock deactivated" message is displayed.

You can press the Start/Pause/Cancel key to perform the operation you want after the key lock is deactivated.

Stopping the machine

Deactivate the key lock first if you want to add/take out dishes to/from the machine before determining the level of washing. Then, you can stop the washing by pressing the Start/Pause/Cancel key again. In this, case, following messages will displayed consecutively:

"Paused"
 "Press to continue"

Press the Start/Pause/Cancel button again to deactivate the key lock and resume the program if the key lock is

activated after you have completed your operation.

Canceling a program

You need to perform a canceling operation if you want to end a program before it is over. To cancel a program:

Deactivate the key lock if it is active. "Paused" is displayed if you press the Start/Pause/Cancel key when the key lock is deactivated. If you continue to keeping the Start/Pause/Cancel key pressed, the countdown of 5 seconds starts and the following messages are displayed consecutively:

"Cancel 5"

"Cancel 4"

"Cancel 3"

"Cancel 2"

"Cancel 1"

"Cancel"

Release the key at the end of the countdown.

The message

"Cancelling"

is displayed for 45 seconds during the discharge operation.

"Cancelled"

will be displayed when the operation is completed. In this case, you can turn off your machine with the "On/Off" key or make it ready for the next cycle by pressing the "Start/Pause/Cancel" button.

WARNING:

There might be residues of detergent

or rinse aid in the machine and/or on the pieces already washed depending on the step the cancelled program was in at the end of such cancellation.

Program Step Follow-up

You can follow up the washing step of the current program by means of the warning notes on the display.

"Washing"

is displayed for the steps at which the food remnants are removed or a washing with detergent is made.

The degree of soiling of the dishes is determined by measuring the degree of soiling in the washing water by means of the cleanliness sensor.

The cleanliness sensor determines what to do in the following steps by measuring the degree of soiling of the water regularly. Washing temperature, washing time, washing pressures and water amount is adjusted on basis of the information received from the cleanliness sensor. This program is developed to avoid unnecessary water and energy consumption by washing the dishes in the most appropriate conditions for the degree of soiling of the dishes.

"Analysing"

is displayed during the decision steps.

The analyse is made during the first 10-30 minutes at the beginning of the washing depending on the temperature of the mains water, dissolution rate of the dirt and level of soiling of the dishes. Analysis takes less time for lightly soiled dishes, but more time

for heavily soiled dishes. Cleaning operation continues during the analysis steps.

In this stage, the animation on the screen, consisting of boxes indicates that the machine is in the decision period and analysing the correct program structure.

Filled boxes on the display indicate the degree of soiling. One filled box indicates that the dishes are very lightly soiled while five filled boxes indicate that the dishes are heavily soiled. You can find information about the program flows that can be followed depending on the degrees of soiling in Program Data and Average Consumption Values Table.

The amount of dishes that you load into your machine is determined with the “load sensor” and this helps to determine the amount of water to add. The amount of dishes do not affect analysis. It only affects the time that takes to analyse the degree of soiling of the dishes and the program flow that will be followed according to the analysis result.

“Programme determined”

is displayed upon completion of the analysis and the program selected on basis of the degree of soiling is displayed.

WARNING:

You must not add dishes into the machine after the program is determined. Washing program is determined on basis of the degree of soiling of the dishes in the machine.

Adding dishes into the machine after the washing program is determined can prevent to make an effective washing.

Following messages are displayed consecutively to indicate the program steps that are followed and the time remaining to the end of the program after the program structure is determined:

“Washing	hours:minutes”
“Rinsing	hours:minutes”
“Drying	hours:minutes”

The remaining time is displayed in “hours:minutes”. For example, 1:10 on the display means 1 hour and 10 minutes. The time will countdown with steps of one minute, allowing to follow-up the time remaining to the end of the program.

End of program will be indicated by an audio signal and the “End” message. Amounts of water and energy consumed are indicated in liters and kWhours respectively.

Note: “Very Lightly Soiled” program structure will be activated automatically when you want to take the dust on your clean kitchenware in the chine cabinet or in the kitchen. This program structure is the “Fastest” one of the 5 program structures on the machine, defined on basis of the degree of soiling. In this machine, equipped with a fast program “A” drying level, the program time is longer then the other machines and models since they do not have “drying step” in fast programs.

Warning Messages

Your machine will give you some important feedbacks while it is running. You can find what to do from the following table when these informative messages are displayed.

Door is Open	Close the door of your machine.
No Water	<ol style="list-style-type: none">1. Make sure that the water is not cut-off.2. Make sure that the tap is open.3. Call service if water is not cut-off and the tap is open.
Call Service	It is possible that your machine has taken in plenty of water due to various reasons. Call the service.
Pls Check the Filter	Remove your filter and clean it under running water. If there is remained water in the tank, perform the Cancellation and have the water in the tank drained. Clean any leftover deposits that have piled up in the bottom of the tank, blocking the water path. If the interior of your machine is dirty, run it with or without detergent while it is empty. Please always make sure that you scrape the large food remnants on your dishes into a dustbin using a fork, paper towel or a napkin before placing them into the machine. Clean your machine regularly by using machine cleaners that are specifically produced by the detergent producers.

Program Data and Average Consumption Values Table

Cleanliness Sensor will detect the degree of soiling of the water during washing and automatically determine the appropriate temperature, time and water quantity. Your machine can run one of the 5 different program structures based on the degree of soiling of the dishes.

Program	AUTO 40 °C-70 °C				
	Quick Program	Normal Program	Economic Program *	Daily Program	Intensive Program
Degree of Soiling	Very Lightly Soiled	Lightly Soiled	Soiled	Very Soiled	Heavily Soiled
Degree of Soiling Indication	■□□□□	■□□□□	■□□□□	■□□□□	■□□□□
Type of Dishes	Applied automatically for dishes with large food remnants that are cleaned under running water or scraped with a napkin to be washed immediately, or for dishes that you would like to remove the dusts on.	Applied automatically for dishes that are not pre-cleaned but washed immediately, or for dishes that are kept waiting after the large food remnants are removed.	Applied automatically for dishes that are not pre-cleaned and not washed immediately.	Applied automatically for heavily soiled dishes that are not pre-cleaned and kept waiting for a long time.	Applied automatically for heavily soiled and oily dishes, oily saucepans and frying pans.
Washing Temperature	40 °C	55 °C	50 °C	65 °C	70 °C
Program Time (min.)**	62-80	82-105	124-155	127-163	109-125
Water Consumption (lt)	10,4	10,4	10	14,2	16,2
Power Consumption (kWh)	1,10	1,14	1,05	1,42	1,50

Average consumption values are valid for 15°C water inlet temperature and 21°C ambient temperature. Values stated on the markings of the product or in the printed documents accompanying the product are obtained in the laboratory on basis of the relevant standards. These values may change according to the usage and ambient conditions of the product.

*Salt and rinse aid compartments must be full according to the Control institute reference program application norm EN 50242.

** The first period indicates the time remaining after the program is determined and the second period indicates the total time elapsed after the program has started.

6 How to clean your dishwasher

Cleaning your machine at regular intervals ensures longer product life and reduces the risk of recurring problems.

Warning

Always unplug the machine and turn off the water supply before cleaning. Use a gentle household cleaner for the outside and the door seals. Clean the control panel only with a moist cloth and clear water.

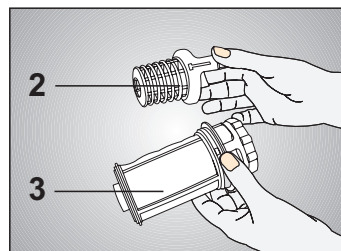
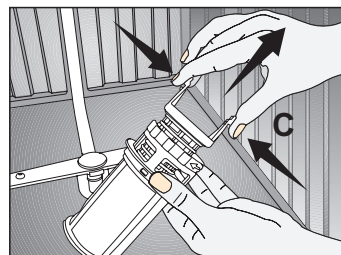
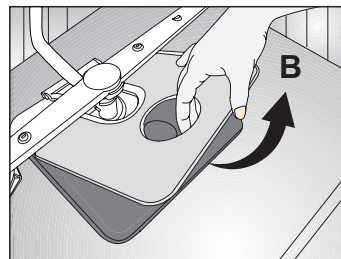
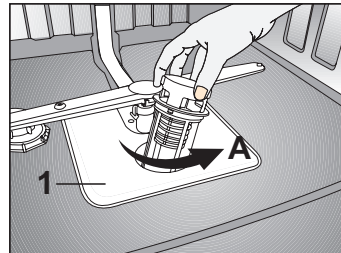
Cleaning the filters

Clean the filters and the spray arms regularly. A dirty machine will have a negative effect on the cleaning results.

1. Main filter
 2. Coarse filter
 3. Micro filter
-
1. Remove the lower basket from the machine.
 2. Turn the coarse filter to the right and pull it out in an upward direction (A).
 3. Pull out the main filter (B).
 4. Press on the two tongues of the coarse filter and remove the micro filter (C).
 5. Clean the filters thoroughly under running water. Use a brush if necessary.
 6. Replace main filter.
 7. Replace the micro filter and the coarse filter into the main filter. Twist it clockwise until it clicks in.

Warning

Do not operate your dishwasher without a filter. Ensure that your filters are correctly installed. Clean the filters regularly.



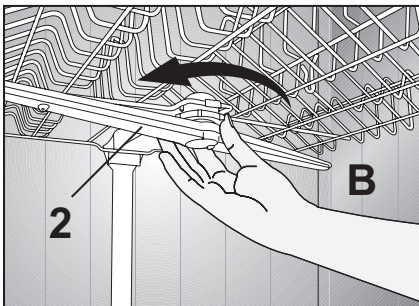
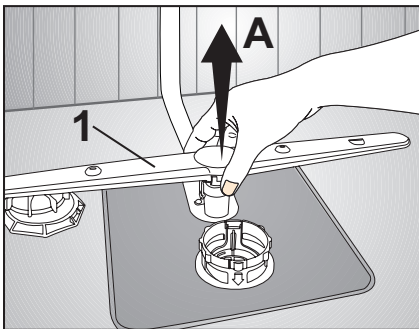
Cleaning the spray arms

Dirt or calcium residue may block the nozzles on the spray arms. For this reason, regularly check the spray nozzles.

1. Lower spray arm
 2. Upper spray arm
1. Remove the lower basket from the machine.
 2. Pull off the lower spray arm in an upward direction (**A**).
 3. Loosen the fastening screw of the upper spray arm and pull off the spray arm (**B**).
 4. Clean the spray arms under running water.
 5. Replace the spray arms.

Warning

Ensure that the fastening screws are screwed tight.



Cleaning the filter inset in the water inlet hose (depending on the model)

Dirt from deposits in the water pipes is prevented by a filter in the water inlet hose. Check the filter and the water inlet from time to time.

1. Close the water tap and unscrew the water inlet hose.
2. Take out the filter and clean it under running water.
3. Replace the cleaned filter.
4. Fasten the water inlet hose to the water tap again.

7 Troubleshooting:

What to do if the dishwasher will not run

- Check that the mains plug is properly connected.
- Are all fuses working?
- Is the water supply fully turned on?
- Is the dishwasher door closed firmly?
- Have you pressed the On/Off button?
- Is the filter on the water intake and dishwasher clogged?

The cleaning results are unsatisfactory



Uncleaned Dishes

Disorderly placement

- Load your dishes as described in the manual.

Program selection

- For products with program selecting feature, choose a longer program that washes in higher temperatures.

Blocked impellers

- Prior to starting the program, ensure by turning by hand that the upper and lower impellers are freely rotating.

Clogged filters

- From time to time, remove the complete filter system as shown in the manual and wash it under flowing water.

Misplaced or displaced filters

- After washing the filter system, replace them as shown in the manual.

Clogged impeller holes

- Take out and clean the impellers from time to time as shown in the figure.

Overloading the baskets

- Do not overload the baskets in excess of their capacity

Detergent kept under unsuitable conditions

- If you are using powder detergents, do not store them in humid places after you open their boxes. Keep them in a closed container, if possible. For ease-of-storing, we recommend you to use tablet detergents.

Inadequate detergent

- If you are using powder detergents, adjust the amount of detergent according to the soiling degree of your dishes and/or program definitions. We recommend you to use tablet detergents for optimum results.

Inadequate rinse aid

- Increase rinse aid setting or add rinse aid into rinse aid compartment.

Unsealed detergent dispenser lid

- Always ensure that the detergent compartment lid is closed tightly after every detergent filling process.

Drying

Disorderly placement

- Load your dishes as described in the manual.

Inadequate rinse aid

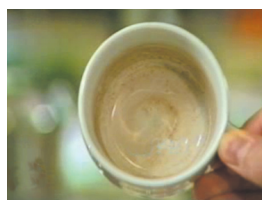
- Increase rinse aid setting or add rinse aid into rinse aid compartment.

Unloading the machine right after dishwashing

- Do not unload your dishwasher right after washing process is completed. Slightly open the door and wait for evacuation of the inside steam for a while. Unload the dishes after the pieces cool down to a touchable level. Start unloading process from the lower basket.

Program Selection

- For products with program selecting feature, choose a longer program that washes in higher temperatures.



Tea, Coffee And Lipstick Stains

Program Selection

- For products with program selecting feature, choose a longer program that washes in higher temperatures.

Detergent kept under unsuitable conditions

- If you are using powder detergents, do not store them in humid places after you open their boxes. Keep them in a closed container, if possible.
- For ease-of-storing, we recommend you to use tablet detergents.

Usage of silverware-kitchenware with corrupted surface quality

- Silverware or kitchenware with corrupted surface quality should not be washed in dishwashers.



Lime Stains, Hazy Look

Inadequate rinse aid

- Increase rinse aid setting or add rinse aid into rinse aid compartment.

Insufficient water softening

- In products equipped with water softening setting, water softening should be properly set in accordance with the hardness of the supply water. Add salt into the salt container, if necessary.

Salt leakage*

- Use the supplied salt funnel while filling in softening salt. Make sure that the salt box cover is tightly closed after finishing the filling process. Run a washing program to clean up the salts spilled in the machine. Recheck the salt box cover after the program is completed.

Metallic Look In Bluish Rainbow Color

Excessive rinse aid

- Lower rinse aid setting.



Hazy, Milky-Dish Look And Bluish / Rainbow Color Appearance In Glassware When They Are Hold Against Light

Glass corrosion due to soft water

- In products equipped with water softening setting, water softening should be properly set in accordance with the hardness of the supply water. If your supply water is soft (<5dH), do not use salt. For products with program selecting feature, choose programs that wash in higher temperatures (e.g. 60-65°C).



Scratch / Break In Glassware

Kitchenware containing Aluminum

- Kitchenware that contains aluminum should not be washed in dishwashers.

Salt leakage*

- Use the supplied salt funnel while filling in softening salt. Make sure that the salt box cover is tightly closed after finishing the filling process. Run a washing program to clean up the salts spilled in the machine. Recheck the salt box cover after the program is completed.

Low water softening setting, inadequate salt*

- In products equipped with water softening setting, water softening should be properly set in accordance with the hardness of the supply water. Add salt into the salt container, if necessary.

Detergent kept under unsuitable conditions

- If you are using powder detergents, do not store them in humid places after you open their boxes. Keep them in a closed container, if possible. For ease-of-storing, we recommend you to use tablet detergents.

Overloading the baskets

- In order to avoid scratches and breaks in glasses and other glass tableware because of collision with each other during washing process arising from their placement, do not overload the baskets in excess of their capacity.



Rusts, Blackening And Corruption Of Surface

Unsealed closing of the salt box cover*

- Salt may cause oxidation on metal surfaces. Use the supplied salt funnel while filling in softening salt. Make sure that the salt box cover is tightly closed after finishing the filling process. Run a washing program to clean up the salts spilled in the machine. Recheck the salt box cover after the program is completed.

Grounding line

- Check if your dishwasher is connected to the actual grounding line. Otherwise, the static electric created in the dishwasher may remove the protective coating on metal surfaces and cause blackening and corruption.



Detergent Remains In The Detergent Dispenser

Damp detergent compartment

- Make sure that the detergent dispenser is well dried prior to filling it with detergent.

Putting detergent in the detergent dispenser long before washing

- Take care that detergent is put shortly before startup of washing.

Preventing opening of detergent dispenser lid during washing

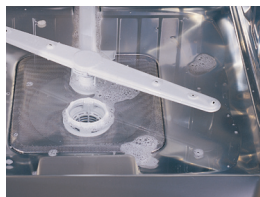
- Ensure that the lid of detergent dispenser is not opened during loading the dishes so that entering of water from the impellers into it is prevented.

Detergent kept under unsuitable conditions

- If you are using powder detergents, do not store them in humid places after you open their boxes. Keep them in a closed container, if possible. For ease-of-storing, we recommend you to use tablet detergents.

Clogged impeller holes

- Take out and clean the impellers from time to time as shown in the figure.



Water Remained In The Dishwashing Compartment After Washing

Clogged filters

- From time to time, remove the complete filter system as shown in the manual and wash it under flowing water.

Blocking / twisting of drainage hose

- Connect the drainage hose as described in the manual.

Odour

Odor of new dishwasher

- A new dishwasher has a peculiar odor. It will fade out after a couple of washing.

Clogged filters

- From time to time, remove the complete filter system as shown in the manual and wash it under flowing water.

Leaving the dishes in the dishwasher for a long time

- If you are not going to run your dishwasher immediately, load the dishes into your machine after scraping the excessive soil on them and do not tightly

close the door of the machine. Every other day, perform washing without detergent in the shortest program for products with program selecting feature.



Foam

Loading the dishes into the dishwasher without completely drying after washing them with hand-wash detergent.

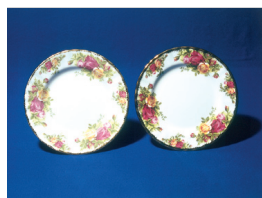
- Hand-wash detergents do not contain antifoam. There is no need to hand-wash the dishes with detergent before loading the dishes into the machine. Scraping the coarse soil on the surfaces with a tissue paper or fork will be sufficient.

Spilling rinse aid in the machine while filling

- Take care that rinse aid is not spilled in the machine when you are filling it. Clean any spilled amount with the help of a tissue paper/towel.

Leaving the rinse aid lid open or not closing it

- Rinse aid compartment should always be closed as shown in the manual after it is filled with rinse aid.



Erasing Of Decorations

Usage of decorated glasses and porcelains

- Decorated glasses and decorated luster porcelains are not suitable for dishwasher washing. Manufacturers of glassware and porcelain tableware items do not recommend washing these items in the dishwashers either.

*: In products with a salt container

Service

If your appliance ever malfunctions, check the notes and advice given in the operating manual.

If this does not fix the problem, our customer service staff are available to assist you.

